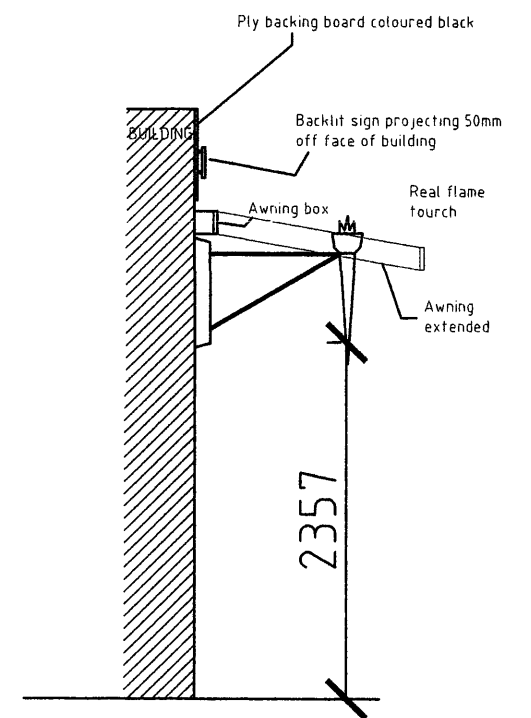
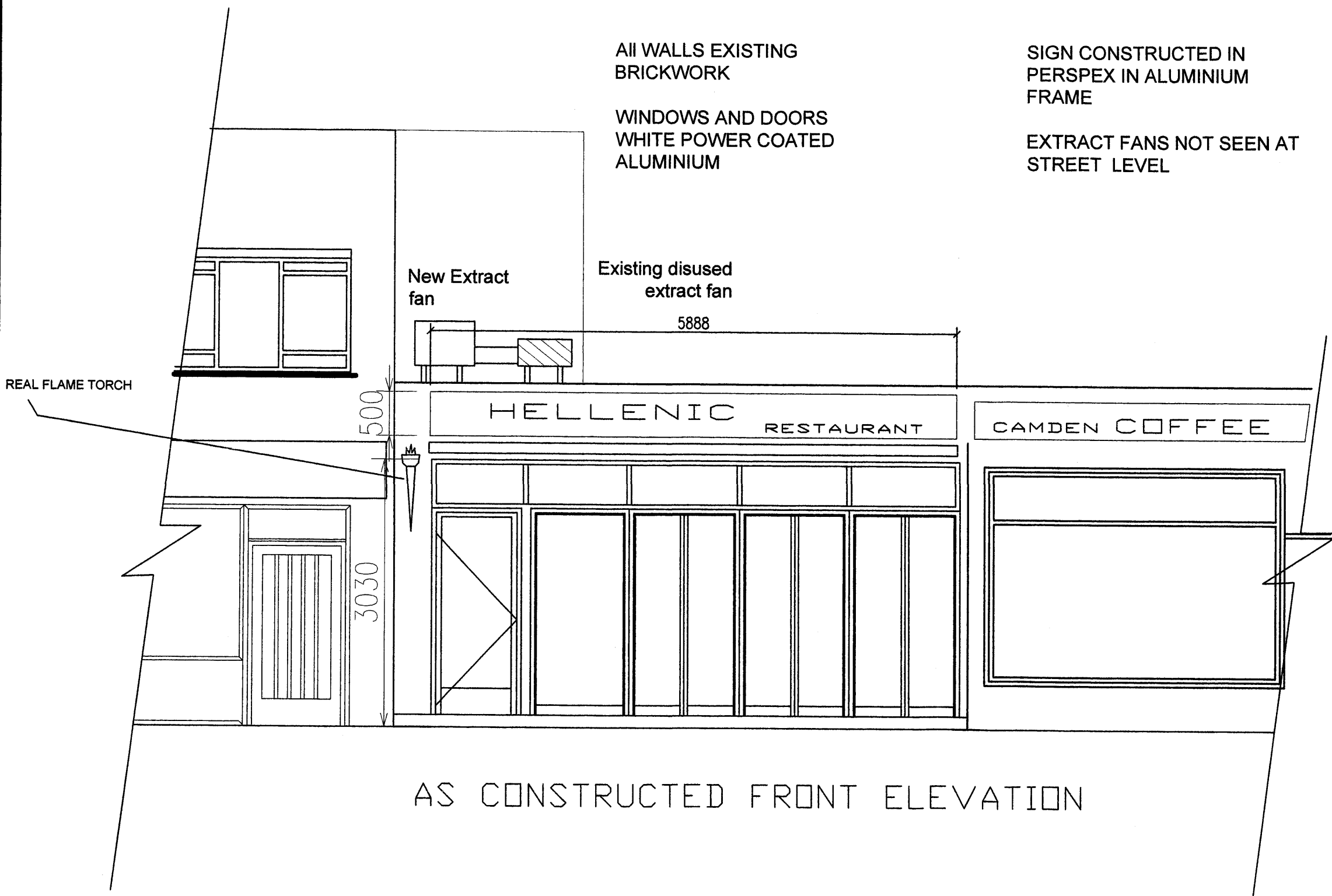


ALL WALLS EXISTING
BRICKWORK

SIGN CONSTRUCTED IN
PERSPEX IN ALUMINIUM
FRAME

WINDOWS AND DOORS
WHITE POWER COATED
ALUMINIUM

EXTRACT FANS NOT SEEN AT
STREET LEVEL



AS CONSTRUCTED FRONT ELEVATION

PART SECTION
THROUGH FRONT

PROJECT	TITLE	SCALE	DATE	DRAWING NO.	REVISION
9A DELANCEY STREET NW1	BASEMENT EXTENSION OF EXISTING RESTURANT	1:50	22/12/2008	2	F