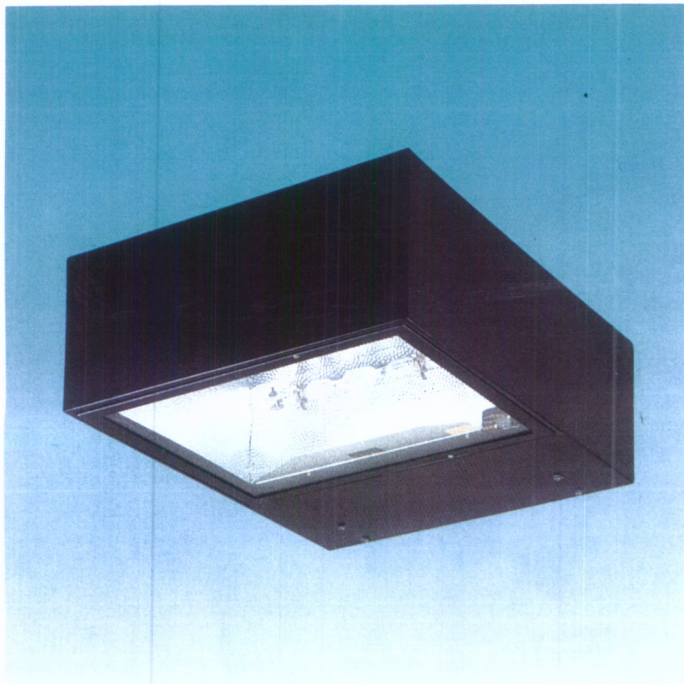


Photograph courtesy of LTL Limited

LTL contracts
Lighting Specialists

54 Lower Weybourne Lane
Farnham
Surrey GU9 9HP
Tel: (01252) 331456
Fax: (01252) 331246



MKF207 tennis luminaire

High-intensity sports floodlight specifically designed for column mounting at relatively low mounting heights, to provide glare-free illumination of principal and total playing areas to levels recommended by the International Tennis Federation.

Main applications

- Floodlighting of recreational tennis courts

Features

- 1kW MHN-TD metal halide lamp for superb-quality white light.
- Asymmetric distribution from precision optics virtually eliminates sky glare and permits glare-free illumination at heights as low as 8-10m.
- Integral control gear ensures compatibility and simplifies installation.

- Lamp and gear compartments both sealed to IP 54.
- Easy lamp changing; electrical isolation of metal halide luminaire when front cover is opened.
- 'Green' product in line with current planning requirements.

Materials and finish

Body: Diecast aluminium
Reflector: High-purity aluminium.
Gear tray: Mild steel, zinc plated.

Installation and mounting

Direct mounting on horizontal or vertical surfaces.
Optional mounting bracket permits single or twin mounting on standard 76mm column.
Terminal block for connection to 240V 50Hz Class I supply.

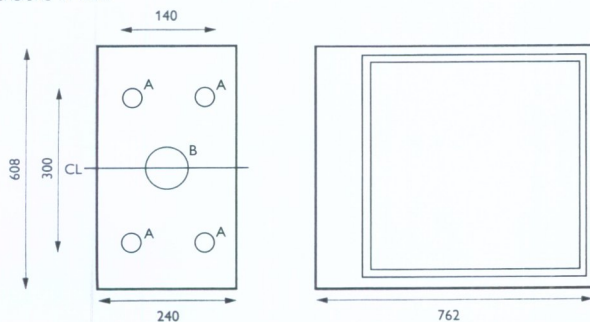
Accessory

Column-mounting bracket



Ordering number	Lamp	Weight kg
MKF207	1kW MHN-TD	26

Dimensions in mm

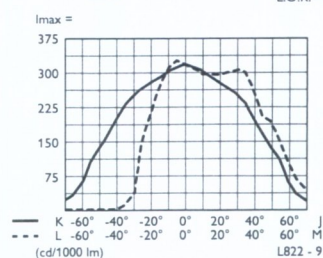


MKF207 Tennis Court Luminaire, 1000W MHN with integral gear.



Photograph courtesy of LTL Limited

MKF 207 1 x 1000W HPI TS
 $\frac{1}{2}$ Imax --- 1 x 1m
 --- L.O.R. =



Accessory
Single/twin mounting bracket for 76mm column:
ZKF207

