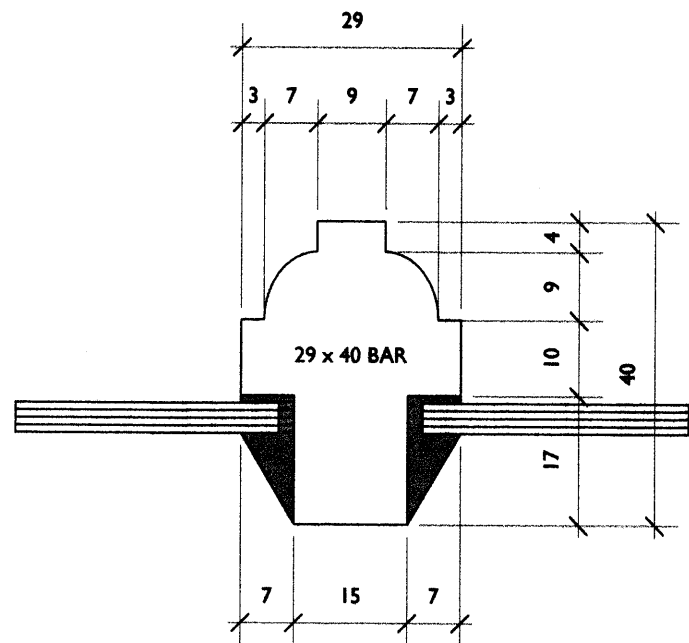


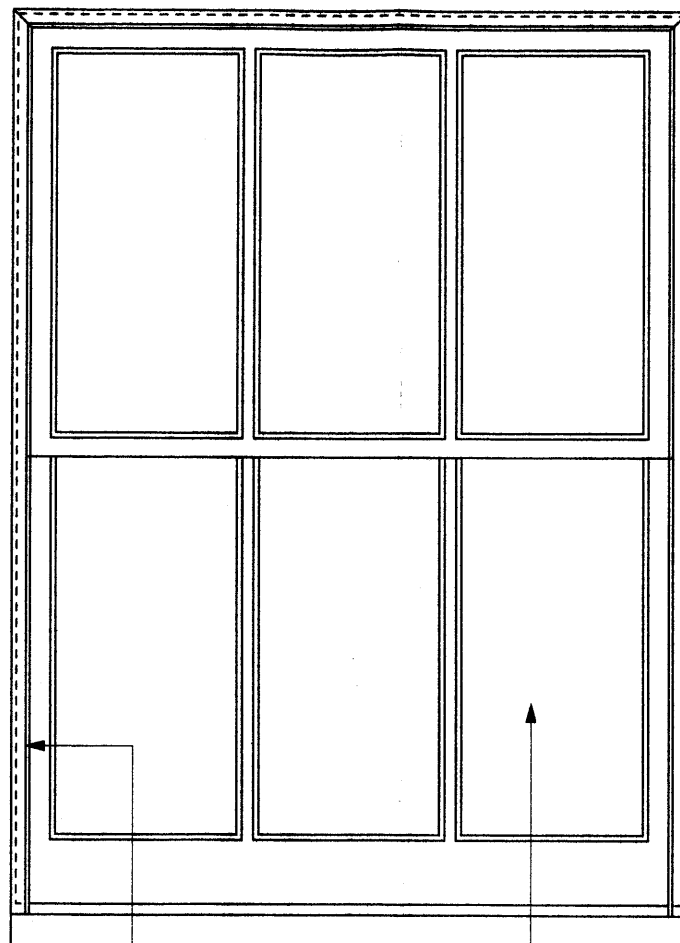


GLAZING BAR DETAIL - FULL SIZE



PROPOSED NEW GLAZING BAR DETAIL TO EXACTLY MATCH ORIGINAL ADJACENT SLIDING SASHES.

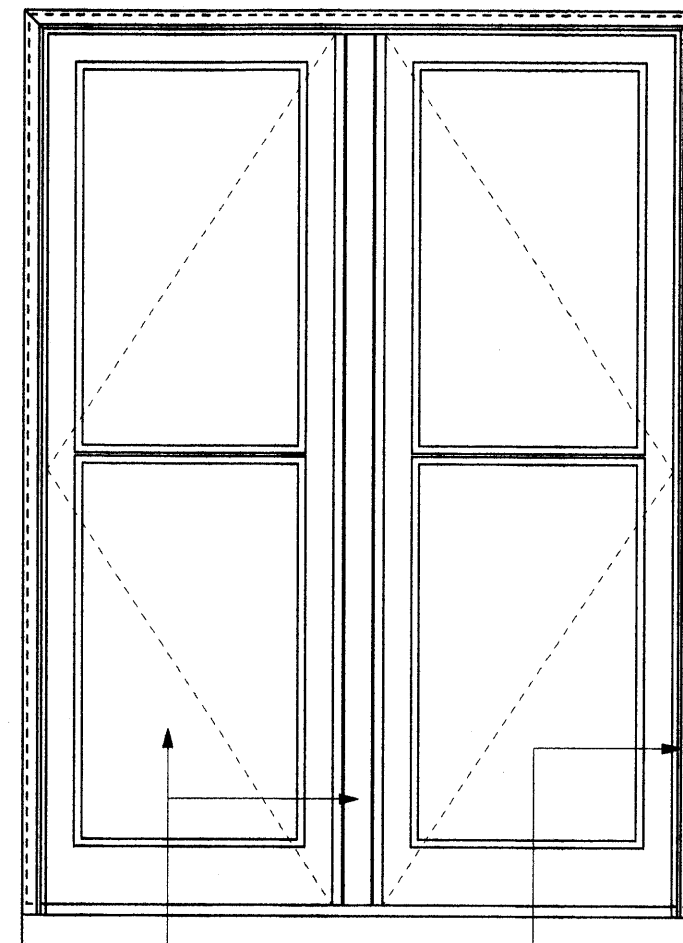
PROPOSED BATHROOM WINDOW - 1:10



PERIMETER OF ORIGINAL EXISTING SLIDING SASH FRAME WITH OVOLO PROFILE TO OUTER FACING.

NEW SLIDING SASHES TO BE FITTED WITHIN ORIGINAL SLIDING SASH FRAME DETAIL TO EXACTLY MATCH ORIGINAL ADJACENT SLIDING SASHES.

EXISTING BATHROOM WINDOW - 1:10



PERIMETER OF ORIGINAL EXISTING SLIDING SASH FRAME WITH OVOLO PROFILE TO OUTER FACING.

ORIGINAL SLIDING SASHES HAVE PREVIOUSLY BEEN REMOVED FROM ORIGINAL SLIDING SASH FRAME AND REPLACED WITH INFILL FRAME WITH SIDE HUNG CASEMENT WINDOWS.

Cox & Jones Ltd

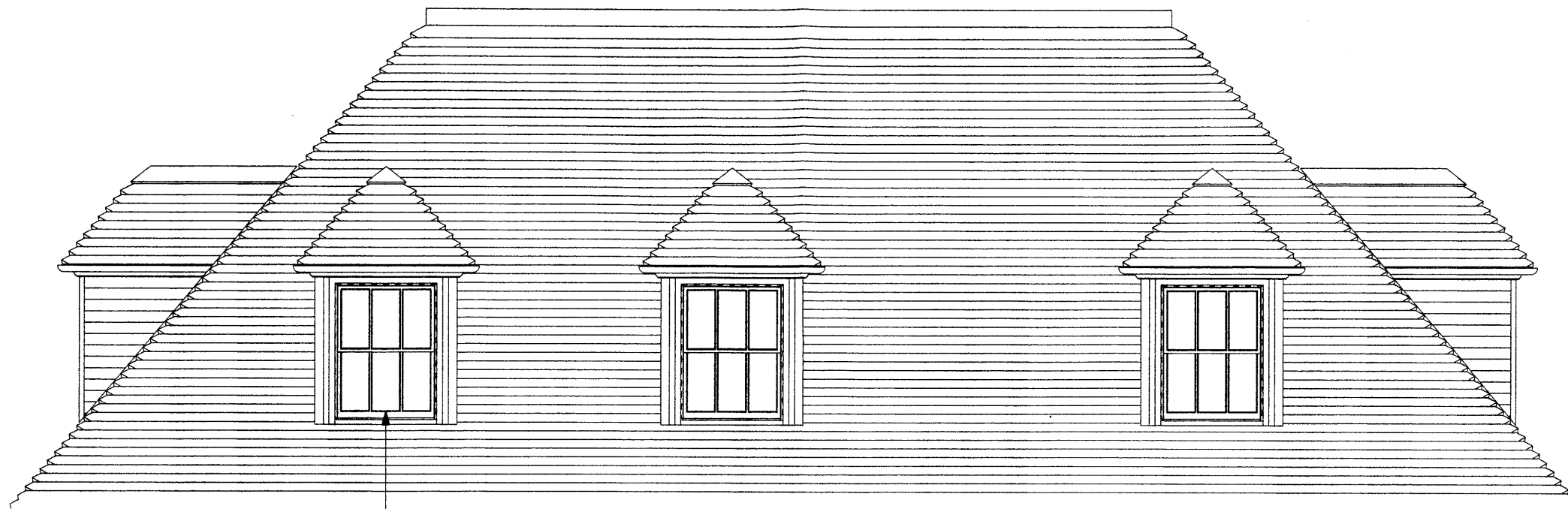
14 Donnington Rd Worcester Park Surrey KT4 8EN tel/fax +44(0)20 8330 7002 coxjones@btinternet.com
Bespoke Conservatory Specialists . Service & Maintenance . Architectural Services
Registered in England No.6127336

CLIENT: MR & MRS BEECROFT - 5 HAMPSTEAD HILL GARDENS
PROJECT: PROPOSED NEW BATHROOM SLIDING SASHES
DATE: MAY 2010 SCALE: 1:10 / 1:1 DWG NO: 1004 / D-02

CHIMNEY STACKS NOT SHOWN

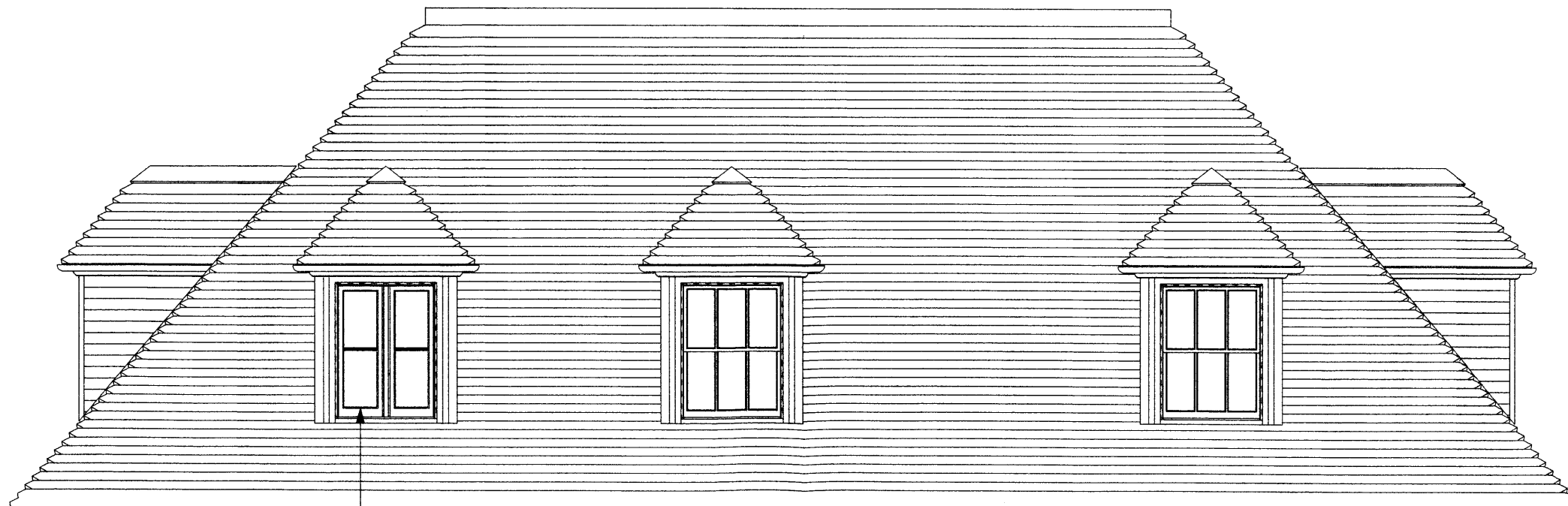


PROPOSED ROOF LEVEL REAR ELEVATION SHOWING BATHROOM WINDOW - 1:50



NEW SLIDING SASHES TO BE FITTED WITHIN ORIGINAL SLIDING SASH FRAME
DETAIL TO EXACTLY MATCH ORIGINAL ADJACENT SLIDING SASHES.

EXISTING ROOF LEVEL REAR ELEVATION SHOWING BATHROOM WINDOW - 1:50



ORIGINAL SLIDING SASHES HAVE PREVIOUSLY BEEN REMOVED FROM
ORIGINAL SLIDING SASH FRAME AND REPLACED WITH INFILL FRAME
WITH SIDE HUNG CASEMENT WINDOWS.

Cox & Jones Ltd

14 Donnington Rd Worcester Park Surrey KT4 8EN tel/fax +44(0)20 8330 7002 coxjones@btinternet.com
Bespoke Conservatory Specialists . Service & Maintenance . Architectural Services
Registered in England No.6127336

CLIENT: MR & MRS BEECROFT - 5 HAMPSTEAD HILL GARDENS
PROJECT: PROPOSED AND EXISTING ROOF LEVEL REAR ELEVATIONS
DATE: MAY 2010 SCALE: 1:50 DWG NO: 1004 / D-03