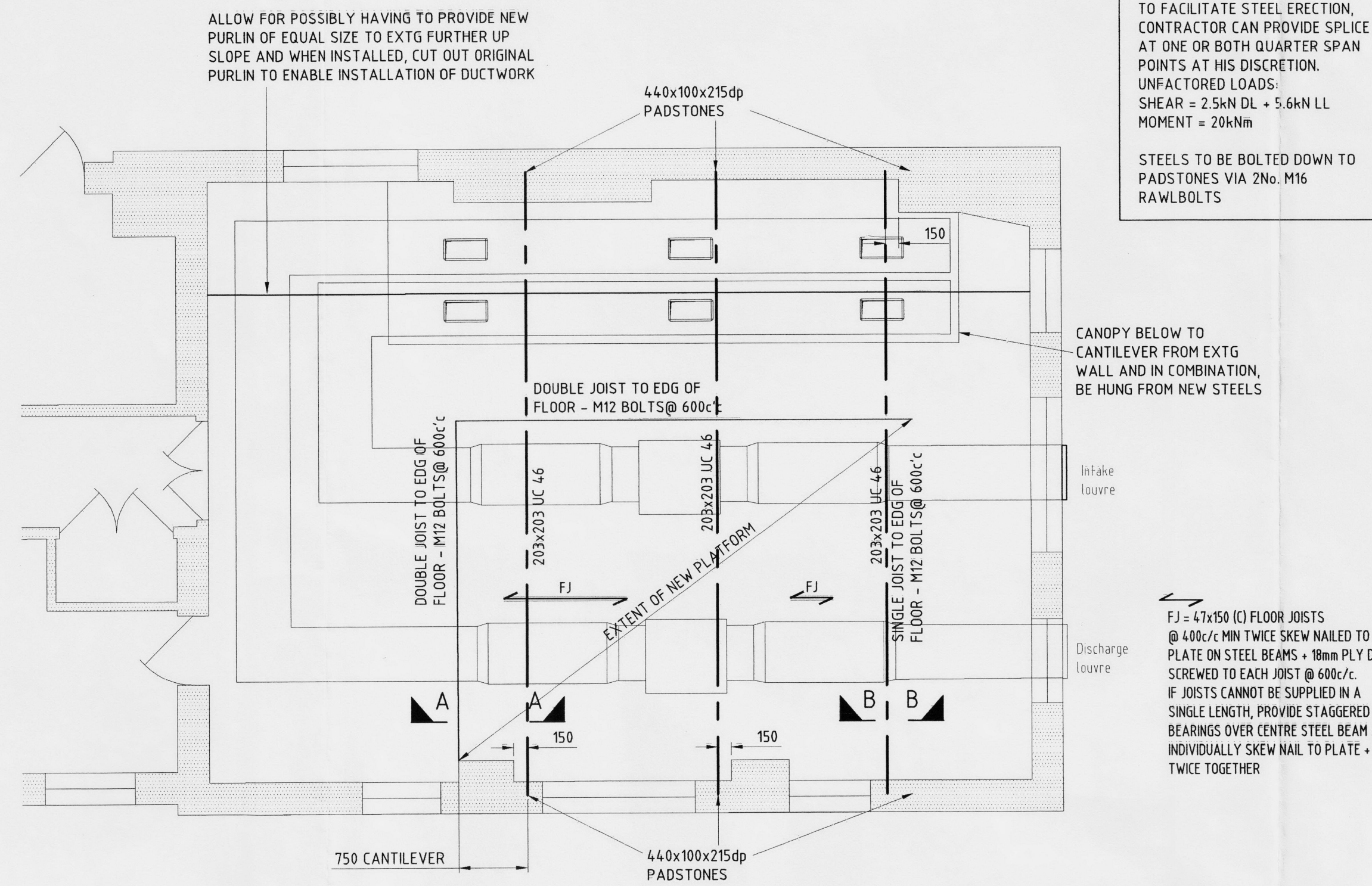




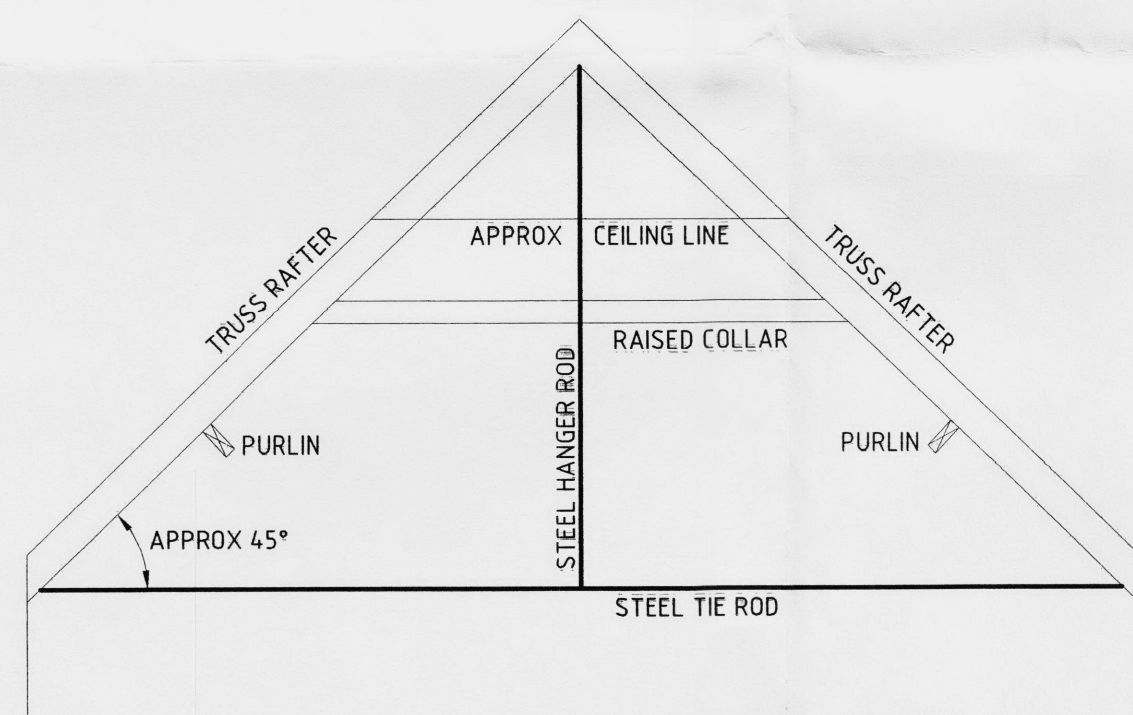
EXISTING STRUCTURAL PLAN

SCALE 1:50



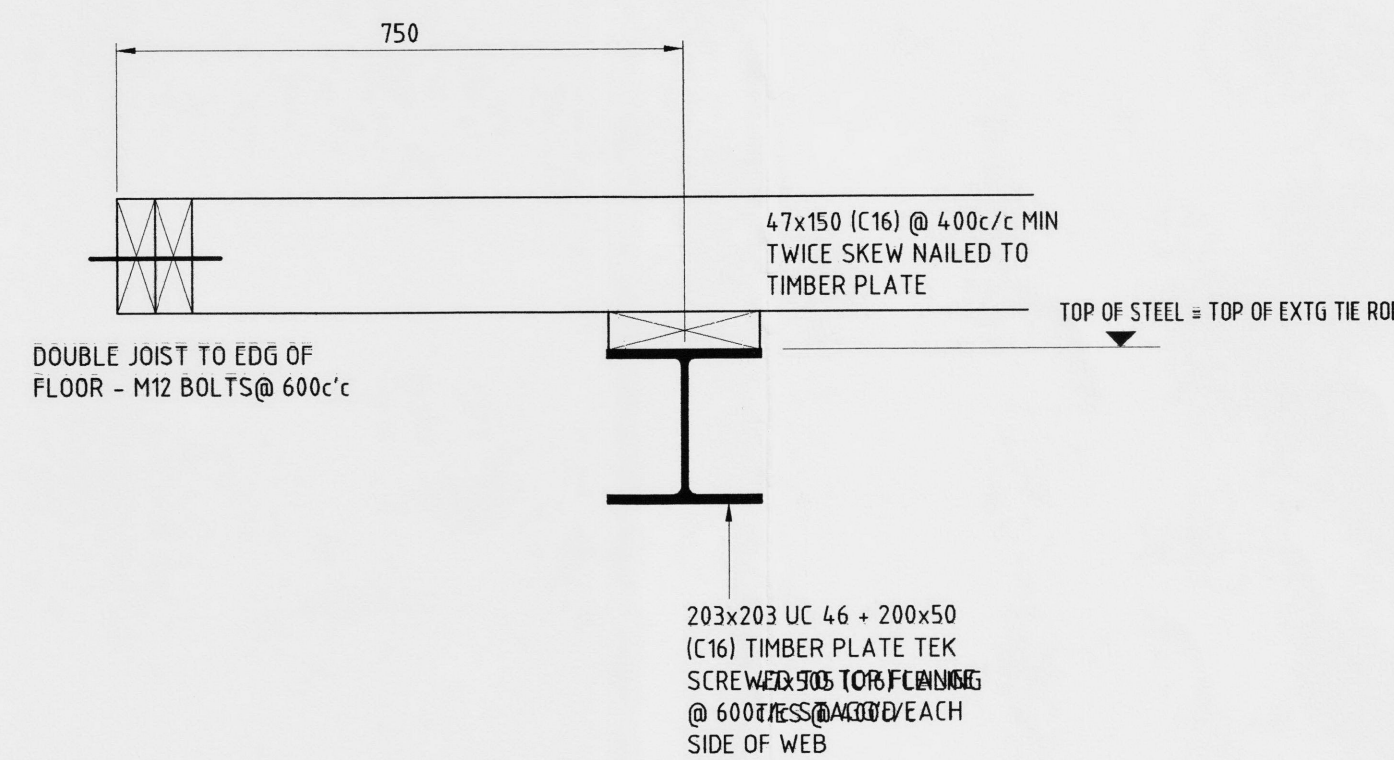
PROPOSED GROUND FLOOR PLAN

SCALE 1:50



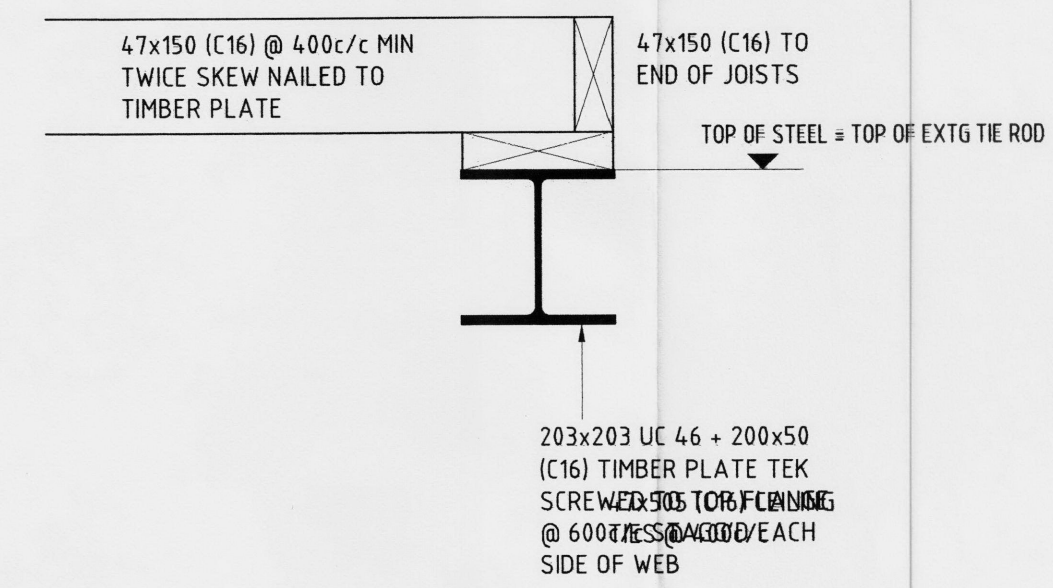
EXTG TRUSS - INDICATIVE SECTION

SCALE 1:50



SECTION A-A

SCALE 1:10



SECTION B-B

SCALE 1:10

NOTES

1. THIS DRAWING SHOULD BE READ IN CONJUNCTION WITH ALL STRUCTURAL DRAWINGS & THE SURVEYOR'S MECHANICAL & ELECTRICAL ENGINEERS DRAWINGS & THE SPECIFICATION.
2. ALL STEELWORK GRADE S275. PRIMED IN ACCORDANCE WITH THE SPECIFICATION. FIRE CASING TO ARCHITECTURAL SPECIFICATION.
3. CONTRACTOR TO SITE CHECK ALL EXISTING DETAILS/DIMENSIONS PRIOR TO PUTTING ANY WORK IN HAND. REFER ANY DISCREPANCY TO THE ENGINEER
4. CONTRACTOR TO PROVIDE TEMPORARY PROPS AS REQUIRED.
5. ALL TIMBER TO BE TANALISED.
6. ALL TIMBER/TIMBER JOINTS TO BE MINIMUM TWICE NAILED. EXISTING DETAILS/DIMENSIONS PRIOR

TENDER ONLY

Rev	Date	Amendment

KENNETH R. PAUL
Consulting Engineers
Structural & Civil

230 COLLEGE ROAD
COLLEGE TOWN
SANDHURST, G147 8JA

Tel - 01276 38353
Fax - 01276 38317
e-mail - mail@krpconsulting.co.uk

Client
LONDON BOROUGH OF CAMDEN

Job Title
**BECKFORD PRIMARY SCHOOL
CAMDEN
LONDON**

Drawing Title
**EXISTING STRUCTURE
PLUS
NEW PLATFORM DETAILS**

Scale 1:50, 1:10

Date MAY 10 Drawn by Checked by

Drng. No. 10103 / 01 Rev.