

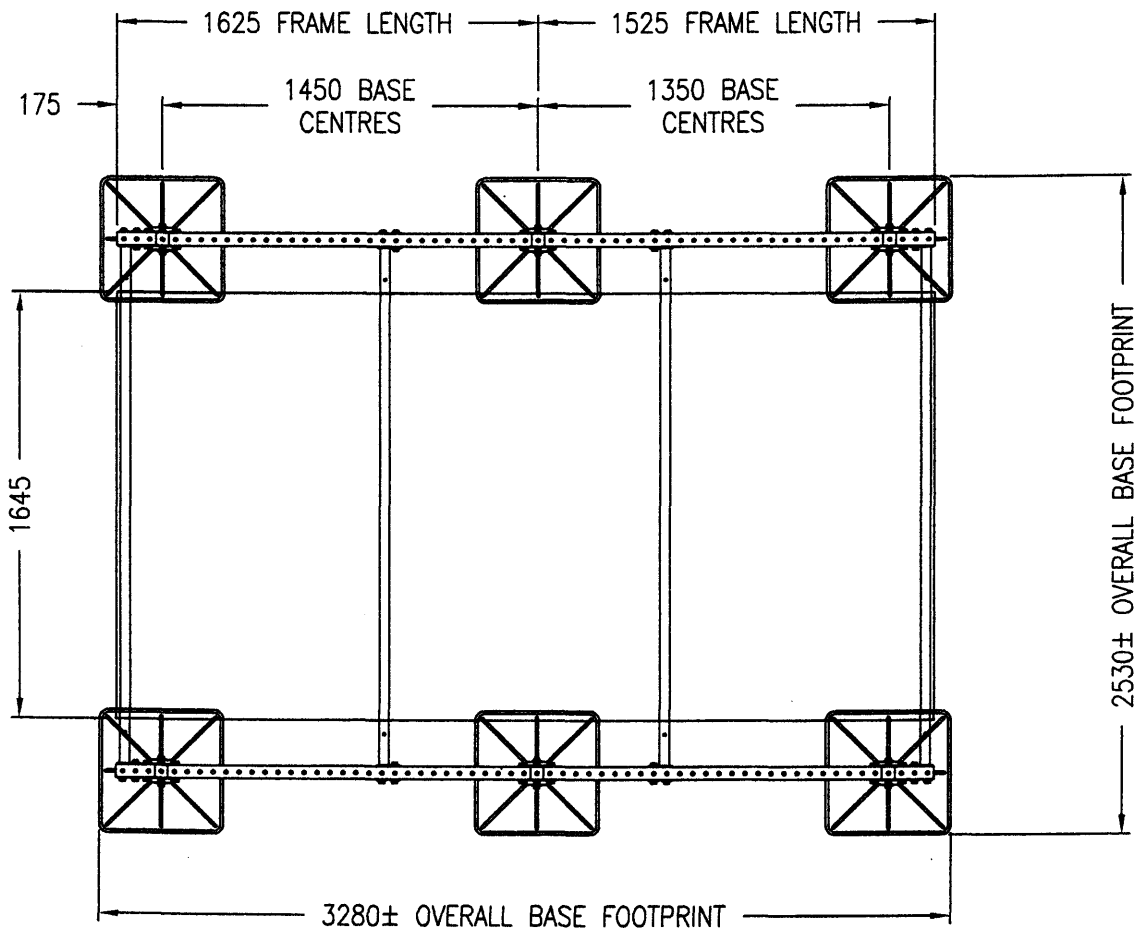
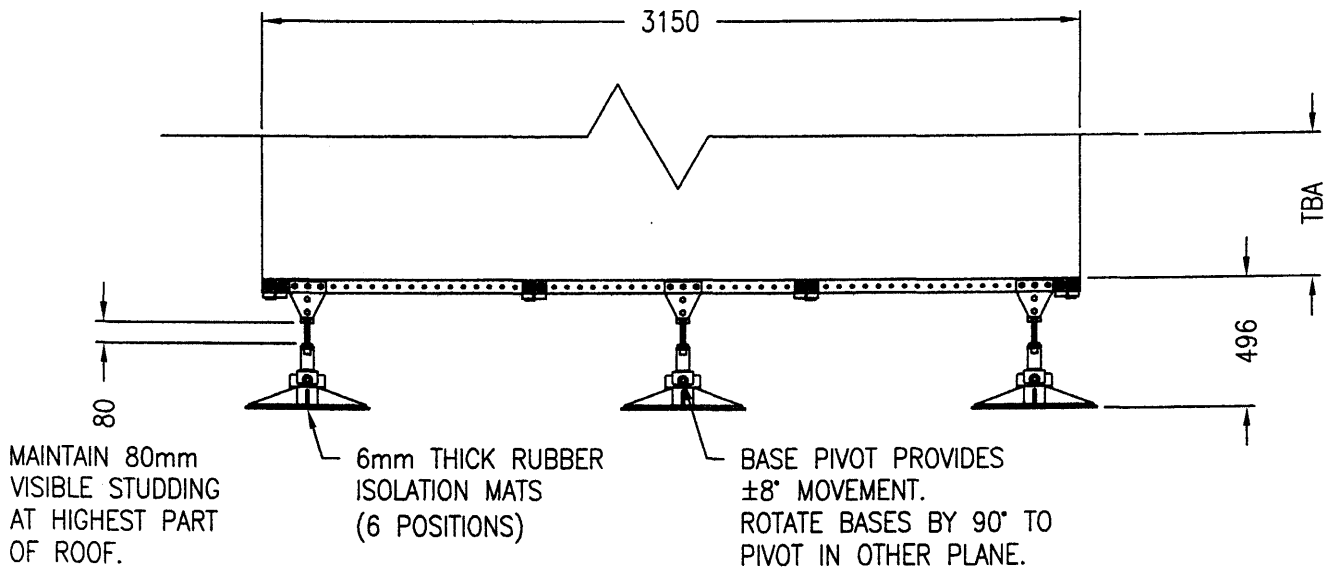
IMPOSED LOAD

AREA ENCLOSED BY BASES = 3.28m x 2.53m = 8.3m².

AHU WEIGHT 410kg + FRAME WEIGHT 120kg = 530kg EQUATES TO 5.2kN/m².

THEREFORE IMPOSED LOAD = 5.2kN/m²/8.3m² = 0.627kN/m²

DRAWING INDICATIVE ONLY
LAYOUT / SIZES & WEIGHTS
TO BE CONFIRMED BY CONTRACTOR



ROOF-PRO LTD

P.O.Box 505, Kempston
Bedford MK42 7LQ, England.

Tel: +44 (0)1234 843 790
Fax: +44 (0)1234 856 259

© ROOF-PRO 2009

PROJECT: RICHARD COBDEN SCHOOL

CLIENT:

PRODUCT: ROOF-PRO-SYSTEMS

DRAWN BY: J BRAY REVISED BY:

SCALE © A4

NTS

MAT'L: HOT DIP GALVANISED STEEL

DRAWING No:

REV