

2010/3580

25/6/10

Miah, Hifzal

From: Custom Cutters Tree Specialists Ltd [custom@cutters01.freerve.co.uk]
Sent: 25 June 2010 13:41
To: Planning and Public protection
Subject: Tree work application
Follow Up Flag: Follow up
Flag Status: Green
Attachments: Tree work application - Dancers End0001.pdf

Tree work application for Dancers End, Fitzroy Park, Highgate, N6.

Jenny – Custom Cutters
020 8365 7722

**Application for tree works: works to trees subject to a preservation order (TPO)
and/or notification of proposed works to trees in conservation areas (CA).
Town and Country Planning Act 1990**

Publication of planning applications on council websites

Please note that with the exception of applicant contact details and Certificates of Ownership, the information provided on this application form and in supporting documents may be published on the council's website.

If you have provided any other information as part of your application which falls within the definition of personal data under the Data Protection Act which you do not wish to be published on the council's website, please contact the council's planning department.

Please complete using block capitals and black ink.

It is important that you read the accompanying guidance notes as incorrect completion will delay the processing of your application.

1. Applicant Name and Address				2. Agent Name and Address			
Title:	<input type="text" value="MRS"/>	First name:	<input type="text"/>	Title:	<input type="text"/>	First name:	<input type="text"/>
Last name:	<input type="text" value="HILL"/>			Last name:	<input type="text"/>		
Company (optional):	<input type="text"/>			Company (optional):	<input type="text" value="CUSTOM CUTTERS TREE SPECIALISTS LTD"/>		
Unit:	<input type="text"/>	House number:	<input type="text"/>	House suffix:	<input type="text"/>	Unit:	<input type="text"/>
			<input type="text" value="46"/>			House number:	<input type="text"/>
House name:	<input type="text" value="DANCERS END"/>			House name:	<input type="text"/>		
Address 1:	<input type="text" value="FITZROY PARK"/>			Address 1:	<input type="text" value="STANLEY ROAD"/>		
Address 2:	<input type="text" value="HIGHGATE"/>			Address 2:	<input type="text" value="BOUNDS GREEN"/>		
Address 3:	<input type="text"/>			Address 3:	<input type="text"/>		
Town:	<input type="text" value="LONDON"/>			Town:	<input type="text" value="LONDON"/>		
County:	<input type="text"/>			County:	<input type="text"/>		
Country:	<input type="text"/>			Country:	<input type="text"/>		
Postcode:	<input type="text" value="N6 6HT"/>			Postcode:	<input type="text" value="N11 2LE"/>		

3. Trees Location

Full address/location of the site where the tree(s) stand (including full postcode where available)

Unit: House number: House suffix:
House name:
Address 1:
Address 2:
Address 3:
Town:
County:
Postcode (if known):

If there is not a full postal address, describe as clearly as possible where it is (for example, 'Land to the rear of 12 to 18 High Street' or 'Woodland adjoining Main Road') or provide a grid reference:

Easting:
Northing:

Description:

4. Trees Ownership

Is the applicant the owner of the tree(s): Yes No
If 'No' please provide the address of the owner (if known and if different from the trees location)

Title: First name:
Last name:
Company (optional):
Unit: House number: House suffix:
House name:
Address 1:
Address 2:
Address 3:
Town:
County:
Country:
Postcode:

Telephone numbers

Country code:	National number:	Extension number:
<input type="text"/>	<input type="text"/>	<input type="text"/>
Country code:	Mobile number (optional):	
<input type="text"/>	<input type="text"/>	
Country code:	Fax number (optional):	
<input type="text"/>	<input type="text"/>	

Email address (optional):

5. What Are You Applying For?

Are you wishing to carry out works to tree(s) in a Conservation Area (CA)? Yes No

Are you seeking consent for works to tree(s) Subject to a Tree Preservation Order (TPO)? Yes No

6. Tree Preservation Order Details

Do you know the title of the Tree Preservation Order (TPO)? Yes No

If Yes, please provide the title of the TPO:

7. Identification Of Tree(s) And Description Of Works

Please identify the tree(s) and provide a full and clear specification of the works you want to carry out. Enter the species of the tree(s) and include a sketch plan showing position(s) of the tree(s) in relation to buildings, named roads and boundaries.

If the trees are protected by a TPO, if possible please number them as shown in the First Schedule to the Tree Preservation Order (for example T3 Oak; two Beech and one Birch in G2; seven Ash in A1; sycamore in W1).

Trees and proposed works:

SEE ATTACHED TREE WORK SPECIFICATIONS

MAINTENANCE WORKS IN LINE WITH GOOD ARBORICULTURAL PRACTICE

You might find it helpful to consult a tree surgeon to clarify what needs to be done.

Please state the reference number you have given the plan:

8. Trees - Reasons For Works

This section only needs to be completed if you are seeking consent to trees under a Tree Preservation Order (TPO)

Please state the reasons for carrying out the proposed works on the tree(s):

Please indicate whether the reasons for carrying out the proposed works include any of the following. If so, your application must be accompanied by the documents specified.

Health or safety of the tree(s) - e.g. it is diseased, fears that it might break or fall:

Yes No

If Yes, information required - report by a tree professional (e.g. arboriculturist, horticultural adviser).

Alleged subsidence damage:

Yes No

If Yes, information required: Full report by an engineer or surveyor, together with one from a tree professional - to include date and description of property damage; sub-soil type and shrinkage potential; location of any roots found and their identification; history of ground and building movement through a distortion survey and/or level or crack monitoring over suitable period; other vegetation in the vicinity and its management since discovery of the damage.

9. Trees - Additional Information

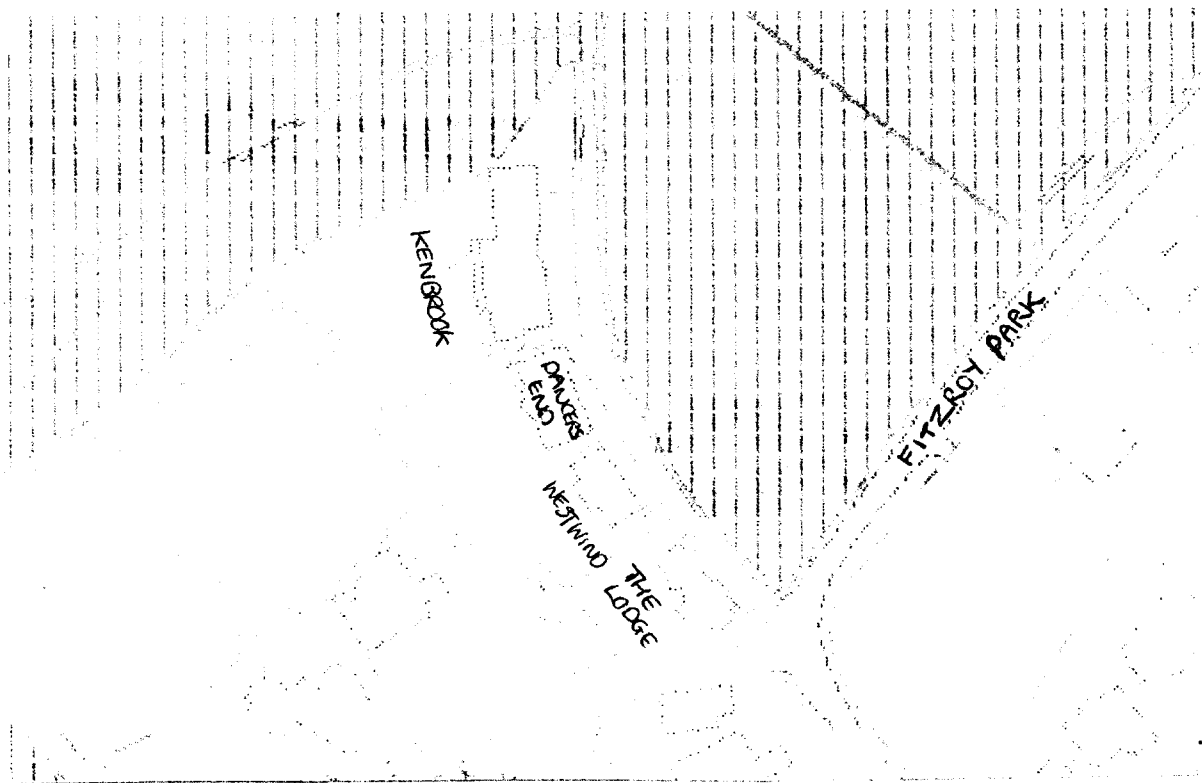
Are you providing additional information in support of your application?

Yes No

If Yes, please provide the reference numbers of plans, documents, professional reports etc in support of your application:

Tree Work Specifications
For
Dancers End,
Fitzroy Park,
Highgate, N6 6HT

T1: Wild Plum (Neighbours)	-	Cut back from the gutter and the roof.
T2: Hawthorn (Rear)	-	Cut the entire tree to ground level. Plant one new tree in its place.
T3: Thuja (Rear side)	-	Reduce the height by 4/5m. Remove dead wood from the lower 4/5m of the crown. Remove selective low branches.
T4: Cedar	-	Cut the entire tree to ground level. Grub out the stump.
T5: Beech (Hedge)	-	Trim the front.
Recommended replacement tree	-	Amelanchier lamarkii



CLIENT

MRS HILL

DANCERS END

FITZROY PARK

HIGHGATE

LONDON

NG 6HT

AGENT

CUSTOM CUTTERS TREE SPECIALISTS LTD

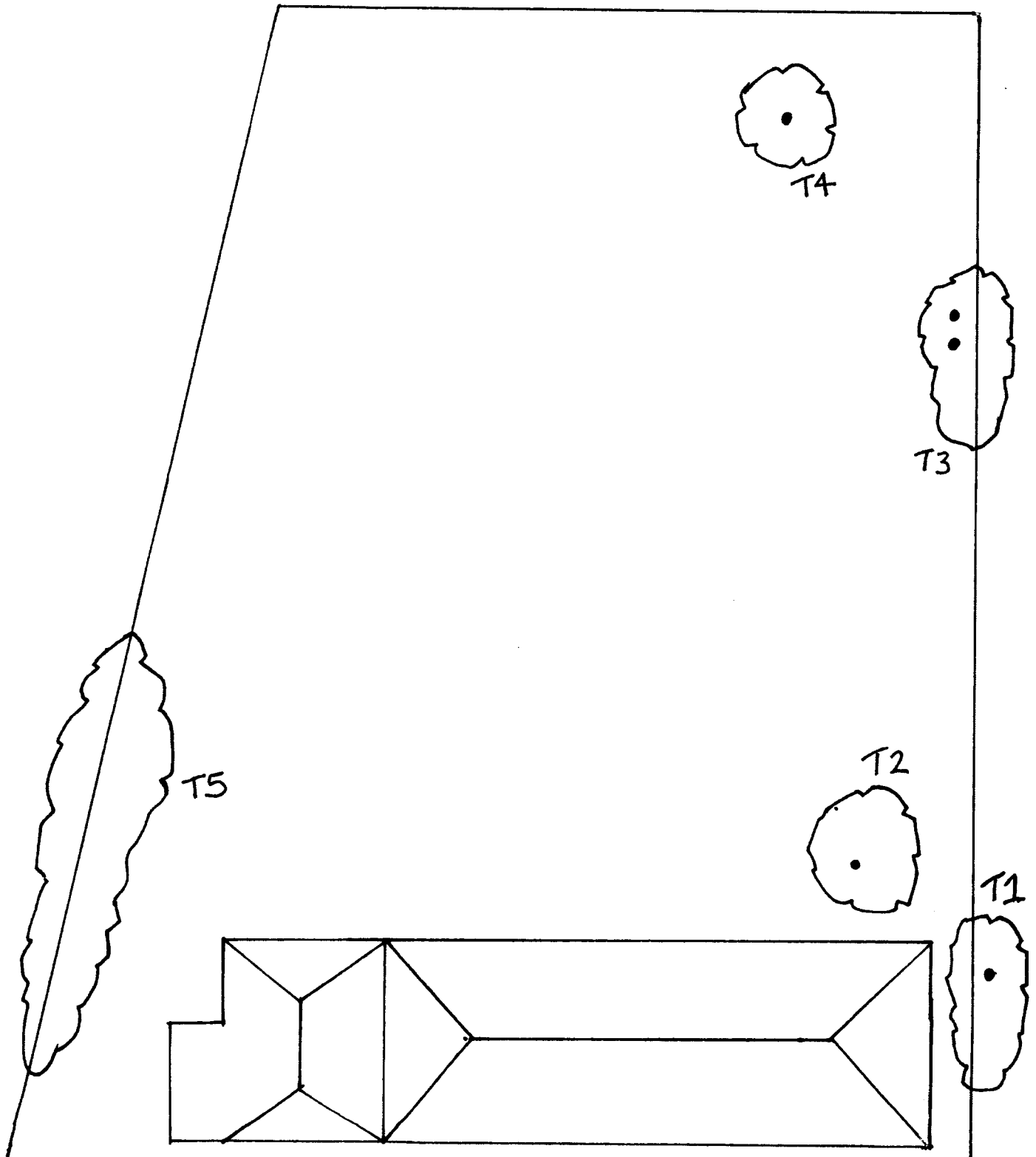
46 STANLEY ROAD

BOUNDS GREEN

LONDON

N11 2LE

SITE PLAN FOR
DANCERS END,
FITZROY PARK,
HIGHGATE, N6 6HT



10. Application For Tree Works - Checklist

Please use this checklist to ensure that the form has been completed correctly and that all relevant information is submitted.

For works to trees protected by a Tree Preservation Order, failure to supply sufficiently precise and detailed information may result in your application being rejected or delay in dealing with it. In particular, you MUST provide the following:

3 copies of a completed and dated application form.

3 copies of a sketch plan showing the location of all tree(s).

3 copies of a full and clear specification of the works to be carried out.

3 copies of a statement of reasons for the proposed work.

- evidence in support of statement of reasons. In particular, you should provide:

3 copies of a report by a tree professional (e.g. arboriculturist or horticultural adviser) if your reasons relate to the health and/or safety of the tree(s).

3 copies of a report by an engineer or surveyor, together with one from a tree professional (arboriculturist) if you are alleging subsidence damage.

For works to trees in conservation areas, it is important to supply precise and detailed information on your proposal. You may, therefore, wish to provide the following:

3 copies of a completed and dated form, with all questions answered.

3 copies of a sketch plan showing the precise location of all tree(s).

3 copies of a full and clear specification of the works to be carried out.

Whether the trees are protected by a TPO or in a conservation area, please indicate which of the following types of additional information you are submitting (3 copies of each need to be provided):

- photographs.

- report by a tree professional (arboriculturist) or other.

- details of any assistance or advice sought from a Local Planning Authority officer prior to submitting this form.

11. Declaration - Trees

I/we hereby apply for consent/give notice as described in this form and the accompanying plans and additional information.

Signed - Applicant:

Or signed - Agent:

Date (DD/MM/YYYY):

(date cannot be pre-application)

12. Applicant Contact Details

Telephone numbers

Country code: National number: *Mrs Hill* Extension number:

Country code: Mobile number (optional):

Country code: Fax number (optional):

Email address (optional):

13. Agent Contact Details

Telephone numbers

Country code: National number: Extension number:

Country code: Mobile number (optional):

Country code: Fax number (optional):

Email address (optional):