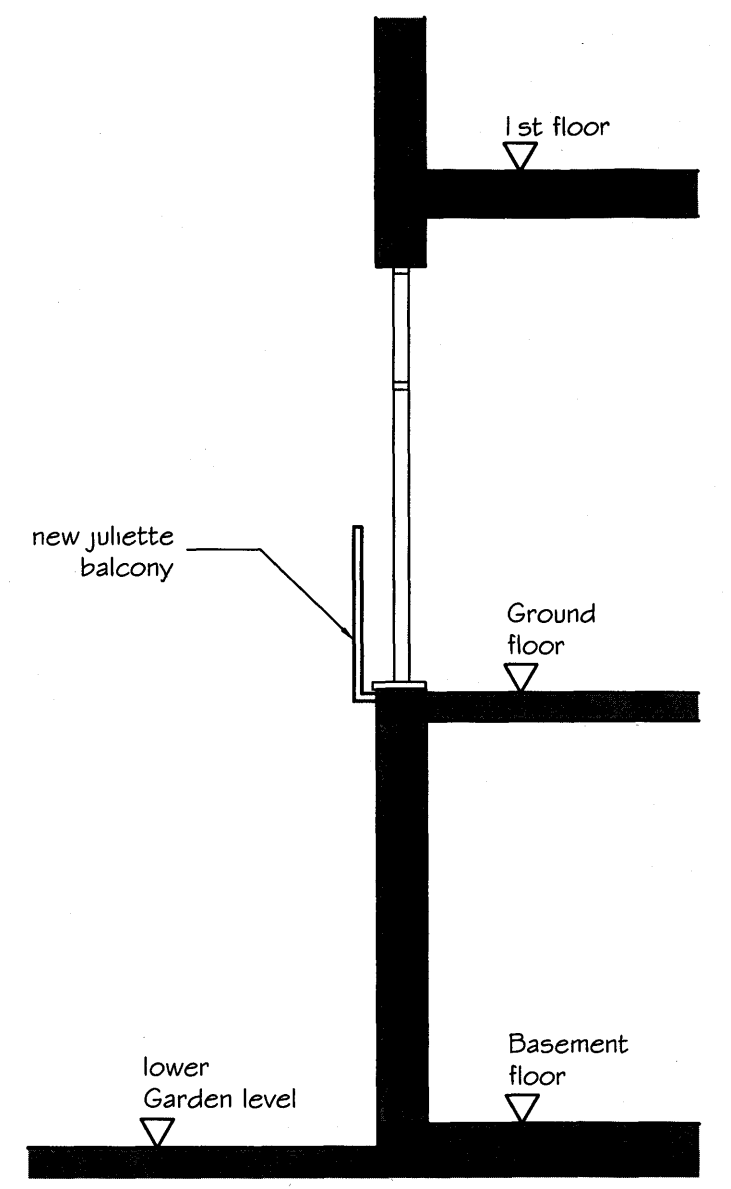


Existing Balcony Section -  
 Scale 1:50



Proposed Juliette Balcony Section -  
 Scale 1:50

35 Queens Grove, London, NW8

Client	The Eyre Estate	Rev	P1	Date	29.09.10	Drawing issued for Listed Building/Planning Consent.	rk
						Amendment	By
Title						Drawing No	Rev
Existing & Proposed Rear Balcony Sections						21213/P/09	P1
Checked by			Drawn by		Scale	Date	Drawing Status
rk			rk		1:50@A3	Sept 2010	Listed Building Consent



Project and Building Consultancy