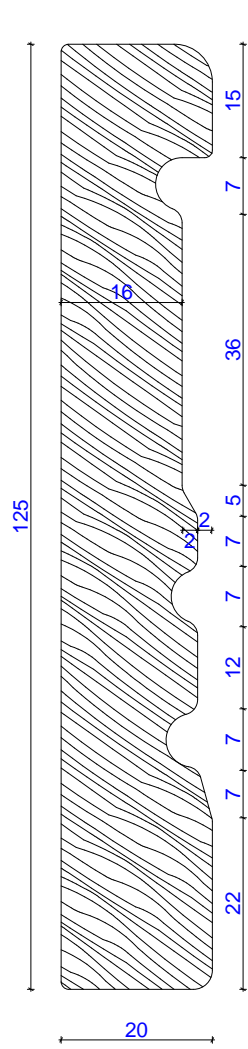
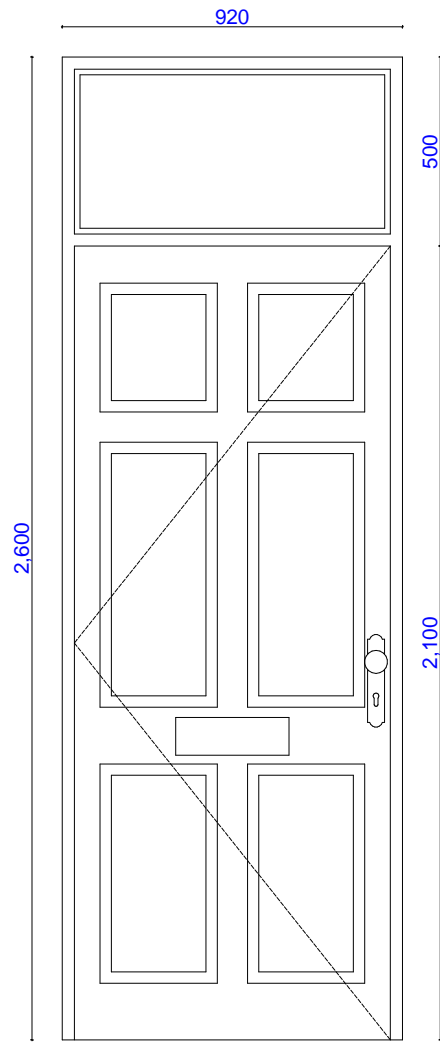


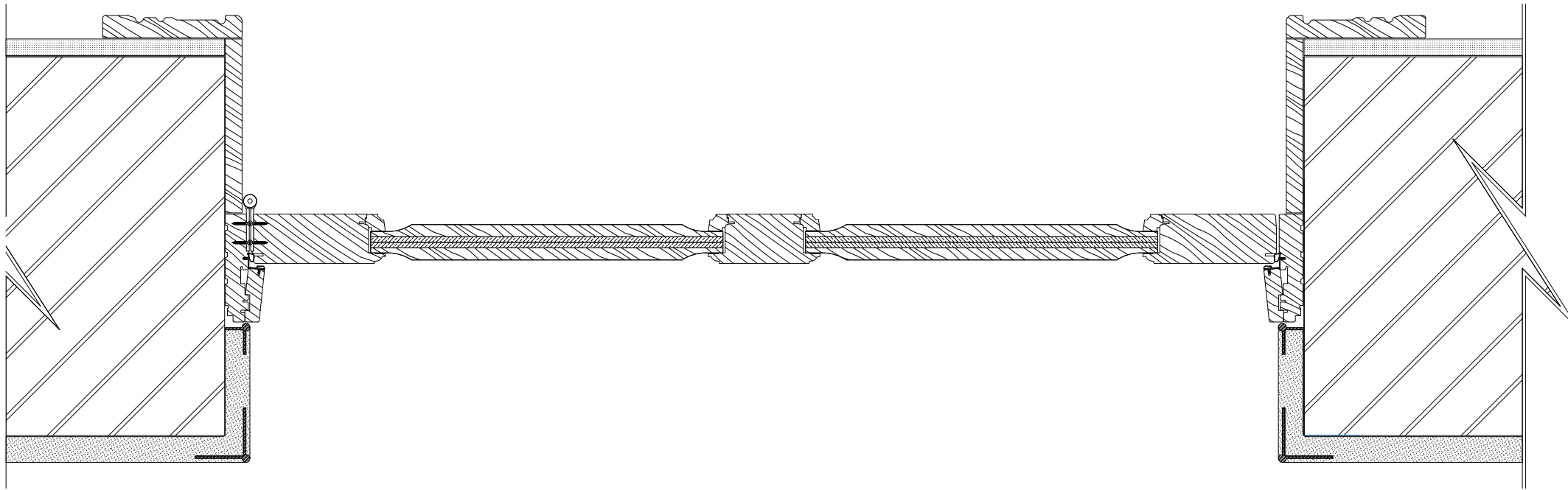
**NOTES:**  
 USE FIGURED DIMENSIONS ONLY  
 DO NOT SCALE FROM THE DRAWING  
 ALL DIMENSIONS TO BE CHECK ON SITE AND  
 ANY INCONSISTENCIES MUST BE REPORTED  
 BACK TO THE ARCHITECT  
 ALL WINDOW OPENING DIMENSIONS TO BE  
 CHECK ON SITE AND CONFIRMED IN WRITING  
 BEFORE BEGIN OF PRODUCTION  
 ALL STRUCTURAL INFORMATION TO BE TAKEN  
 FROM STRUCTURAL ENGINEER'S DRAWINGS



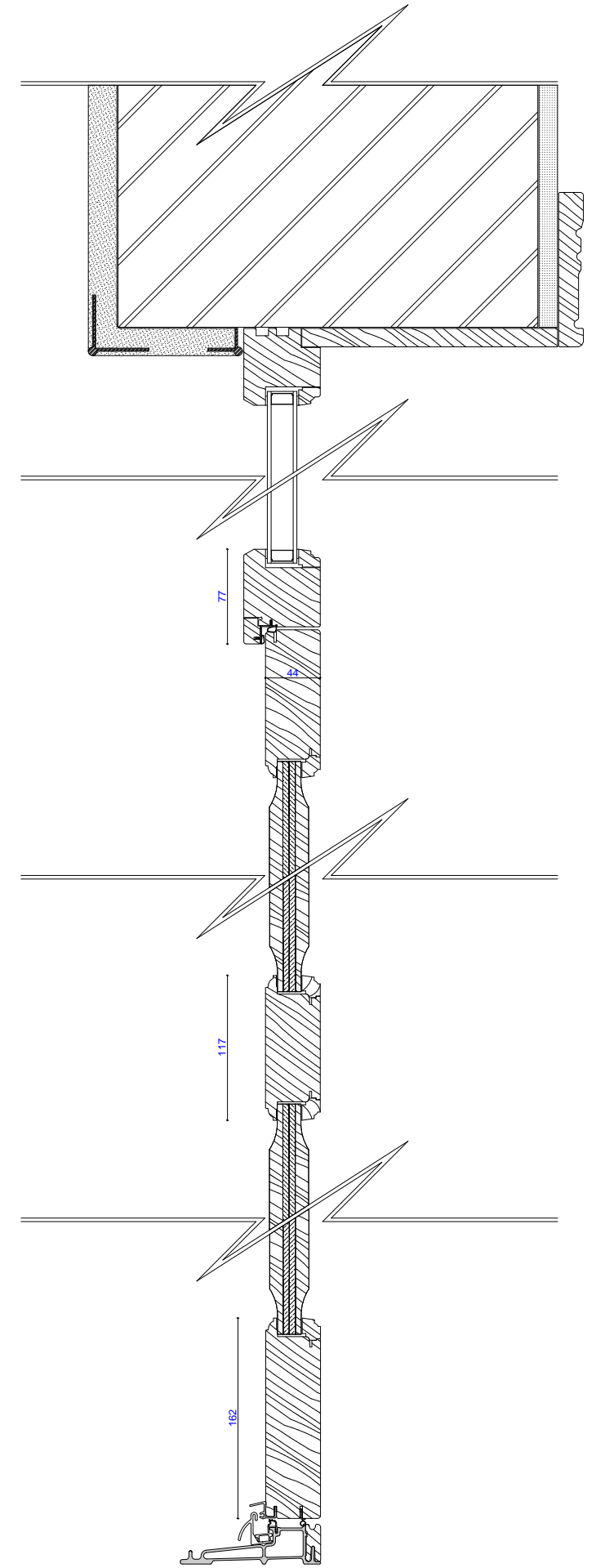
DETAIL SECTION ORIGINAL  
 ARCHITRAVE SCALE 1:1



ELEVATION SCALE 1:20



PLAN SCALE 1:5



SECTION SCALE 1:5



PROJECT: 9A BAYHAM STREET  
 LONDON NW1 0EY  
 CLIENT: HAWTHORNE DEVELOPMENTS (CAMDEN LTD)

Scale: 1:5 @ A3  
 Drawn: KS  
 Drawing No: 032.10/ 206

ENTRANCE DOOR  
 DETAILS