

Telephone:
01206 222 555

Fax:
01206 222 905

Email:
fans.uk@flaktwoods.com

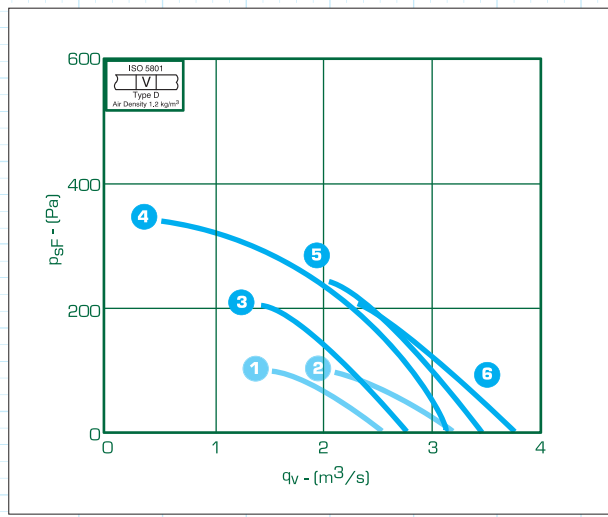
Express Website:
www.flaktwoods.com/express

Fan Selector:
www.flaktwoods.com/fanselector

Performance Data

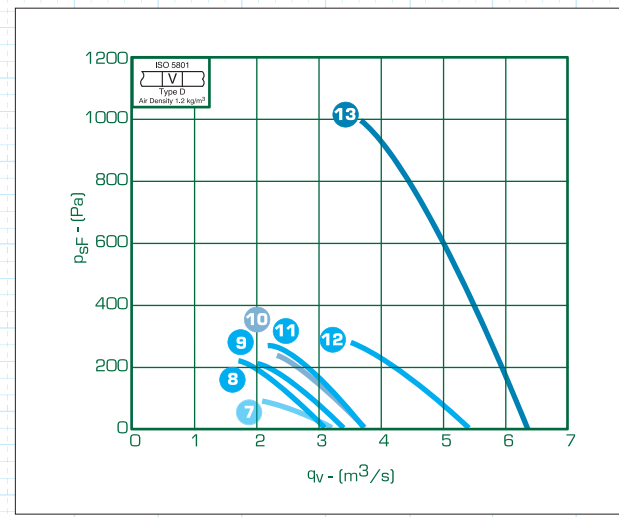
1 Phase

- 1 - 63JM/20/6/6/22 3 - 56JM/16/4/5/20 5 - 56JM/20/4/6/28
- 2 - 63JM/20/6/6/30 4 - 63JM/20/4/6/16 6 - 56JM/16/4/5/32



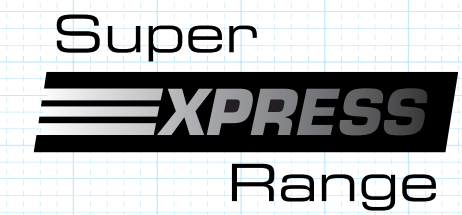
3 Phase

- 7 - 63JM/20/6/6/30 9 - 56JM/16/4/5/28 11 - 63JM/20/4/6/20 13 - 56JM/20/2/6/24
- 8 - 56JM/16/4/5/24 10 - 56JM/20/4/6/32 12 - 63JM/20/4/6/32



JM Aerofoil fan

56-63JM



Sound pressure levels quoted are average dBA at 3m distance over a sphere, under free field conditions and are presented for comparative purposes only.

Fans that include BT or CT motors can be continuously operated at temperatures up to 70°C. When these fans are operating in excess of 50°C they should be run at full speed only.

For Short cased fans please omit the prefix from the product number and state S-type on enquiries/orders. Product numbers shown are for Long cased fans.

Bold text denotes Super Express Product, next day delivery available if ordered by 4pm.

Electrical Data

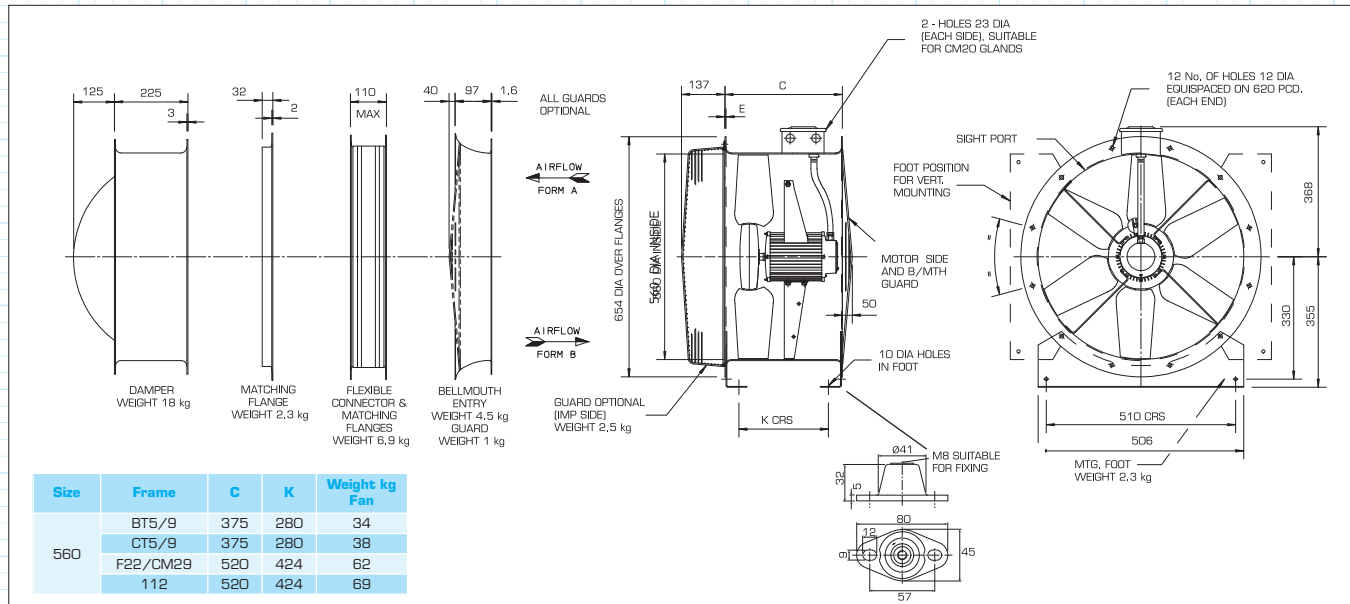
Ref	Product Code	Speed rev/min	Motor	Product Number	Pitch Angle (°)	Motor Rating (kW)	220-240V/50Hz/1ϕ			Speed Controller		Sound Level dBA	m³/s at Pa (Static)										
							Full Load Current (at 230V) (A)	Starting Current (at 230V) (A)	Wiring Diagram Ref	Electronic	Transformer		0	50	100	150	200	250	300				
3	56JM/16/4/5/...	1420	CT5	JL571453	18-20	0.52	3.9	7.8	CD1705	ME1.6	MT1.5	57	2.74	2.50	2.24	1.93	1.46						
6	56JM/16/4/5/...	1420	CT9	DX571456	32	0.97	6.7	13.5	CD1705	ME1.6	MT1.8	58	3.76	3.46	3.15	2.81	2.38						
5	56JM/20/4/6/...	1420	CT9	DX571459	28	0.97	6.7	13.5	CD1705	ME1.6	MT1.8	58	3.47	3.25	3.01	2.74	2.43						
1	63JM/20/6/6/...	900	CT5	JL641651	16-22	0.29	2.3	4.1	CD1705	ME1.3	MT1.5	49	2.57	2.23	1.78								
2	63JM/20/6/6/...	900	CT9	JL641652	26-30	0.53	0.38	6.8	CD1705	ME1.6	MT1.8	52	3.25	2.85	2.32								
4	63JM/20/4/6/...	1420	CT9	DX641453	16	0.97	6.7	13.5	CD1705	ME1.6	MT1.8	61	3.12	2.98	2.80	2.58	2.30	1.95	1.38				

Wiring diagrams can be found on pages 22-23

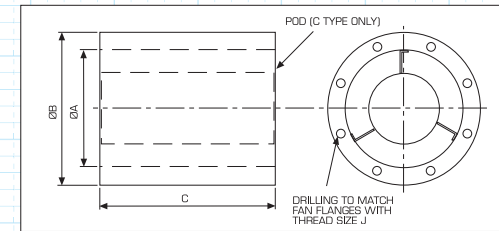
Ref	Product Code	Speed rev/min	Motor	Product Number	Pitch Angle (°)	Motor Rating (kW)	380-420V/50Hz/3ϕ			Speed Controller		Sound Level dBA	m³/s at Pa (Static)											
							Full Load Current (at 400V) (A)	Starting Current (at 400V) (A)	Wiring Diagram Ref	Transformer	Inverter		0	50	100	150	200	250	300	400	500	600		
8	56JM/16/4/5/...	1420	CT5	JL591452	16-24	0.54	1.8	4.9	CD1343	MT3.2	FWX1	57	3.09	2.83	2.56	2.27	1.85							
9	56JM/16/4/5/...	1420	CT9	DX591453	28	0.83	2.3	8.6	CD1343	MT3.7	FWX1	58	3.44	3.16	2.88	2.55	2.12							
10	56JM/20/4/6/...	1420	CT9	DX591458	32	1.15	3.2	11	CD1343	MT3.7	FWX2	61	3.80	3.57	3.31	3.03	2.70							
13	56JM/20/2/6/...	2910	112	EX591201	8-24	6.2	11.4	77.5	CD1343	N/A	FWX6	73	6.33	6.25	6.16	6.05	5.98	5.85	5.77	5.53	5.30	5.03		
7	63JM/20/6/6/...	900	CT9	JL661652	26-30	0.5	1.5	4.5	CD1559	MT3.2	FWX1	50	3.24	2.86	2.33									
11	63JM/20/4/6/...	1420	CT9	DX661453	20	1.15	3.2	11	CD1559	MT3.7	FWX2	61	3.77	3.57	3.37	3.14	2.89	2.55						
12	63JM/20/4/6/...	1420	F22	DX661454	32	2.1	5	27	CD1343	MT3.7	FWX2	61	5.40	5.12	4.87	4.56	4.23	3.83						

The fan noise levels shown are for the specified operating point. When an electronic controller is incorporated, a magnetic noise (enhanced motor noise) can occur - particularly if the fan is operating at speeds well below maximum. For noise sensitive applications FWL recommend using an auto transformer speed controller. Fans are supplied at catalogue stated angle. Should you wish for the pitch angle to be adjusted, we would be happy to offer a quotation.

Dimensions - 56 JM Aerofoil



JM - Cylindrical Silencers

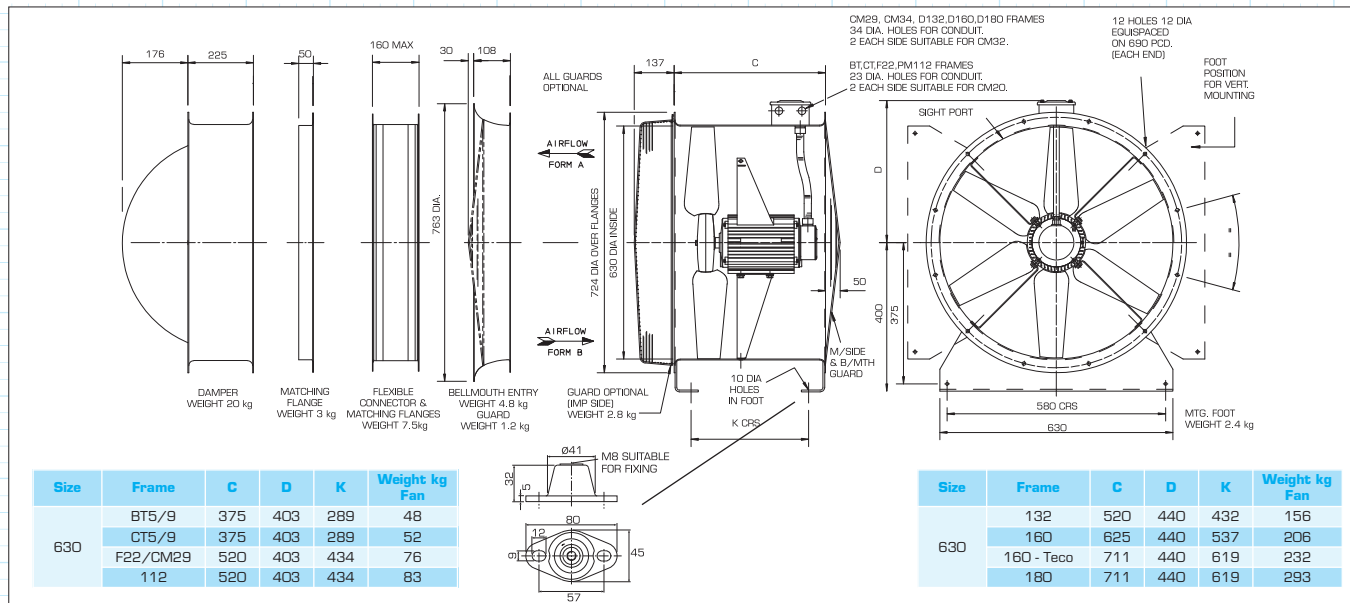


Bore Dia. mm (D)	Length	Acoustic Performance (dB) - Octave Band Mid Frequency - Hz							
		63	125	250	500	1K	2K	4K	8K
560 - B	1D	2	4	7	14	14	19	10	7
560 - B	1D	2	5	7	15	13	8	9	8
630 - C	1D	3	5	8	16	20	18	19	15
630 - C	1D	3	5	8	15	19	16	14	12

Suitable for fan OA	*Product Numbers	B	C	J	Weight (kg)	
					B Type	C Type
560	SB281401	710	560	M10	30	35
630	SB301401	780	630	M10	35	42

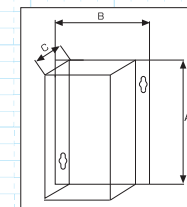
* For C type silencer change prefix from SB to SC

Dimensions - 63 JM Aerofoil



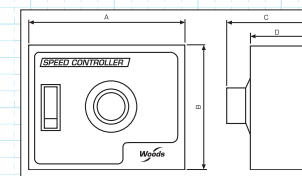
All dimensions shown in mm.

Inverter



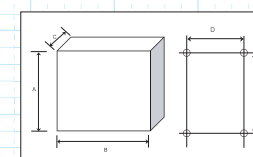
Type	Product Number	A	B	C	Weight (kg)
FWX1	430412	420	242	195	14.2
FWX2	430413	420	242	195	14.2
FWX3	430414	420	242	195	14.2
FWX6	430346	420	242	195	14.2

Speed Controller



Type	Product Number	A	B	C	D
ME1.3	DA410290	148	87	62	47
ME1.6	DA410291	148	87	62	47

Transformer Controller



Type	Number Product	A	B	C	D	E	Max. Weight (kg)
MT1.5	423099	255	170	140	155	194	5.5
MT1.8	402011	325	300	185	255	255	8
MT3.2	402012	325	300	175	255	255	12.8
MT3.7	402013	425	300	235	255	355	26