
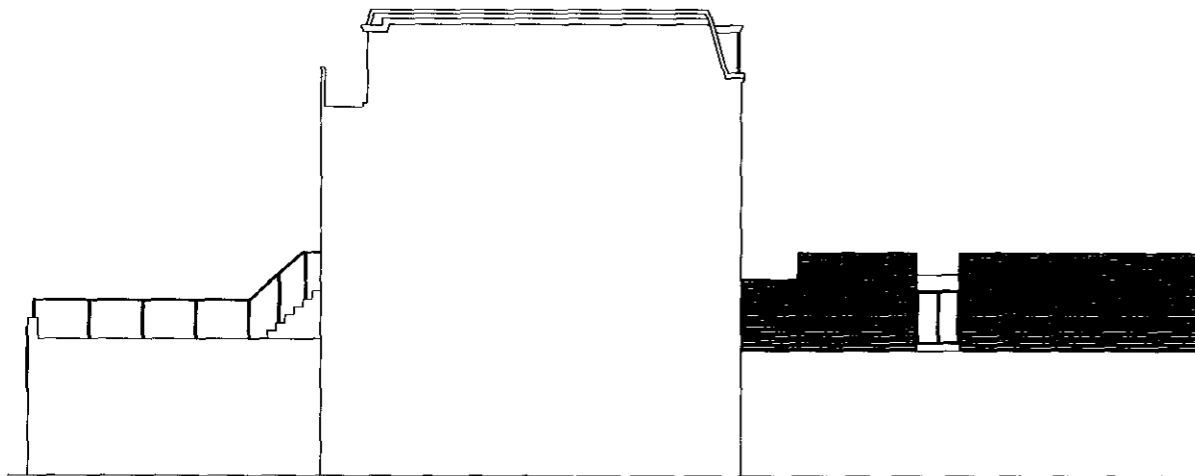
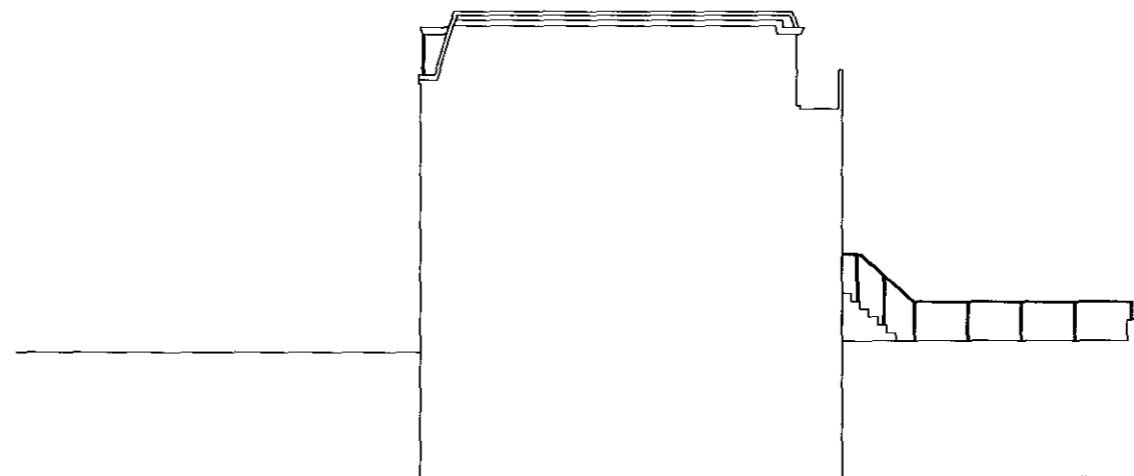


SK120	<p>NORTH</p>  <p>Note: all plans are orientated due north unless otherwise stated</p>
-------	--

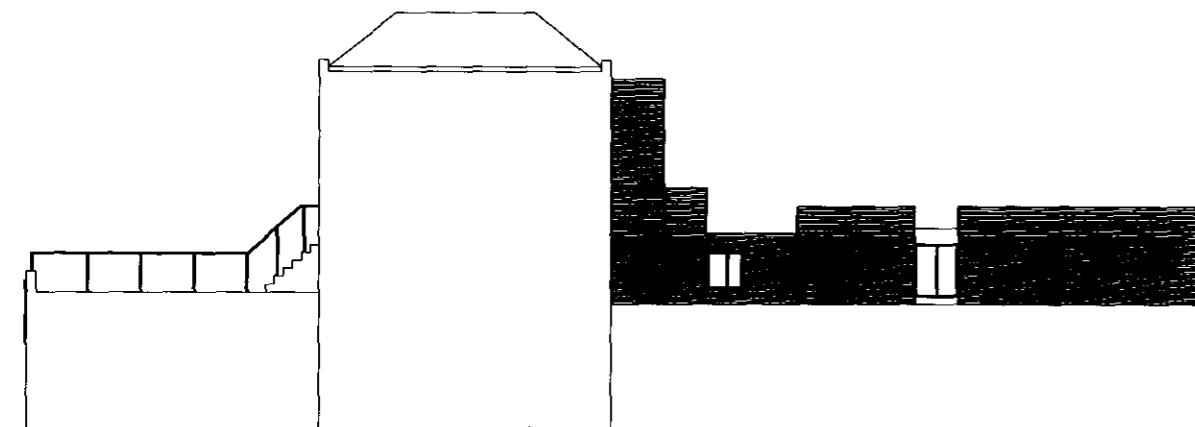


PROPOSED WEST SIDE ELEVATION

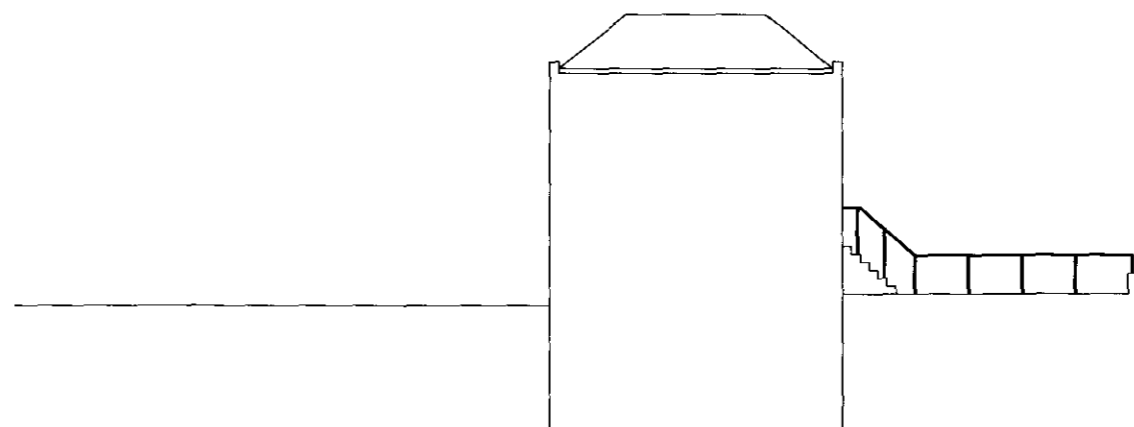


PROPOSED EAST SIDE ELEVATION

RECEIVED 19 NOV 2010



EXISTING WEST SIDE ELEVATION



EXISTING EAST SIDE ELEVATION

Rev	Notes	Date
Drawn	JB	Chk. JB
		Date 25.08.10
<p>DO NOT SCALE THE DRAWING. ALL DIMENSIONS MUST BE CHECKED ON SITE. JNB DESIGN ARE TO BE INFORMED OF ANY DISCREPANCIES PRIOR TO CONSTRUCTION. THE DRAWING AND ANY OF THE DETAILS THEREIN REMAIN THE COPYRIGHT OF JNB DESIGN.</p>		
<p><input type="radio"/> Legal <input checked="" type="radio"/> Planning <input type="radio"/> Tender <input type="radio"/> Construction <input type="radio"/> As-built</p>		
 JNB DESIGN		
<p>Contact JNB Design, Ringley House, 349 Royal College Street, NW1 9QS info@jnbdesign.co.uk, www.jnbdesign.co.uk</p>		
<p>Client MIKE & TARA KENNEY</p>		
<p>Project 56 CHALK FARM ROAD LONDON, NW1 8AN</p>		
<p>Drawing Title PROPOSED & EXISTING SIDE ELEVATIONS</p>		
Drawing no.	Size	Scale
109/SK120	A3	1:200