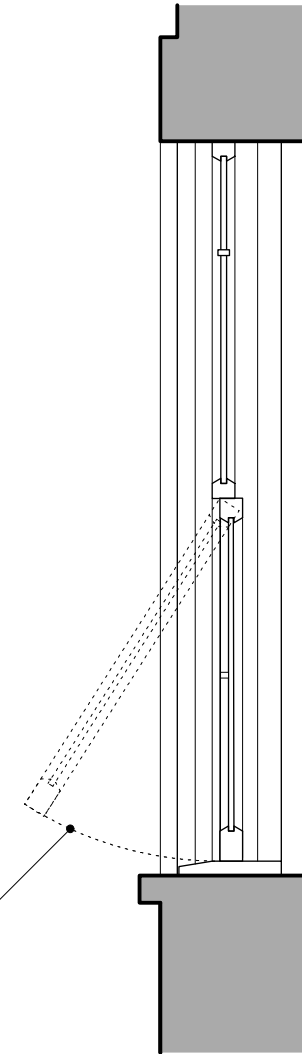
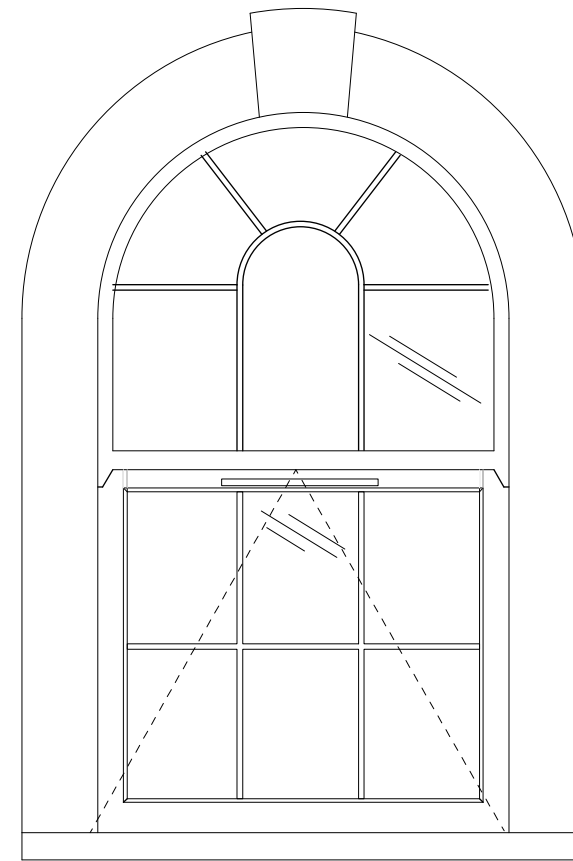


we are unable to determine the opening direction of the pre-existing windows



double glazed unit opening outwards

1
020

Existing Front Elevation pre February 2005
scale 1:20

2
020

Existing Front Elevation as of August 2010
scale 1:20

PLANNING

healycornelius design consultancy ltd. No.5 St John's Lane, London, EC1M 4BH T 020 7404 7771 info@healycornelius.com F 020 7404 7772		Drawing Title: Existing Window Details	
Client: Mr H Sakhai	Scale: 1:20 @ A3	Date: Oct 2010	Drawn: CHP
Job Title: 298-302 Kentish Town Roads, London, NW5 2TG	Drawing Number: 10-425-P-020		Rev: