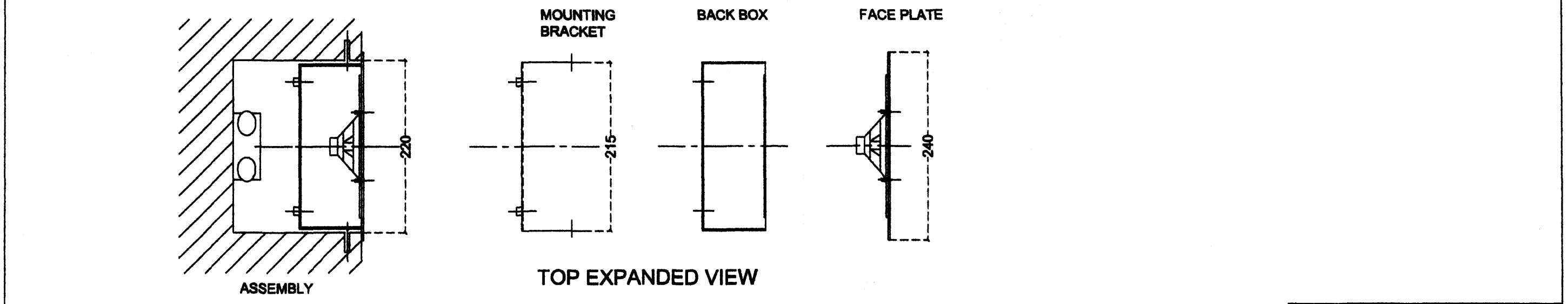


SIDE EXPANDED VIEW



TOP EXPANDED VIEW

A3		TGA No: J:\6228\ELEC\G1200E-2026.dwg	
Rev	Date	Modification	Alt
DO	Chk	Orig	App
Rev	Date	Modification	Alt
DO	Chk	Orig	App
THE BRITISH MUSEUM 			
Contractor: T.S.A. Consulting Engineers LLP Arriswood House Arriswood Business Park Durham, DH1 5BQ Tel: 0191 388 2314 Fax: 0191 388 0948 E-Mail: enquiries@tsa.co.uk		Scale: 1:5 (A3) NTS (A4)	
Drawn JRS	DO Chk SDW	Orig Chk JJ	Approved
Date FEB-07	Date FEB-07	Date FEB-07	Date FEB-07
Drawing No. G1200E-TGA-E-2031			Rev. -