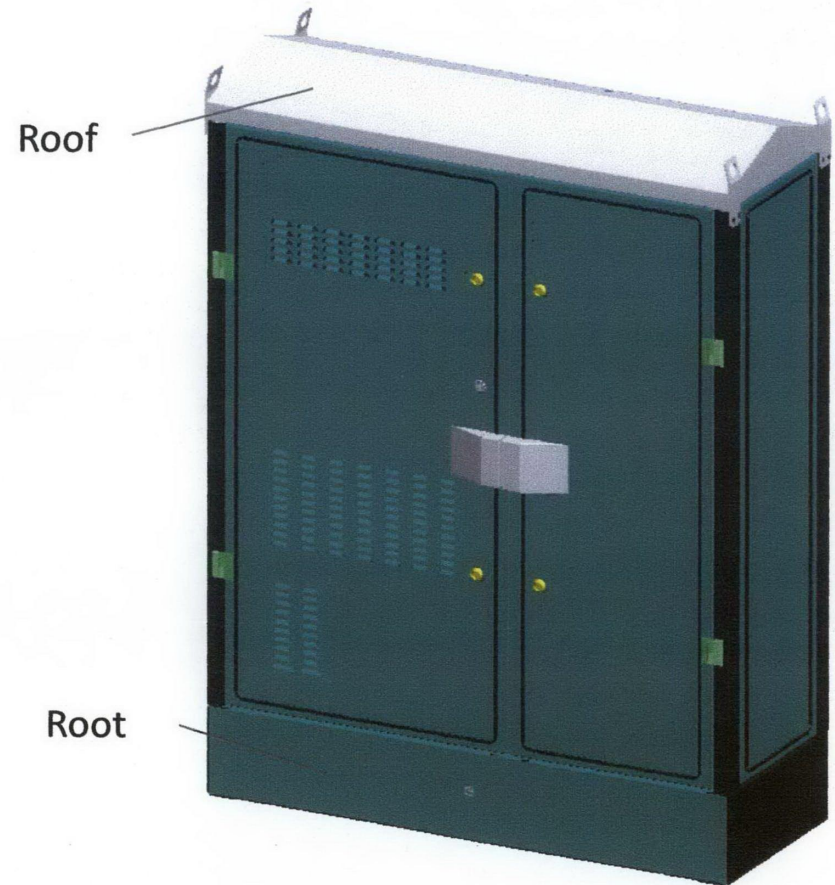
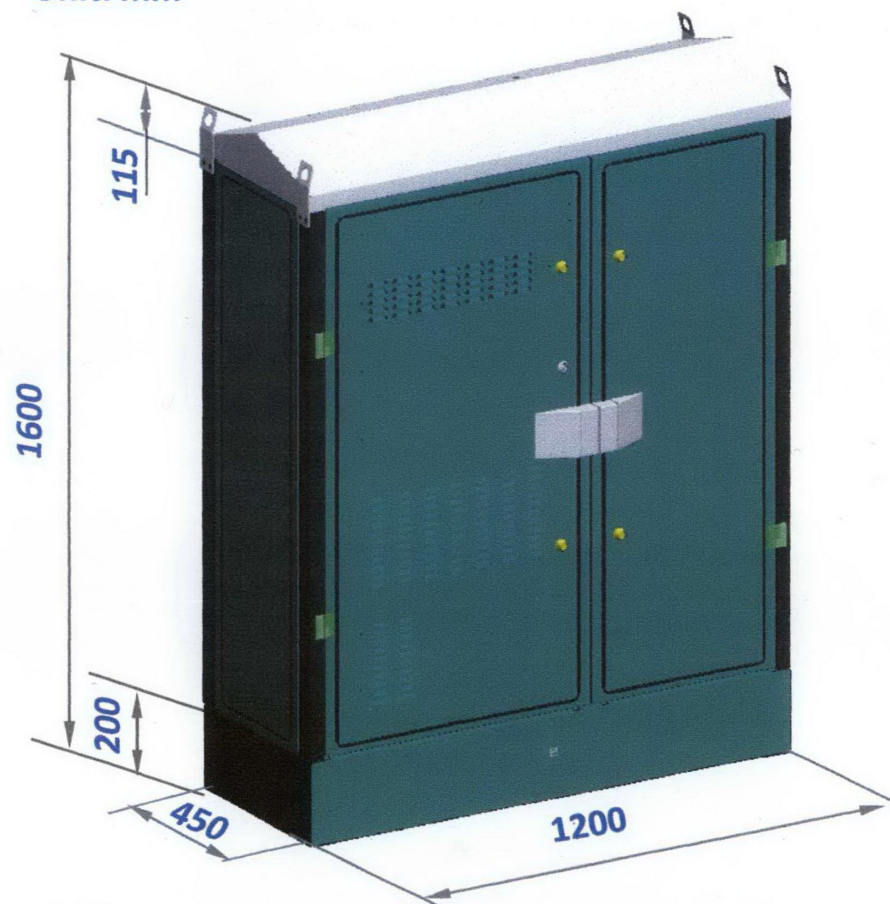


Modular Cabinet F01H200 Profile

Unit: mm



*All components in one, service device, power system and monitoring module,
cooling unit, battery, SPD, MDF, ODF.**nn***