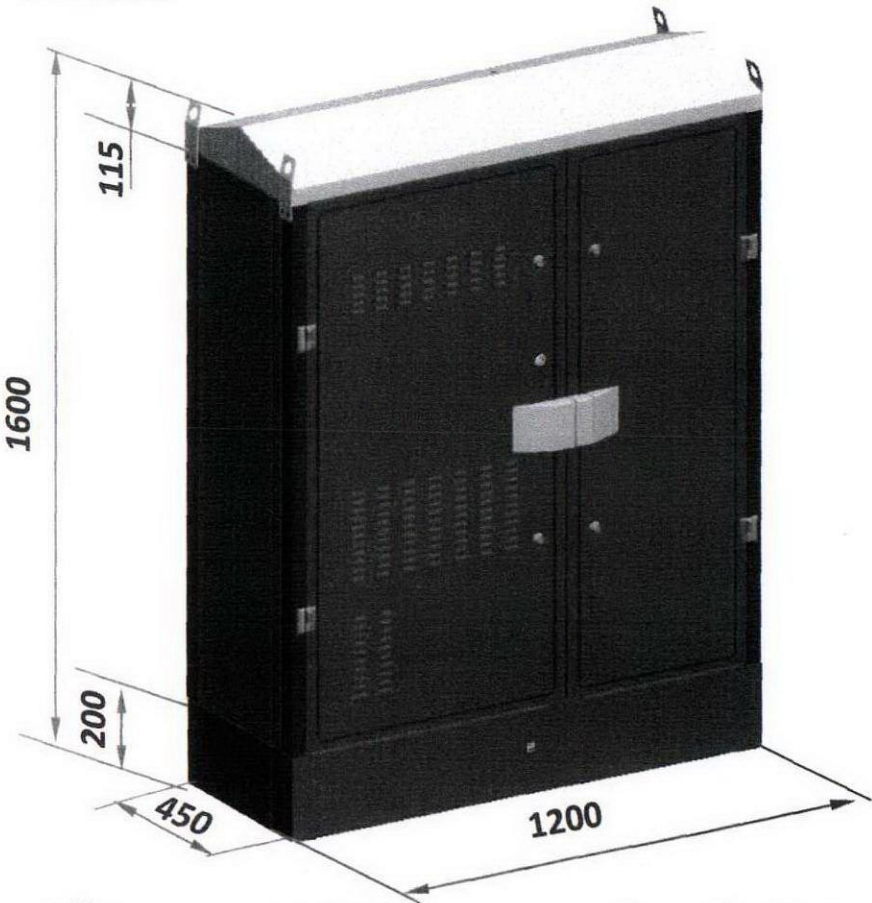


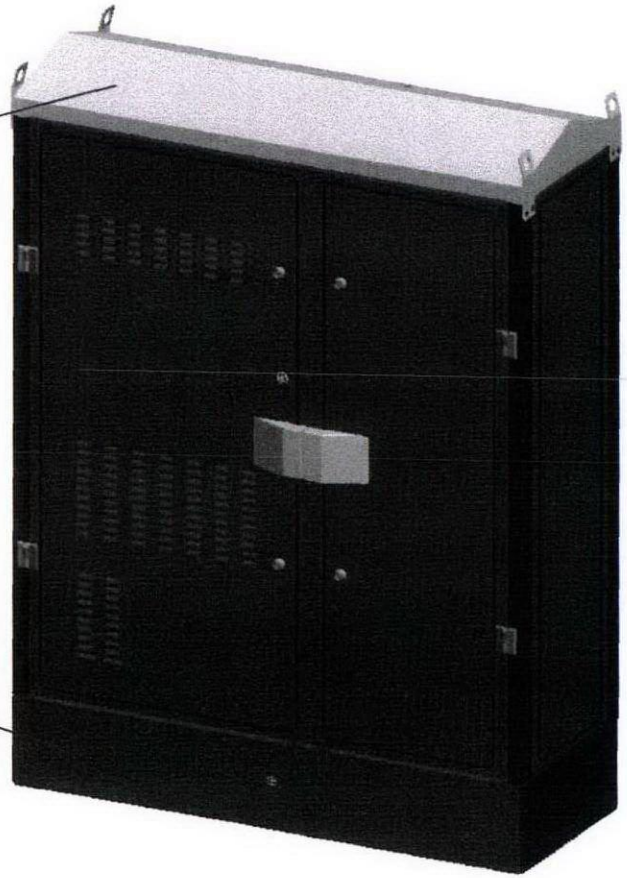
# Modular Cabinet F01H200 Profile

Unit: mm



Roof

Root



*All components in one, service device, power system and monitoring module, cooling unit, battery, SPD, MDF, ODF.nn*