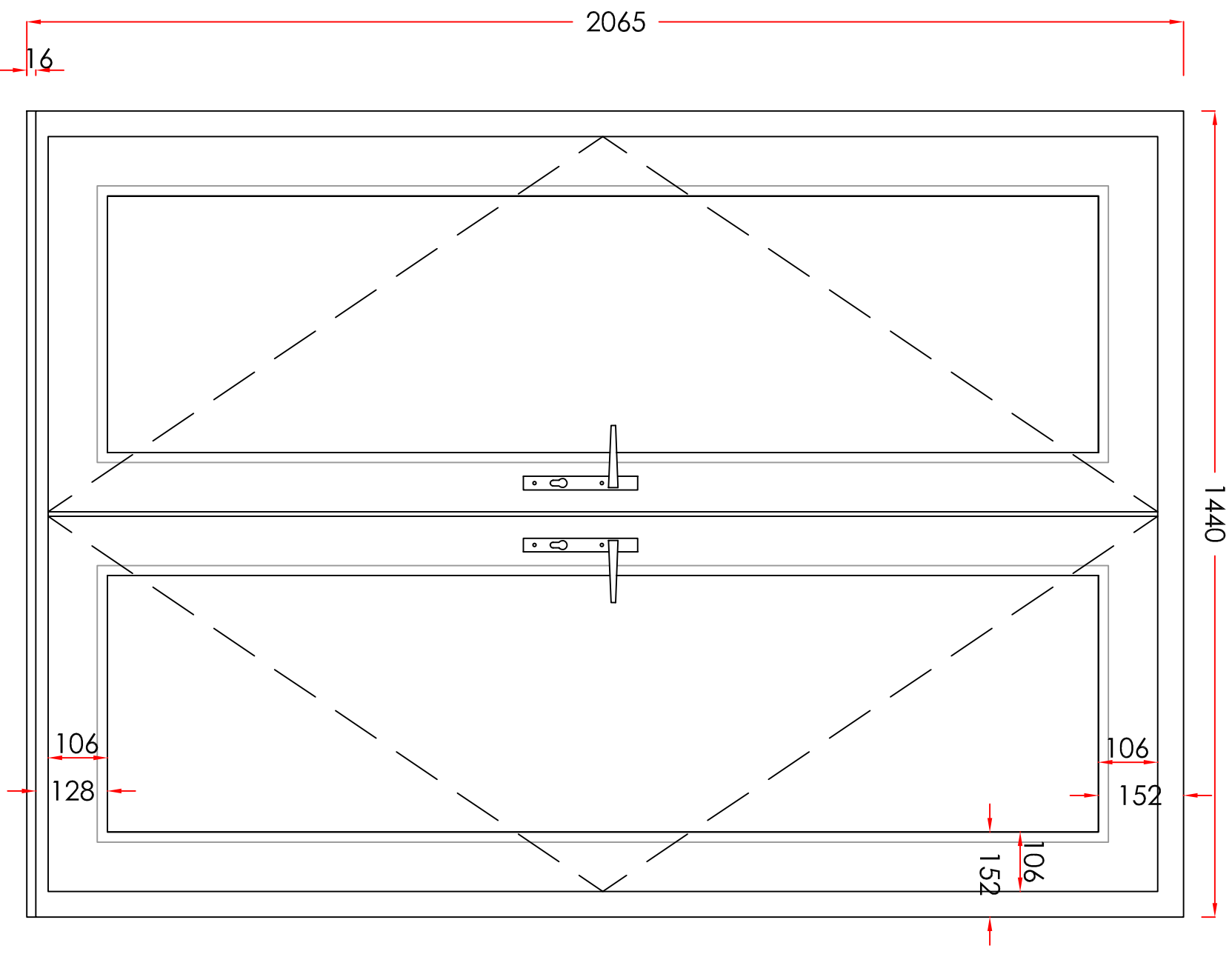
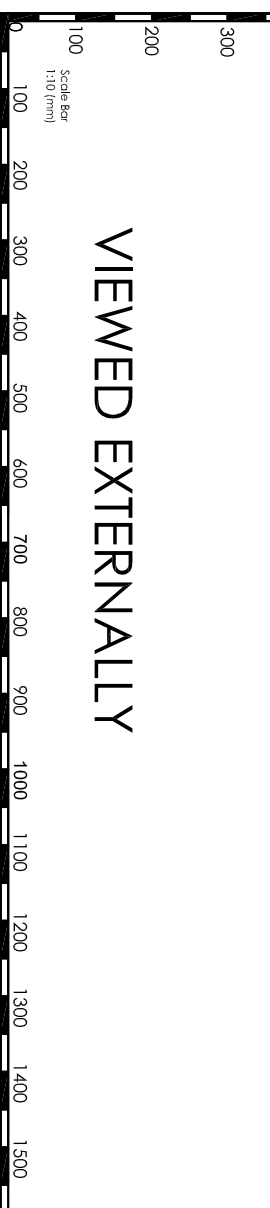


10. MASTER BED
12. MASTER BED



11. MASTER BED



VIEWED EXTERNALLY

Scale - 1:10
(Produced on A3 Paper)

Sheet 4 Of 4

Drawers Initials:
AA

CONTRACT No.: 01180020 **date:** 17/11/2010

PROPOSED: PROPOSED WINDOW REPLACEMENT
AT: 12A ELIZABETH MEWS
(INSTALLATION ADDRESS)
 LONDON
 NW3 4TL

FOR:..... MRS DAVIS

