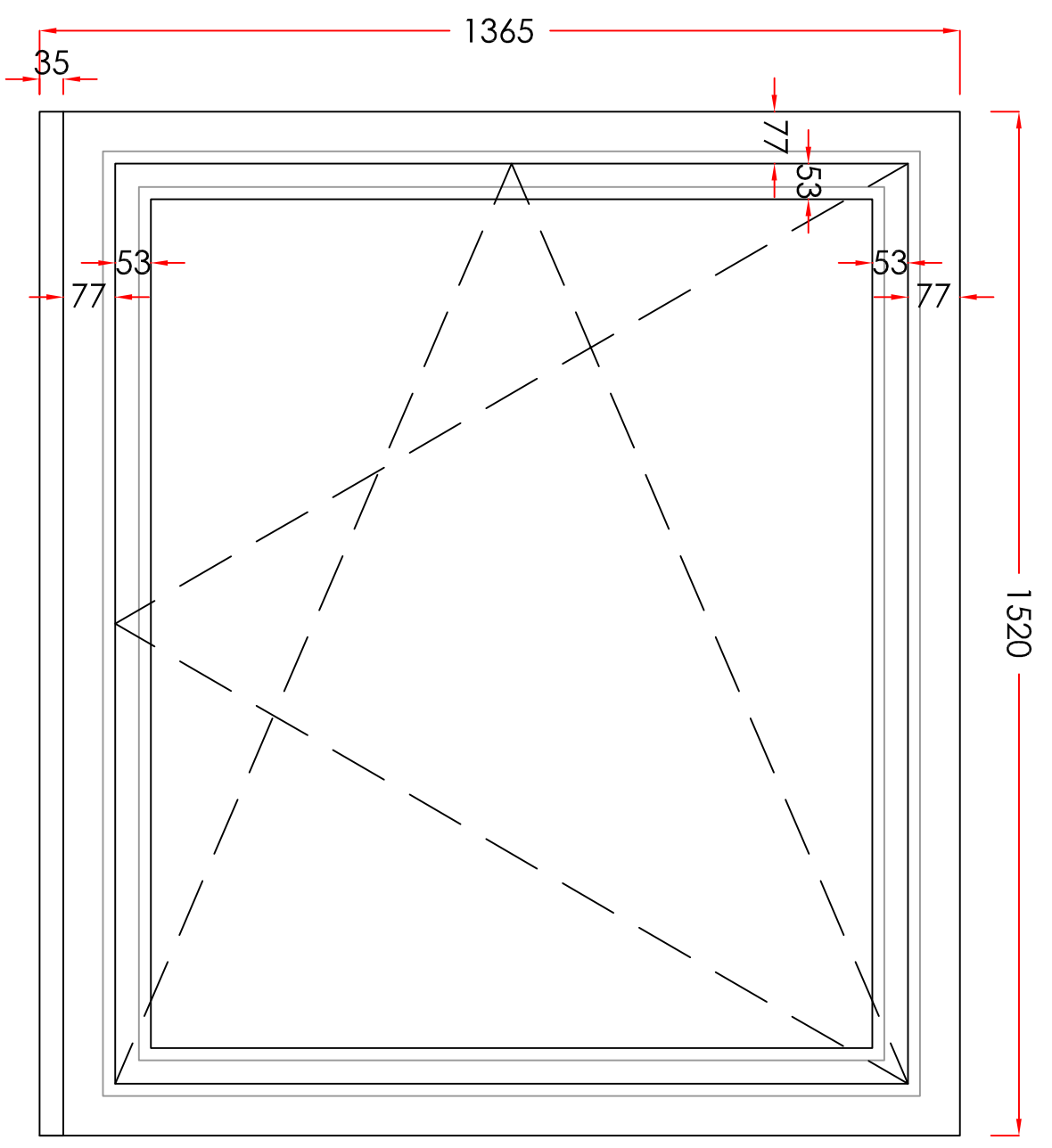
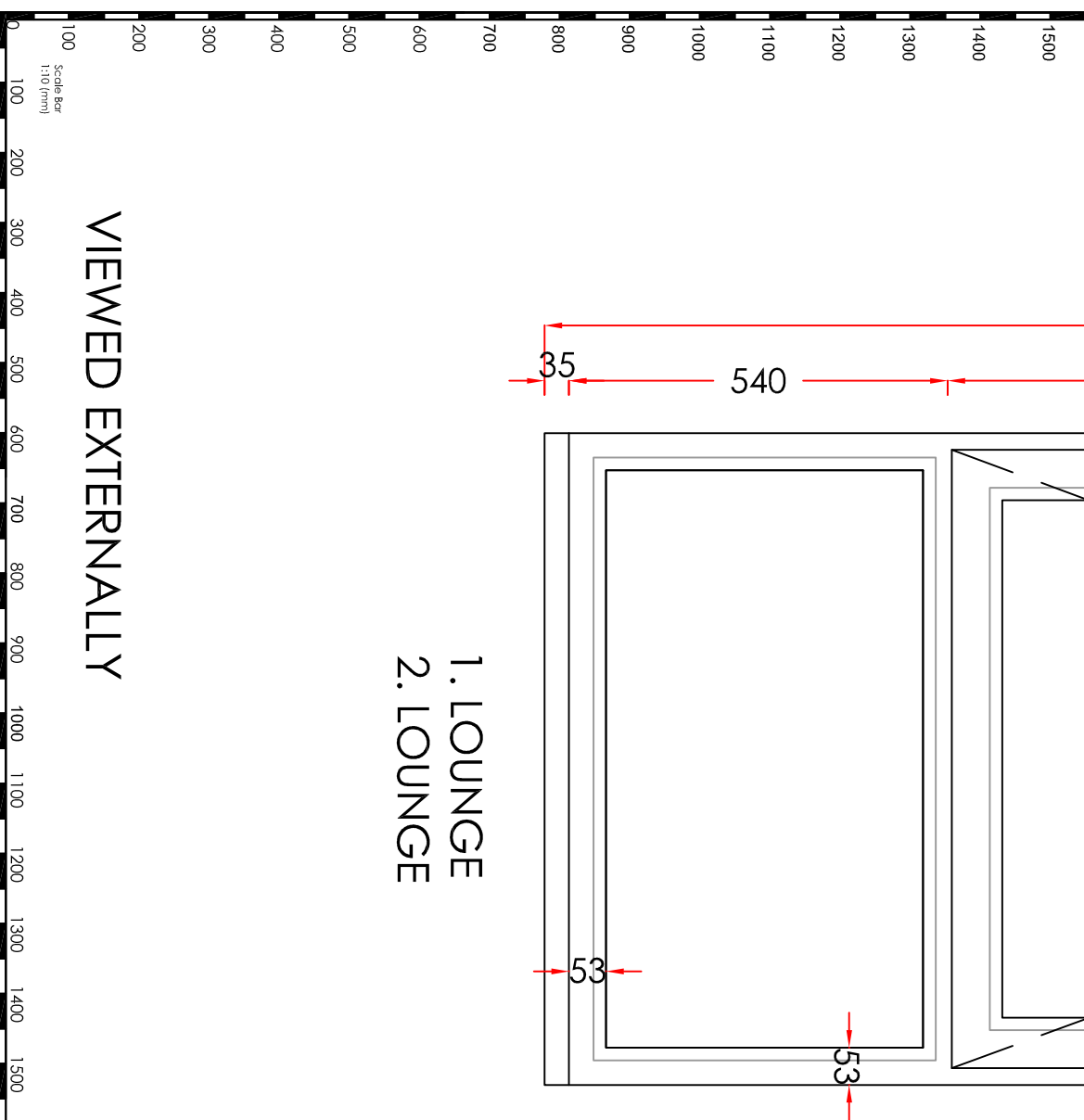


1. LOUNGE  
2. LOUNGE



3. LOUNGE



VIEWED EXTERNALLY

Scale - 1:10  
(Produced on A3 Paper)

Sheet 1 Of 4

Drawers Initials:  
**AA**

**CONTRACT No.:** 01180020      **date:** 17/11/2010

**PROPOSED: PROPOSED WINDOW REPLACEMENT**

**AT:** 12A ELIZABETH MEWS  
(INSTALLATION ADDRESS) LONDON NW3 4TL

**FOR:**..... MRS DAVIS

