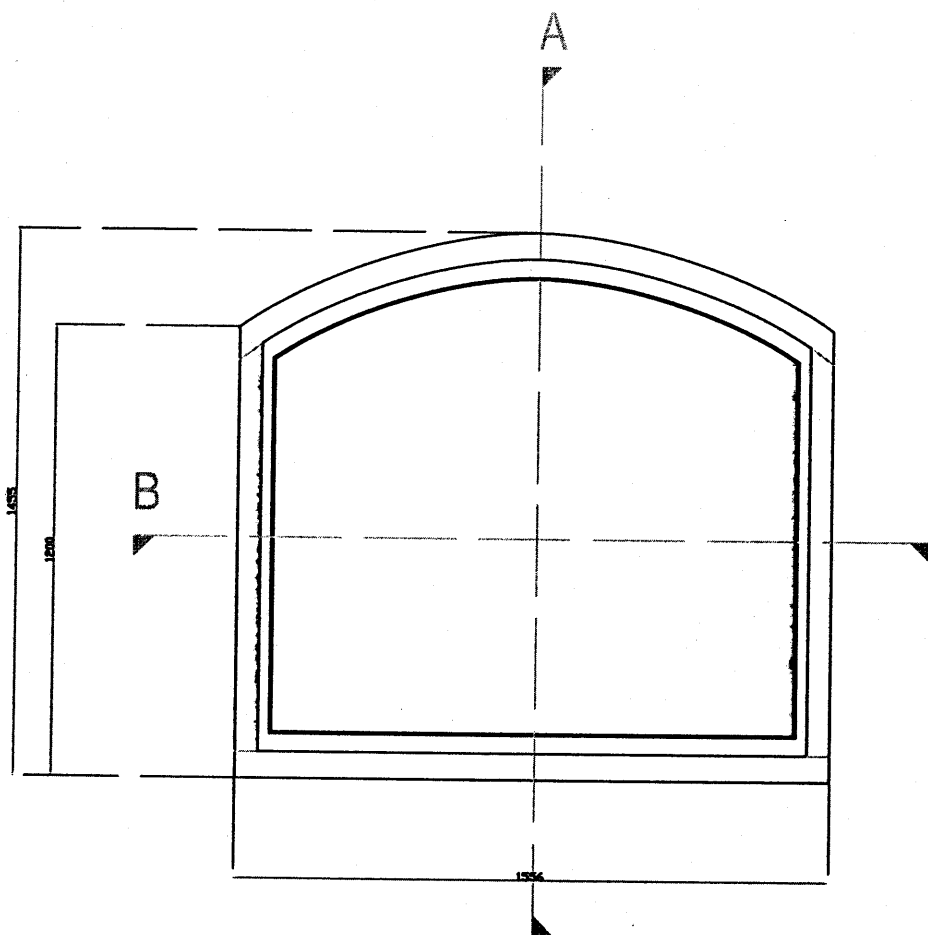
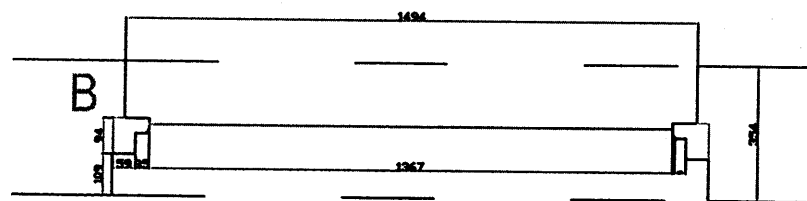
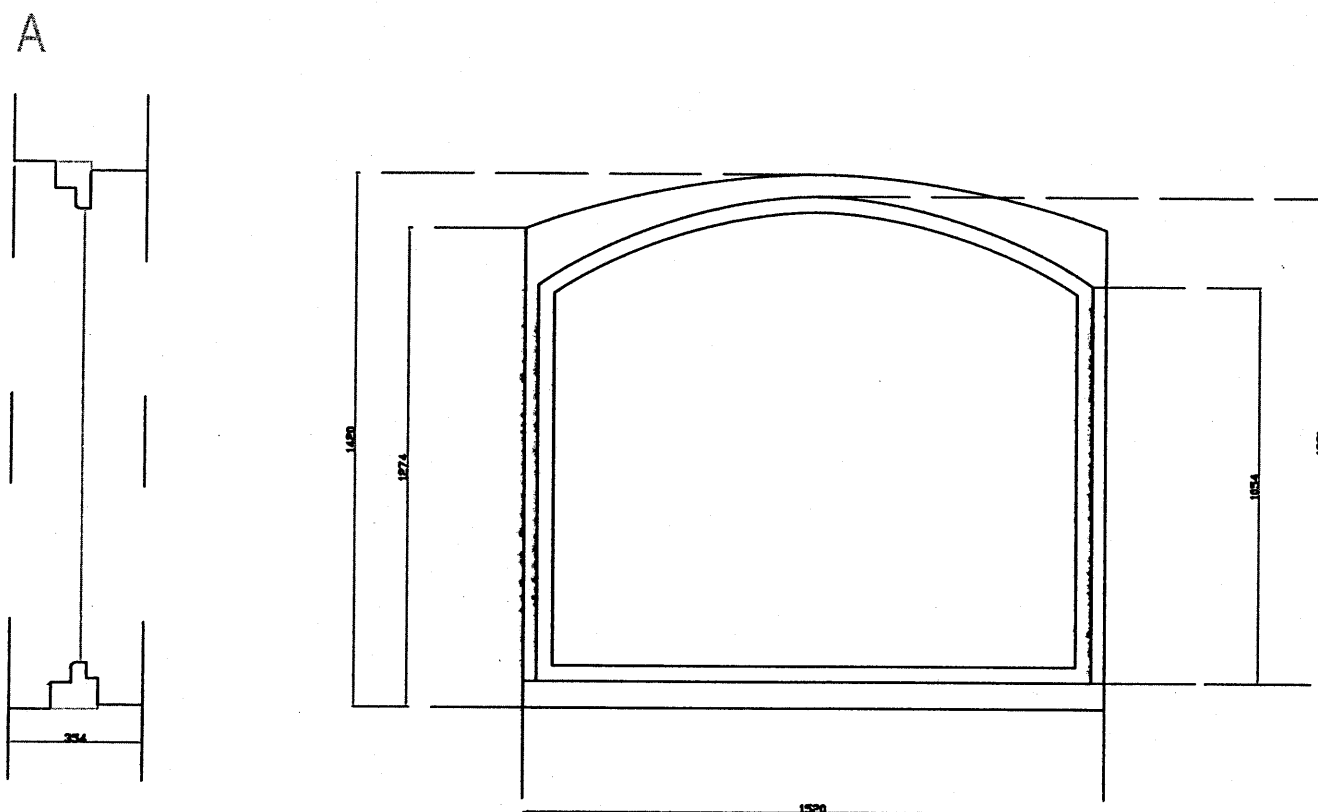


BASEMENT WINDOW V.3

Internal Elevation



External Elevation



Notes:

Rev.	Amendment	Date

Project: Measured Building Surveys

Site: 33 & 1/3 Fitzroy Square, W1

Title: Internal & External Elevation
Horizontal & Vertical Cross-Section
Basement Window

Code: PRSD-CAD001-FSQ-15

Scale: 1:20 Date: 20/08/2010


www.complement-surveys.co.uk
T 020 7226 6761