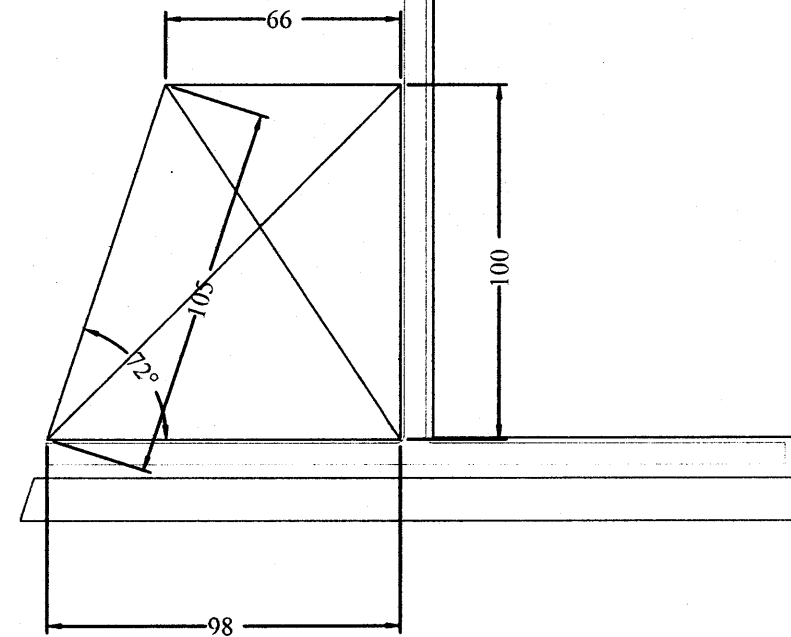


ROOF FINISH UNKNOWN

Lead flashing by Others



PRELIMINARY

SOLAR VISION LIMITED
Tel. 01366 377010
e-mail: dave@solarvisionlimited.co.uk

PROJECT:
33 Fitzroy Square
London
W1T 6EU

TITLE:
VITRAL Glazing : -
**Head Structure
Requirements**

Project ref: UK -	Contract ref: 8004	
Drawn by: DBS	Date: 26-08-08	
Drawing No. 10 of	Rev. P1	SCALE 1:2 @