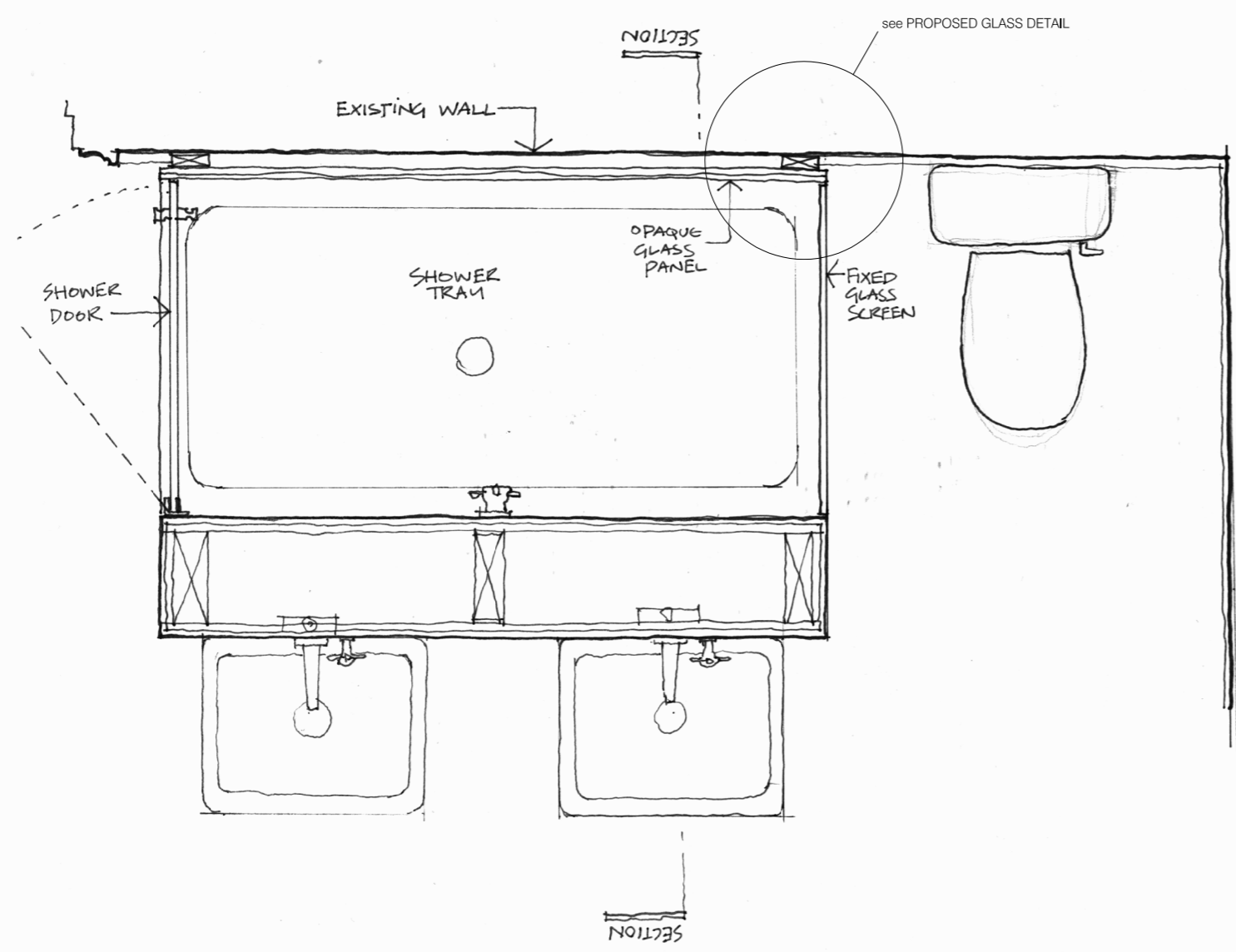
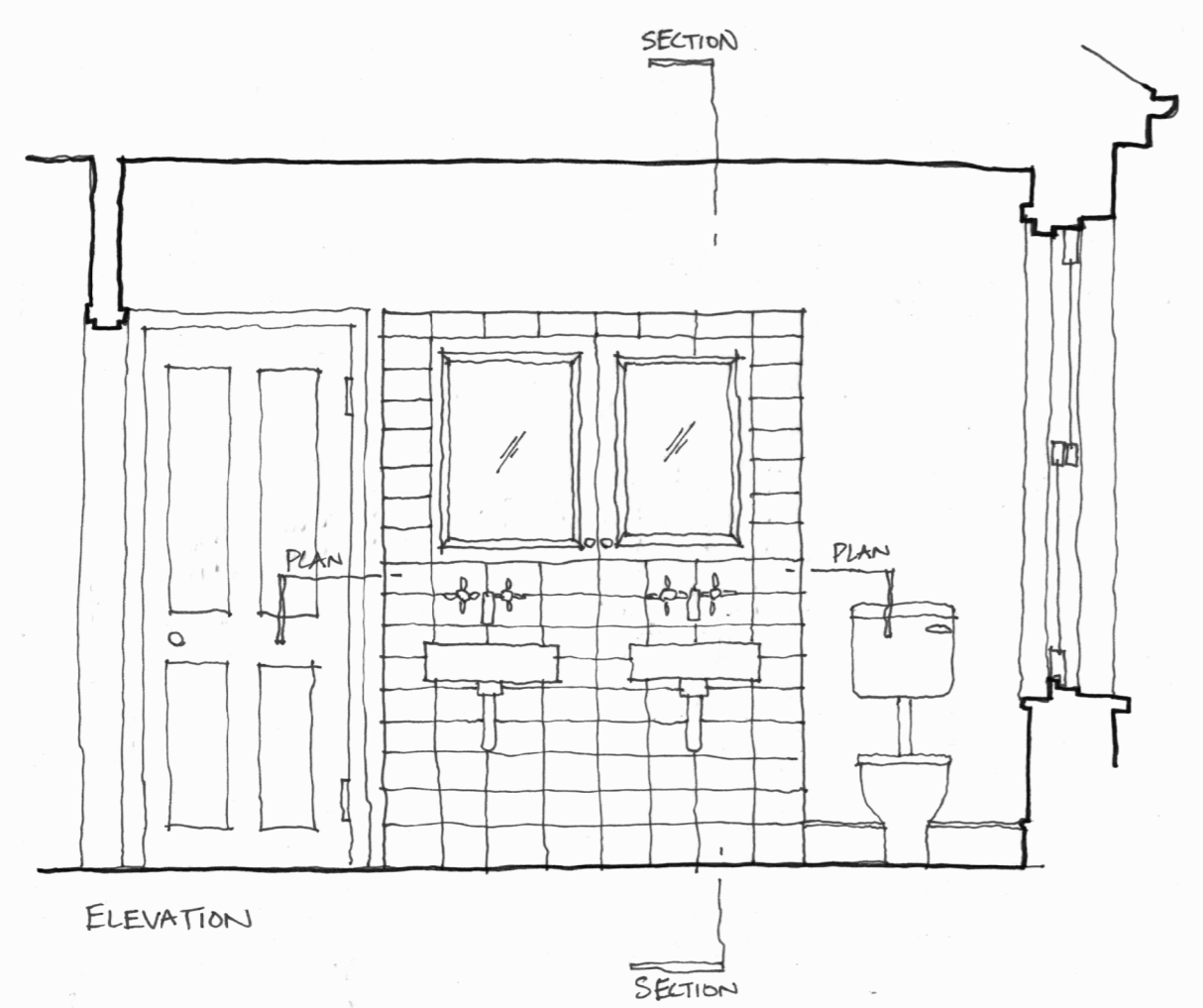


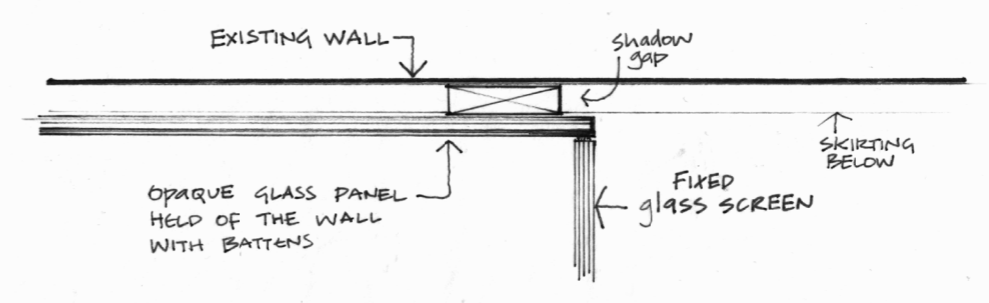
These plans and specifications prepared by Brian O'Reilly Architects as instruments of professional service shall remain the property of Brian O'Reilly Architects. These plans may not be copied or revealed without the express written consent of Brian O'Reilly Architects. The use of these plans for construction is permitted only when specifically released for construction reference by a dated authorized signature. These plans are project and site specific and shall only be used for that intended purpose unless otherwise permitted by written consent of Brian O'Reilly Architects. All dimensions shown are indicative and must be double checked on site by the contractor. Any discrepancies found must be reported to Brian O'Reilly Architects. DO NOT SCALE FROM THE DRAWING



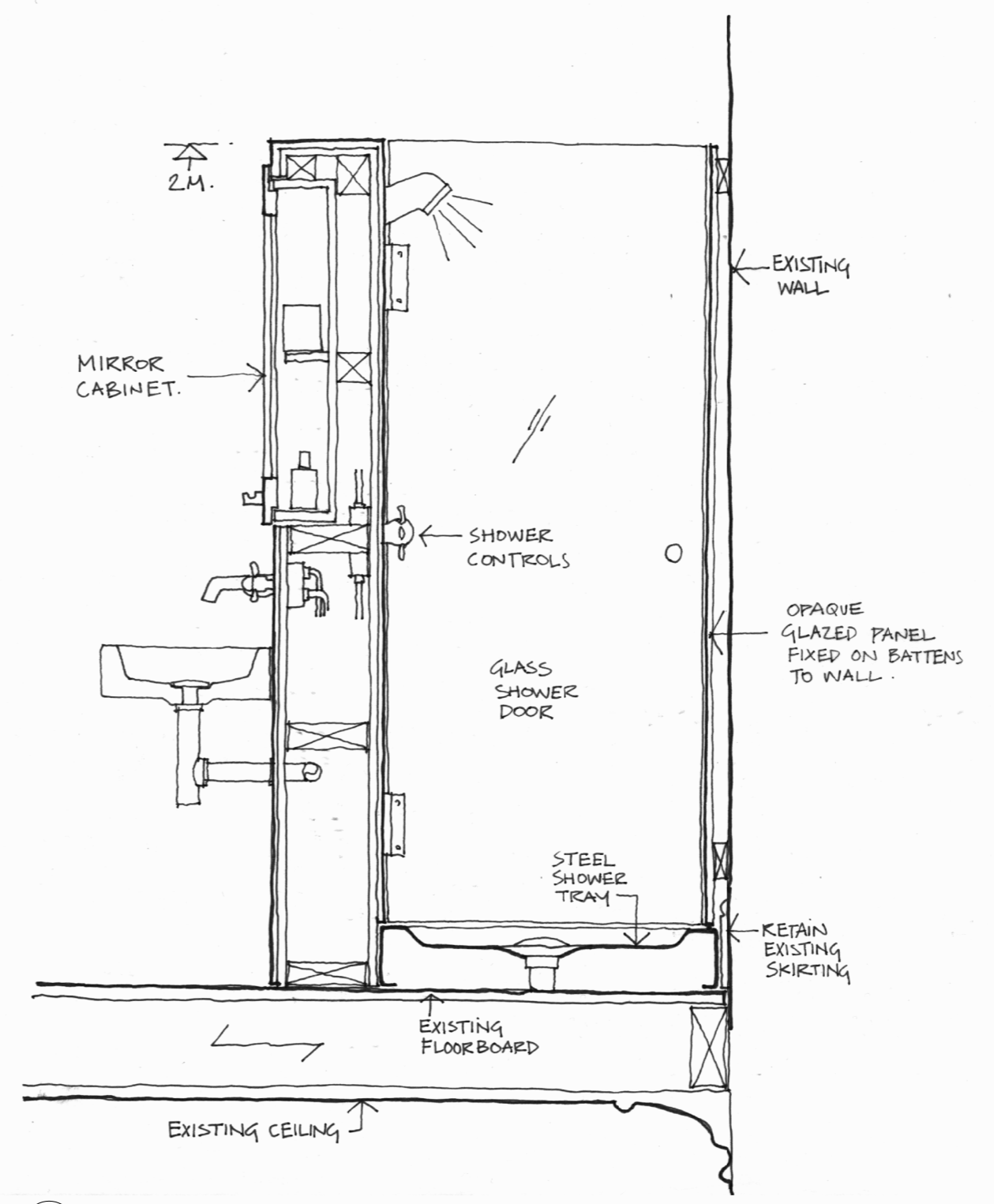
01 PROPOSED PLAN
289 SCALE 1:10



02 PROPOSED ELEVATION
289 SCALE 1:20



03 PROPOSED GLASS DETAIL
289 SCALE 1:5



04 PROPOSED SECTION
289 SCALE 1:10