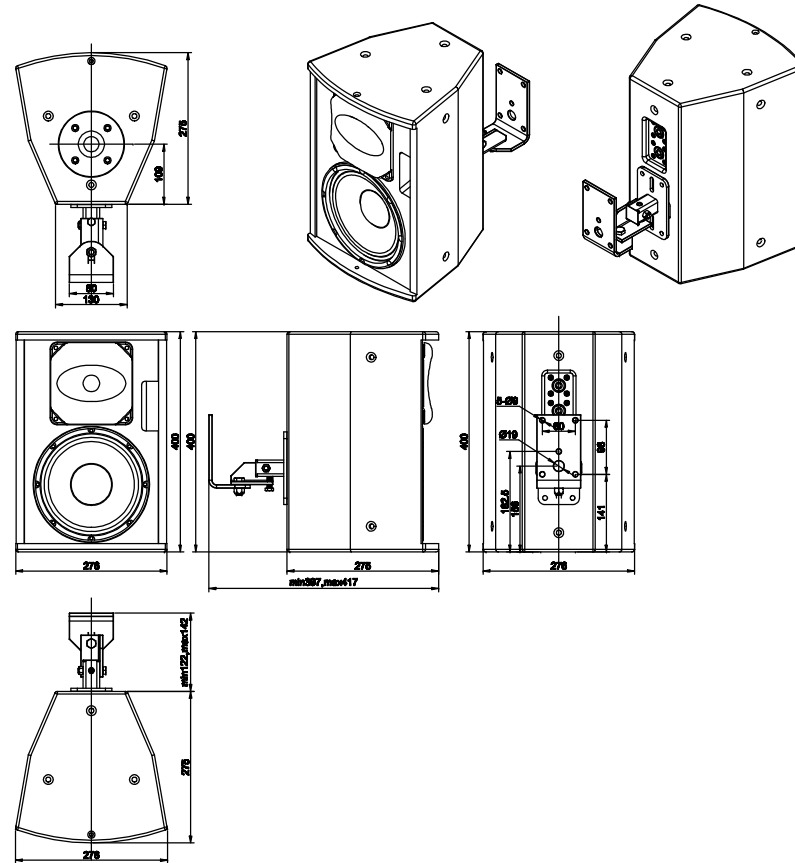


Point Source Enclosure Speakers

section drawings



Mycro 8

Scale 1:7.25