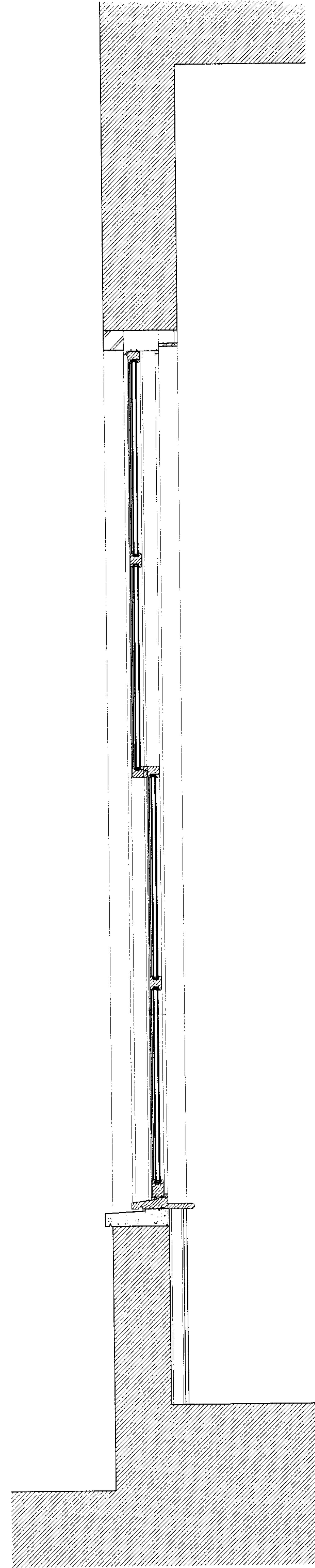
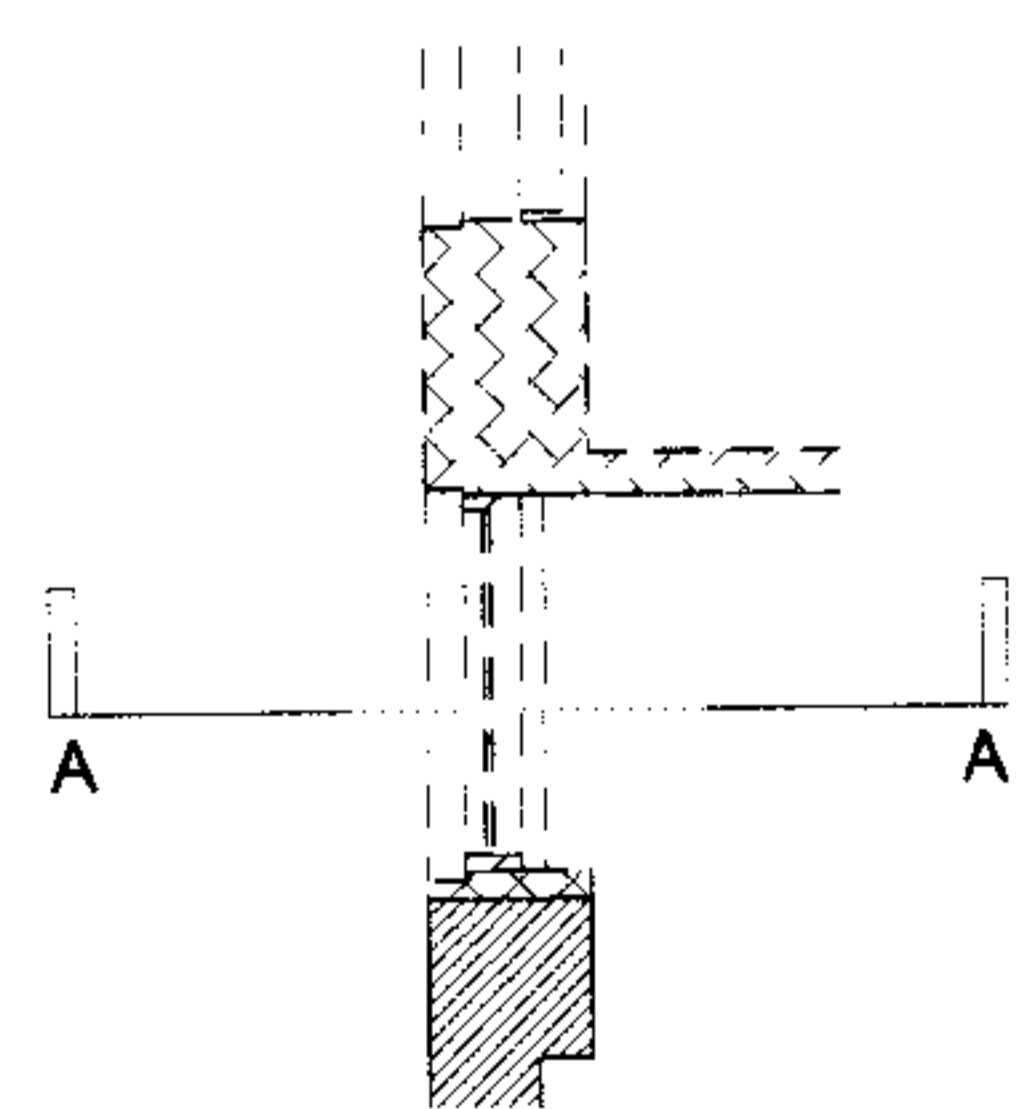


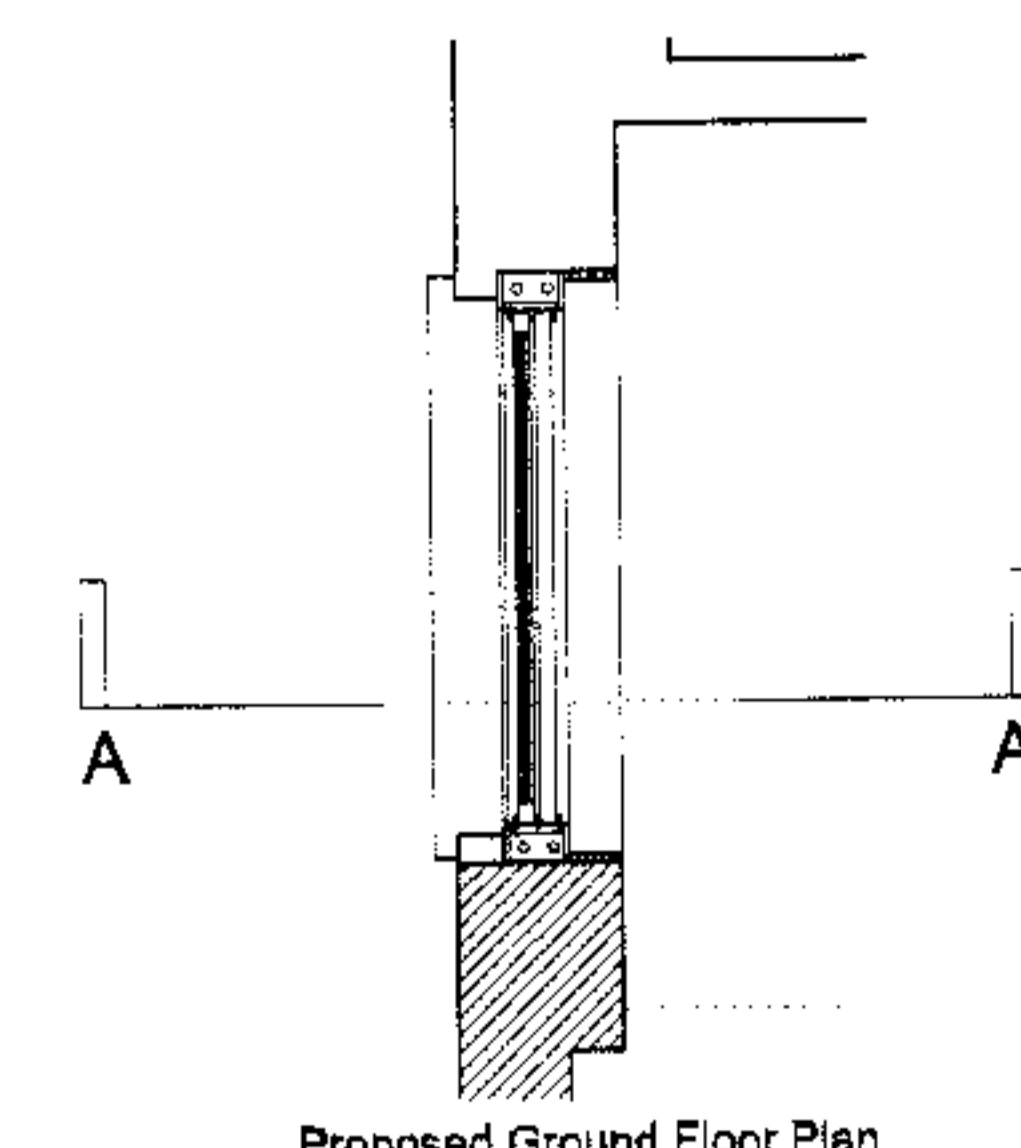
Demolitions Section AA
Scale - 1:20



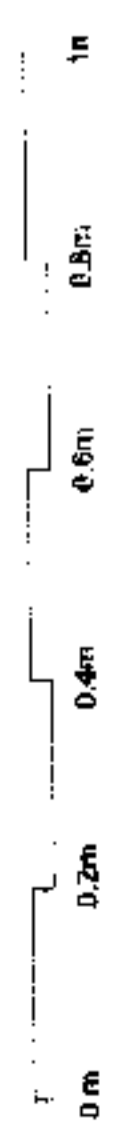
Proposed Section AA
Scale - 1:20



Demolitions Ground Floor Plan
Scale - 1:50



Proposed Ground Floor Plan
Scale - 1:50



CW ^A

Key:
--- Line Denotes Removal of Existing Structure
--- Dash Denotes Removal of Existing Structure