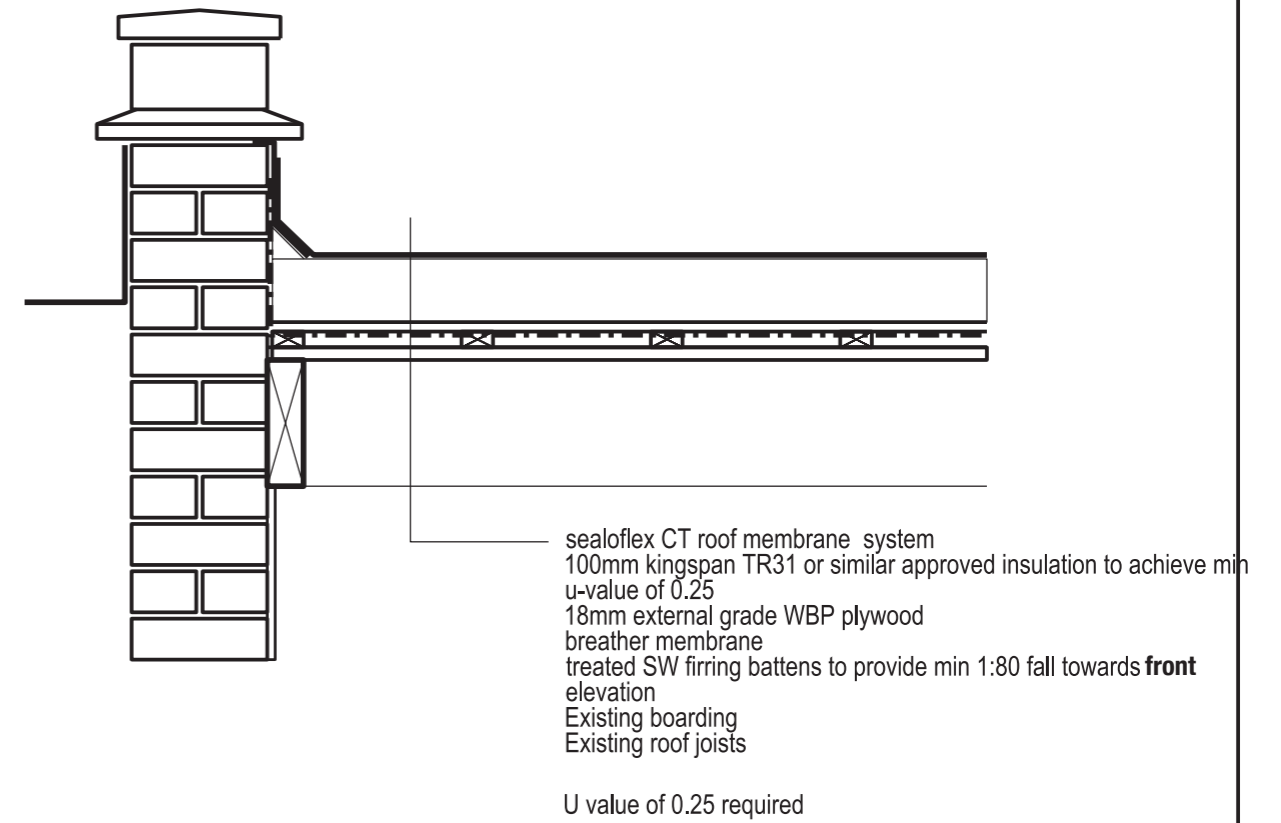
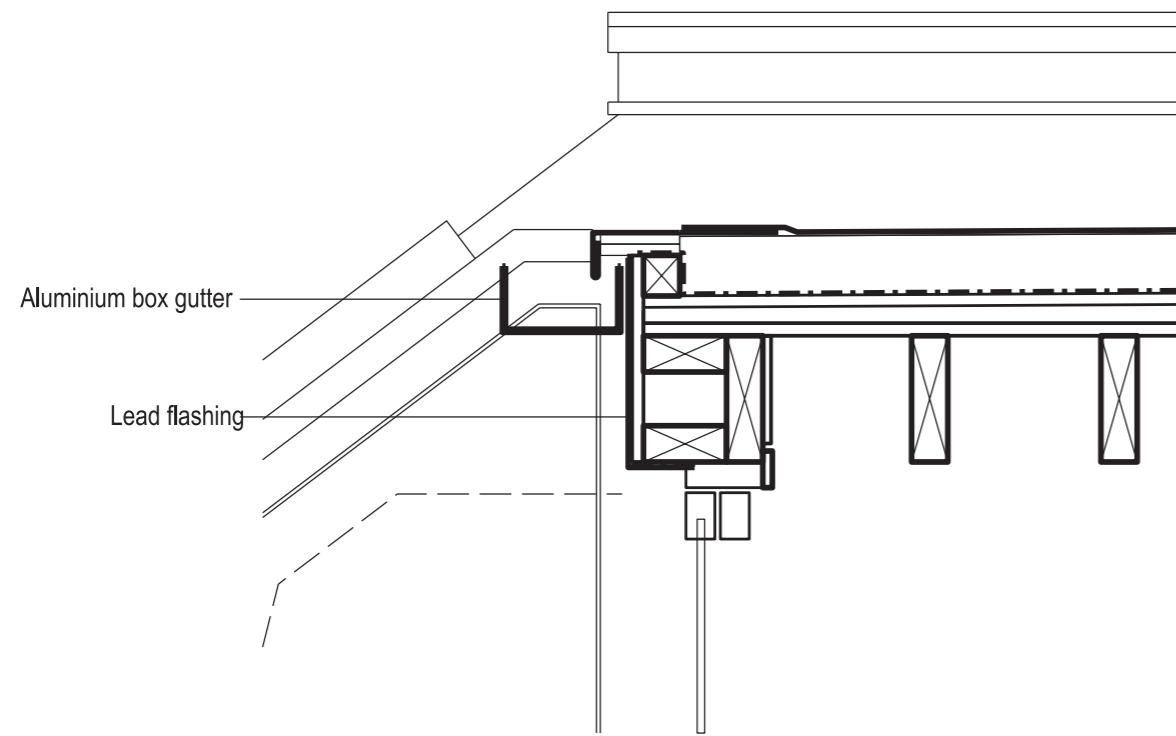


sealoflex CT roof membrane system
 100mm kingspan TR31 or similar approved insulation to achieve min
 u-value of 0.25
 18mm external grade WBP plywood
 breather membrane
 treated SW furring battens to provide min 1:80 fall towards rear
 elevation
 Existing boarding
 Existing roof joists



sealoflex CT roof membrane system
 100mm kingspan TR31 or similar approved insulation to achieve min
 u-value of 0.25
 18mm external grade WBP plywood
 breather membrane
 treated SW furring battens to provide min 1:80 fall towards **front**
 elevation
 Existing boarding
 Existing roof joists

 U value of 0.25 required



Project
47 Arlington Road

Status
PRELIMINARY

Drawing
SECTIONS - sheet 3

Drwg No :
 286_20_223

Scale :
 1:25@A3

Date :
 22.04.08