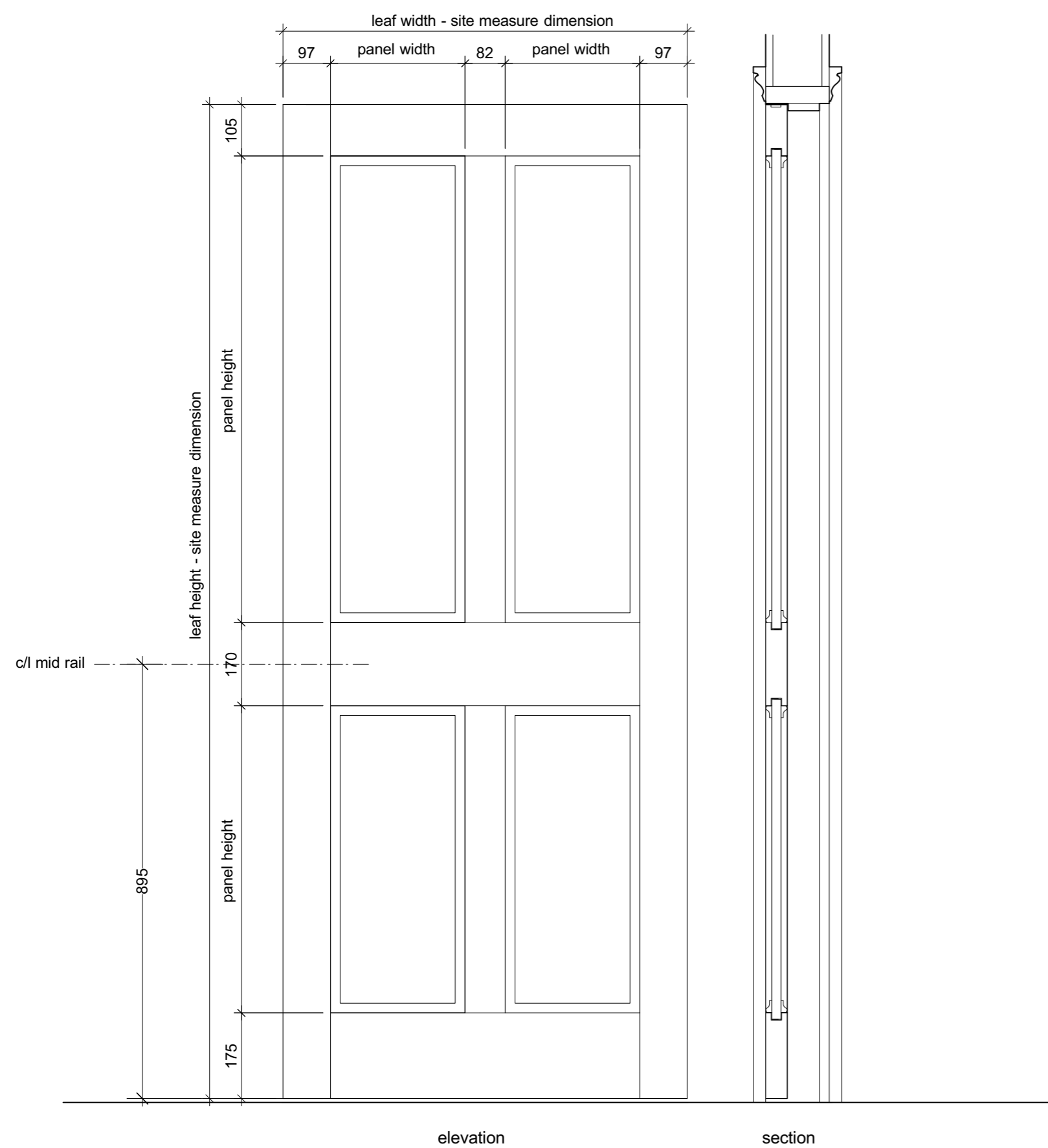
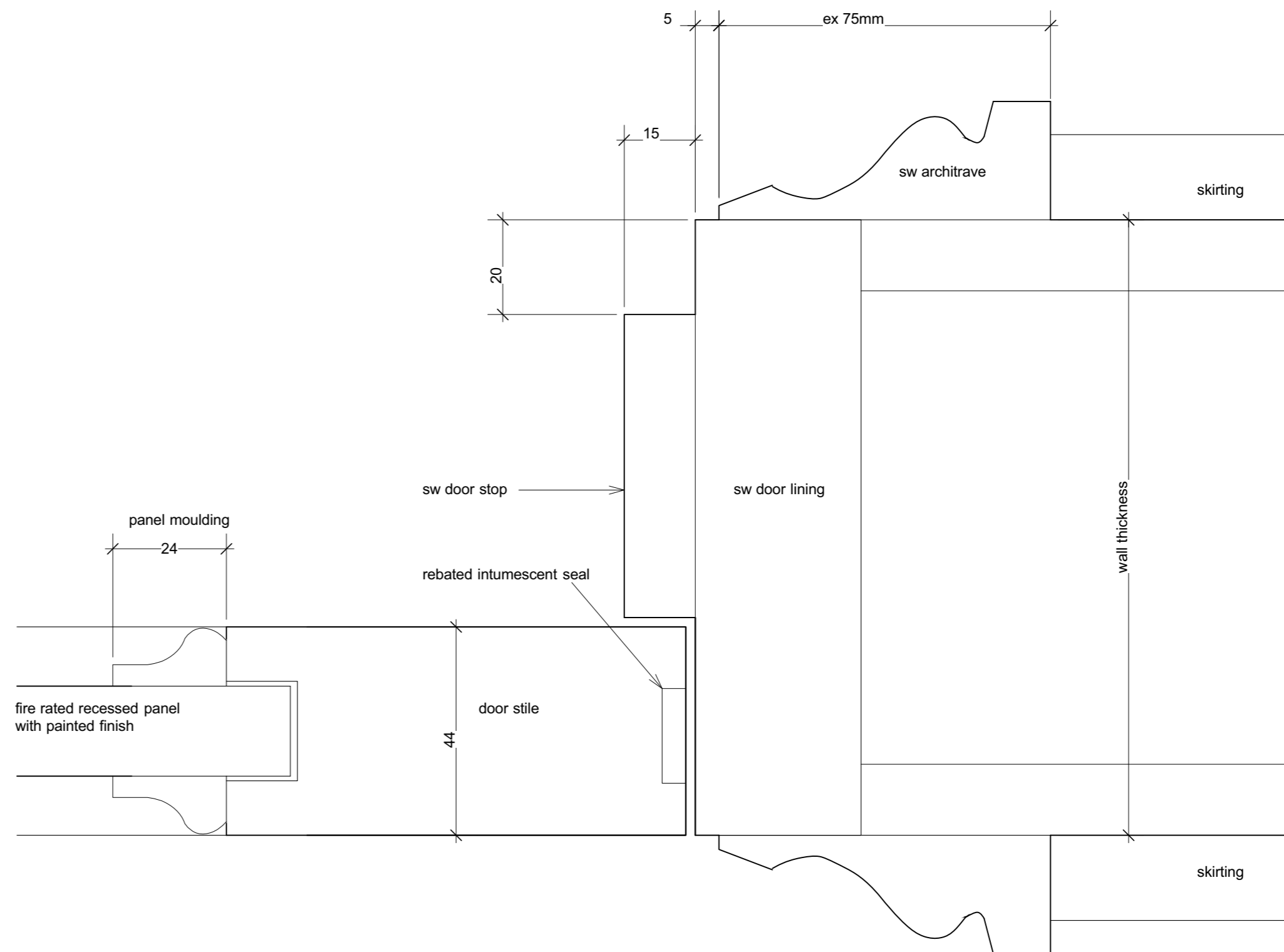


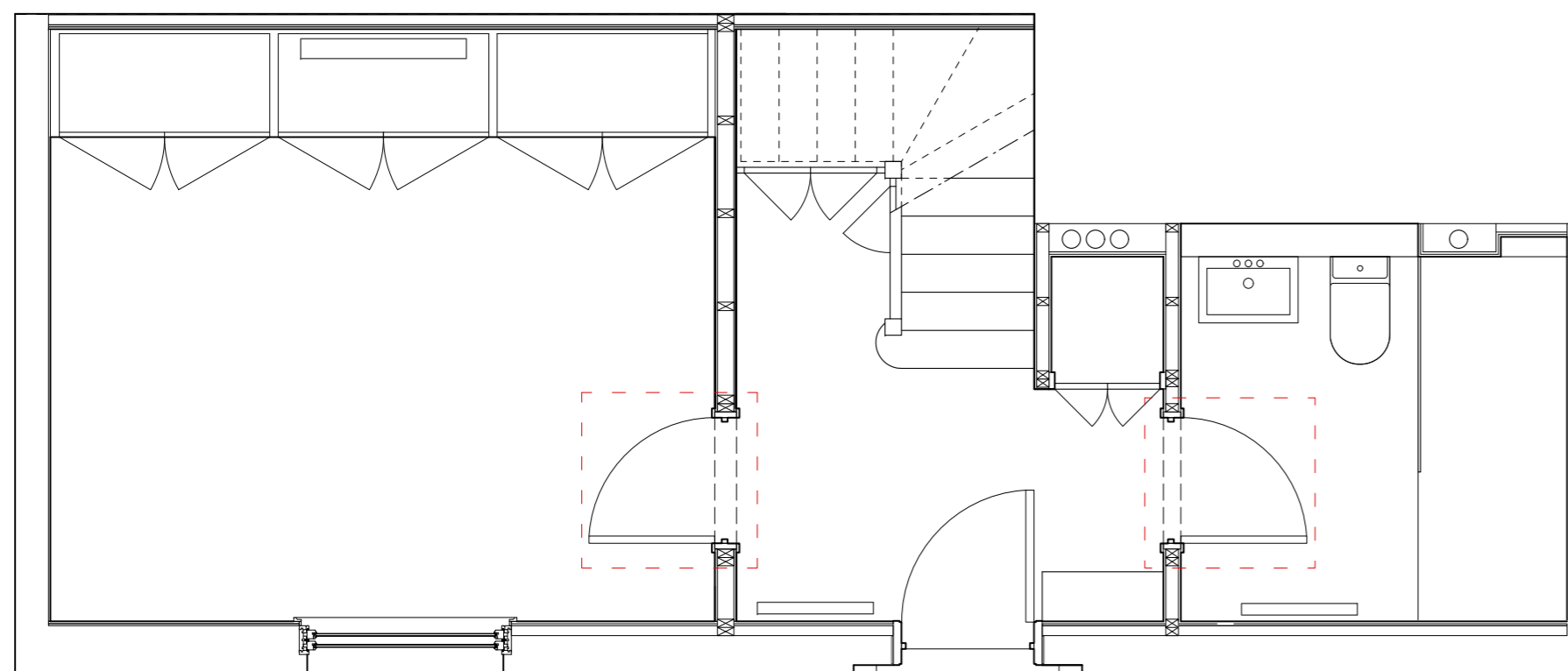
REVISION	NOTES	DATE
A	FLOOR PLAN SHOWING POSITION OF INTERIOR DOORS	13/04/11
B	MOULDING PROFILE REVISED	13/04/11



INTERIOR DOOR DETAILS - ELEVATION AND SECTION
Scale 1:10



INTERIOR DOOR DETAILS - FRAME & ARCHITRAVE
Scale 1:1



GROUND FLOOR PLAN SHOWING POSITION OF INTERIOR DOORS

CLIENT

R Kime

PROJECT

42 Museum Street
London WC1A 1LY

TITLE

Interior door details

DRAWING NO. 0170-703 SCALE 1:10 & 1:1 DATE April 11

STATUS Planning REV B

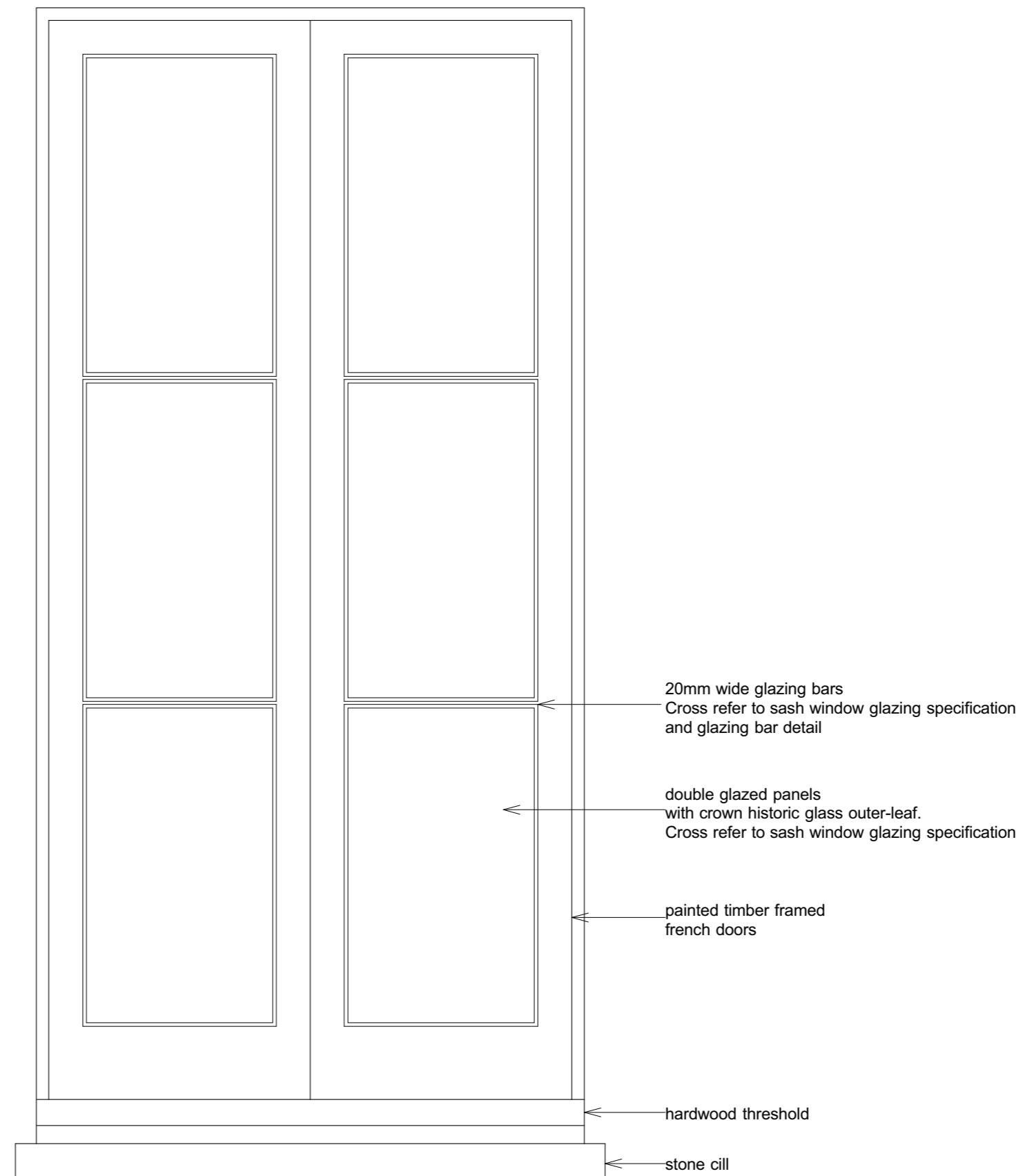
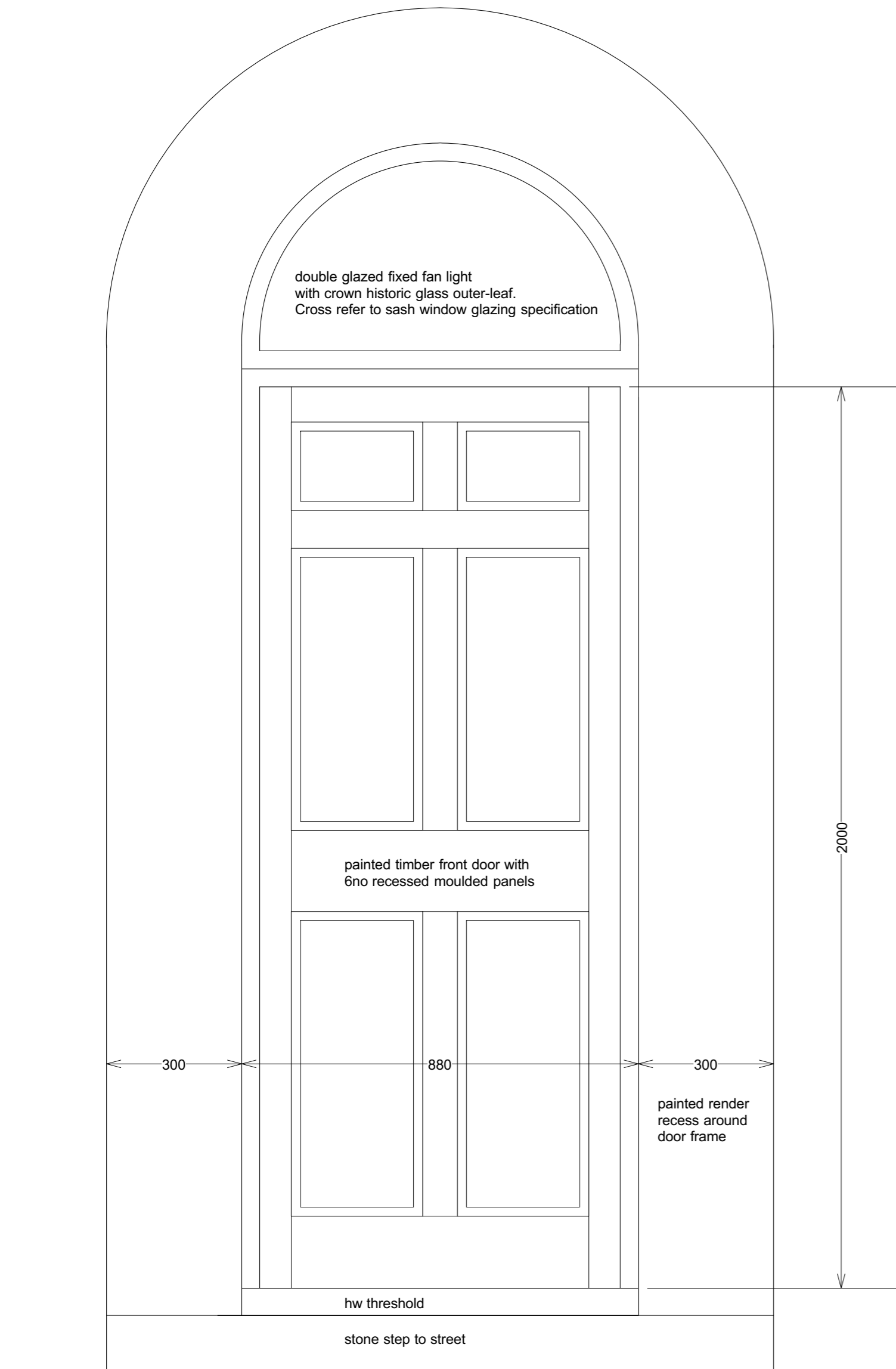
Stephen Turvil Architects

51A Upland Road London SE22 9EF
t 020 8299 6169 f 020 8693 2401
info@stephenturvilarchitects.com
www.stephenturvilarchitects.com

All dimensions to be checked on site.

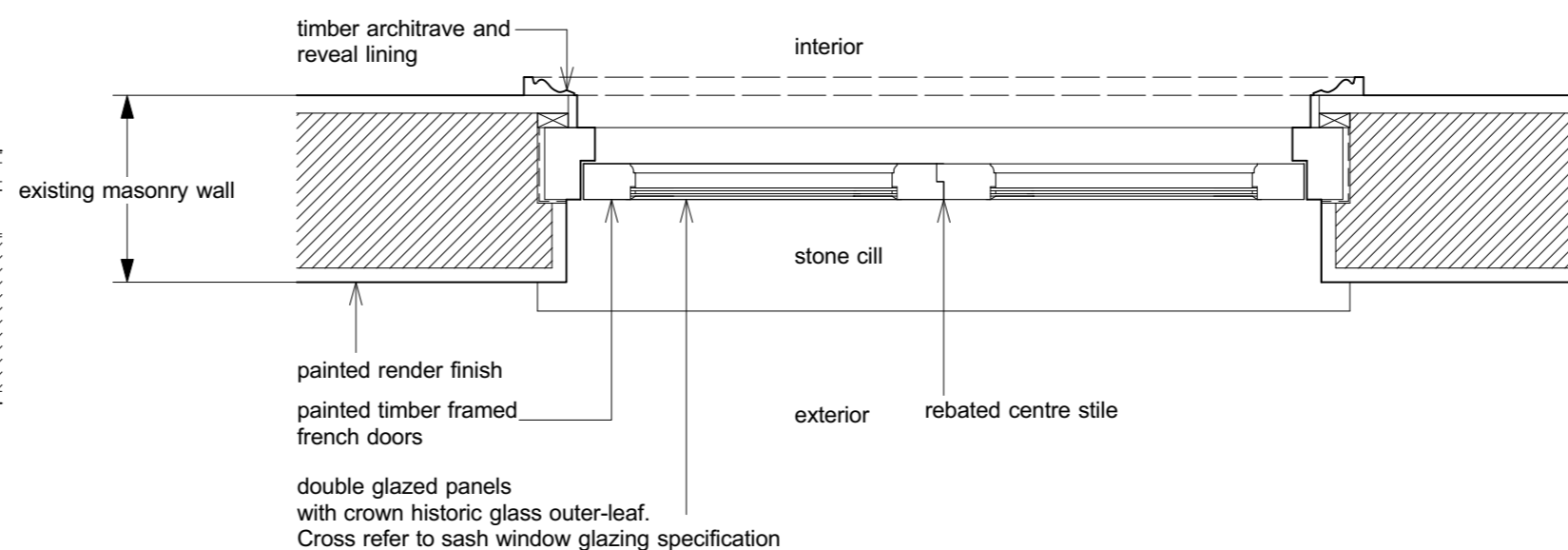
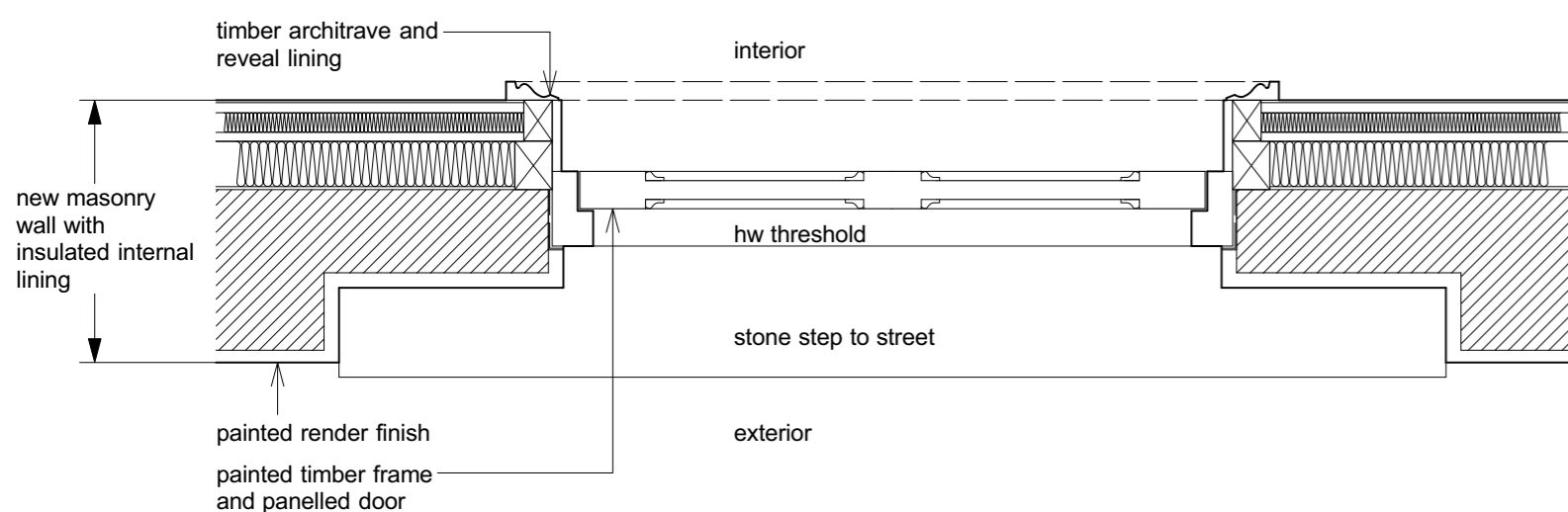
Any errors or omissions must be reported to the architect.

REVISION	NOTES	DATE
A	MOULDING PROFILE ADDED	13/04/11
B	MOULDING PROFILE REVISED	13/04/11



PROPOSED FRENCH DOOR DETAILS - ELEVATION AND PLAN SECTION
Scale 1:10

PROPOSED FRONT DOOR DETAILS - ELEVATION AND PLAN SECTION
Scale 1:10



CLIENT

R Kime

PROJECT

42 Museum Street
London WC1A 1LY

TITLE

Exterior door details

DRAWING NO.

0170-704

SCALE

1:10

DATE

April 11

STATUS

Planning

REV

B

Stephen Turvil Architects

51A Upland Road t 020 8299 6169
London SE22 9EF f 020 8693 2401
info@stephenturvilarchitects.com
www.stephenturvilarchitects.com

© reserved