

THIS DRAWING IS BASED ON DIMENSIONAL SURVEY INFORMATION PROVIDED BY OTHERS. THE ARCHITECT CANNOT ACCEPT RESPONSIBILITY FOR THE ACCURACY OF THIS SURVEY INFORMATION.

THIS DRAWING SHOULD BE READ IN CONJUNCTION WITH ALL RELEVANT DRAWINGS, SPECIFICATIONS, SCHEDULES AND OTHER CONTRACT INFORMATION ISSUED BY THE ARCHITECT, STRUCTURAL ENGINEER, SERVICES ENGINEER AND ANY OTHER CONSULTANT EMPLOYED OR RETAINED BY THE EMPLOYER IN RESPECT OF THESE WORKS.

IN THE CASE OF NEW WORKS, ALL DIMENSIONS SHOWN ARE TO THE FACE OF MASONRY, METAL OR TIMBER STUD FRAMING, OR THE CENTRE LINE OF STRUCTURAL STEEL MEMBERS, UNLESS NOTED OTHERWISE.

DO NOT SCALE FROM THIS DRAWING.

REPORT ANY DISCREPANCIES, CONFLICTS, ERRORS OR OMISSIONS TO THE CA AND SEEK DIRECTIONS BEFORE PROCEEDING.

CONFIRM ALL DIMENSIONS AND LEVELS ON SITE PRIOR TO COMMENCING WORK. IF IN DOUBT ASK!

THIS DRAWING REMAINS THE COPYRIGHT OF **BURRELL FOLEY FISCHER LLP**

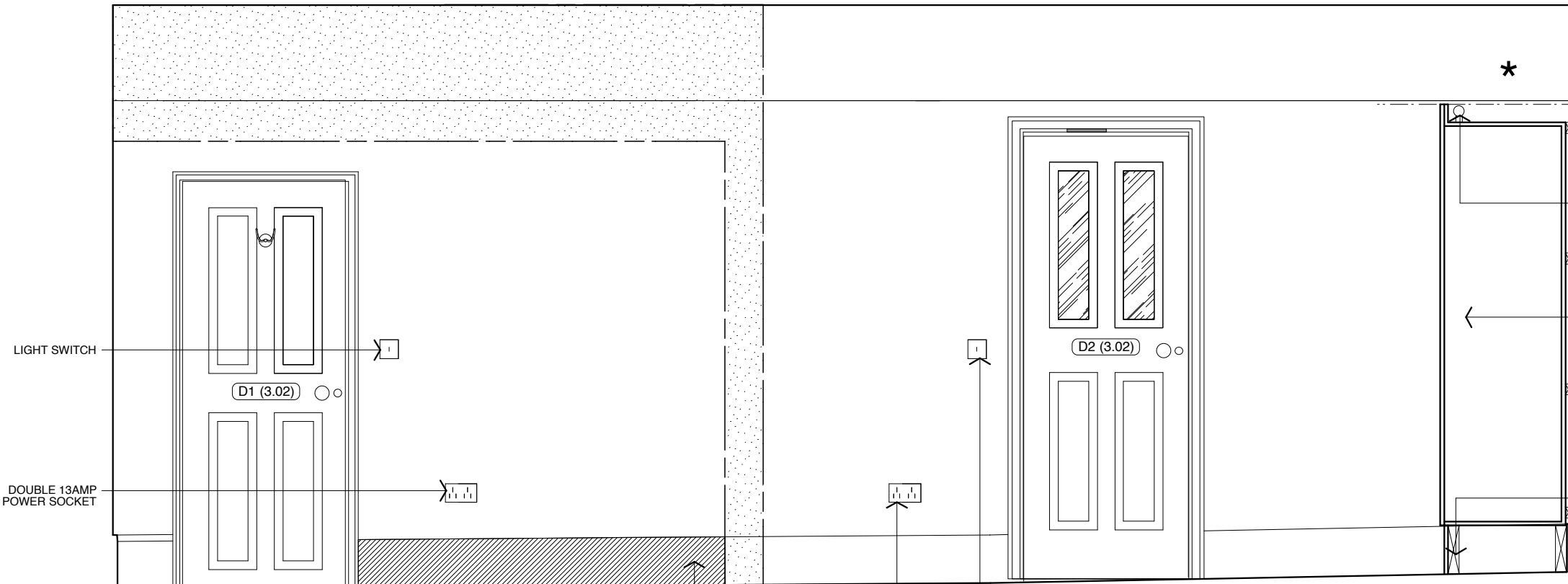
KEY

NEW TIMBER MOULDING SECTION TO MATCH ORIGINAL

LIME PLASTER REPAIRS AS **M20/___**

PLASTER COATING AS **M20/351x**

REMOVE FRIABLE PLASTER TO WINDOW EDGE TO WALL, FILL & PLASTER COAT AS **M20/___**



FIXED CUPBOARDS TO ALIGN WITH TOP OF WINDOW HEAD

* **NOTE:** WALLS MAY NOT BE PLUMB, ALLOW FOR SW FIXING GROUNDS. SCRIBE AROUND SKIRTINGS IF REQUIRED

CONCEALED FLUORESCENT LIGHT REFER TO SERVICES ENGINEERS DRAWING **V21J005**

NEW WARDROBE JOINERY AS **N10/110M**

NOTE: WALLS MAY NOT BE PLUMB, SW BATTENING & SCRIBED FILLET TO BE PROPOSED TO INFILL BETWEEN JOINERY AND WALLS, IF REQUIRED

BASE PLINTH TO MATCH SKIRTING HEIGHT

LIGHT SWITCH

DOUBLE 13AMP POWER SOCKET

FOR DOOR DETAILS REFER TO BFF DWG AA(32)42-01

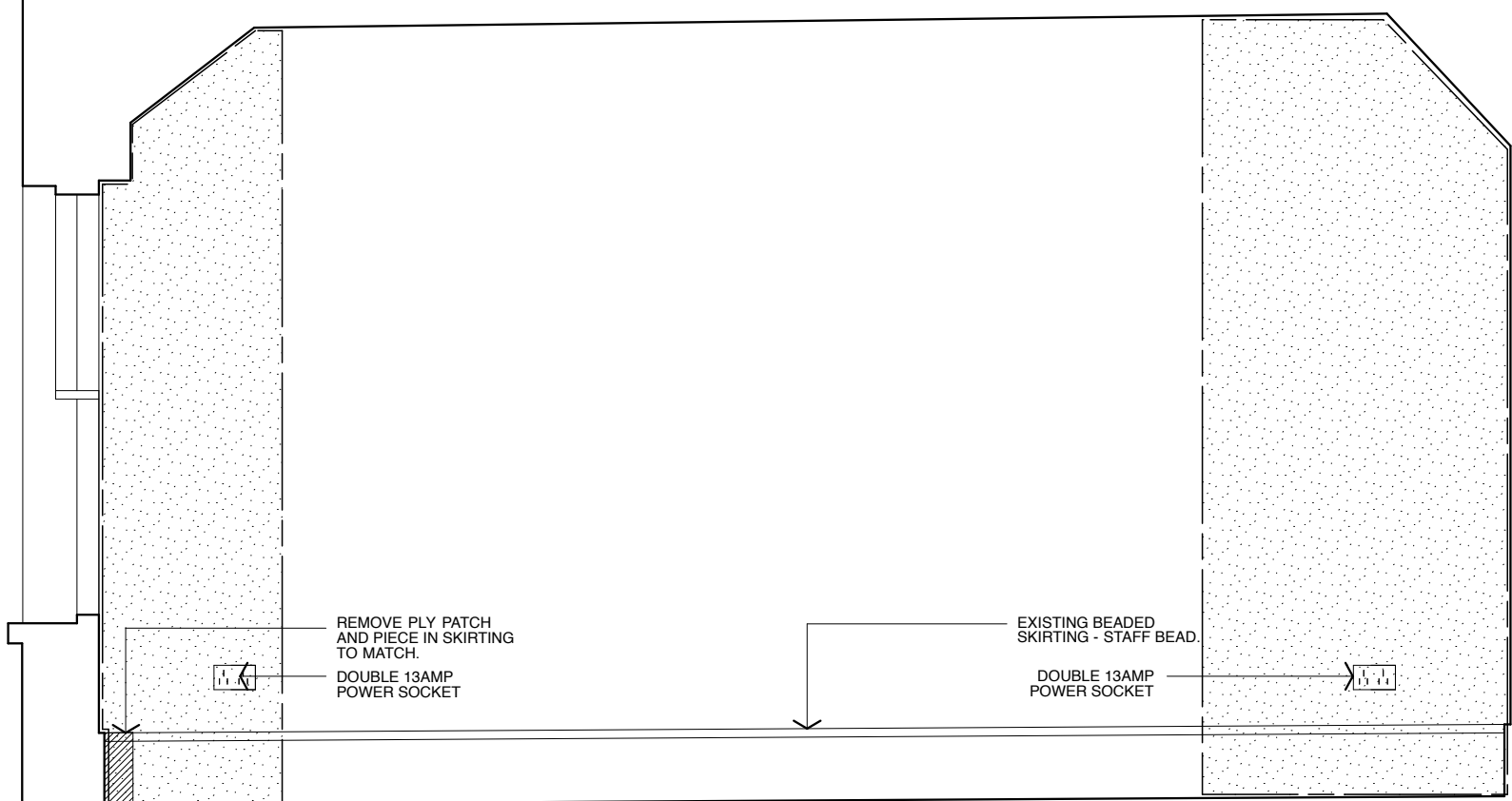
ELEVATION 2 SCALE 1:25 @ A3

FOR DOOR DETAILS REFER TO BFF DWG AA(32)43-01 & AA(32)43-02

NEW PENCIL ROUNDED SKIRTING TO MATCH EXISTING

DOUBLE 13AMP POWER SOCKET

LIGHT SWITCH



REMOVE PLY PATCH AND PIECE IN SKIRTING TO MATCH.

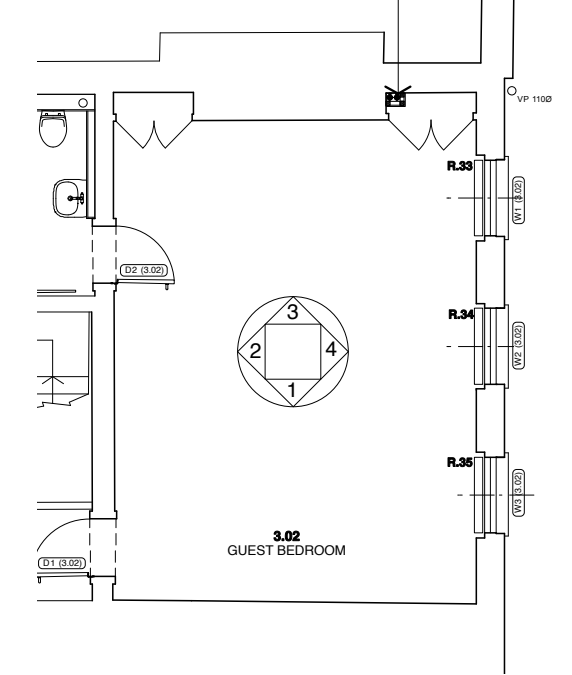
DOUBLE 13AMP POWER SOCKET

EXISTING BEADED SKIRTING - STAFF BEAD.

DOUBLE 13AMP POWER SOCKET

ELEVATION 1 SCALE 1:25 @ A3

KEY TO ELEVATIONS



BOX IN FLOW & RETURN PIPEWORK

3.02
GUEST BEDROOM

T2 ISSUED FOR TENDER FWD AJ 07.12.10
REV NO: REV DETAILS: BY: CHKD: DATE:

TENDER

DO NOT SCALE OFF THIS DRAWING

BURRELL . FOLEY . FISCHER . LLP

BURRELL FOLEY FISCHER ARCHITECTS & URBAN DESIGNERS
YORK CENTRAL 75-78 YORK WAY NI BAG
TEL 020 7713 5333 FAX 020 7713 5444 E-MAIL mail@bff-architects.co.uk
WEB www.bff-architects.co.uk

JOB: 5 LINCOLN'S INN FIELDS

FOR: PRIVATE CLIENT

AT: 5 LINCOLN'S INN FIELDS

DRAWING TITLE: INTERNAL ELEVATIONS ROOM 3.02 (SHEET 1)

DATE: 18.10.10 SCALE: 1:25@A3

DRAWN BY: SH CHECKED BY: AJ

JOB NO: BFF/1019 S/WG NO: AL(42)059.T2

Copyright ©

THIS DRAWING IS BASED ON DIMENSIONAL SURVEY INFORMATION PROVIDED BY OTHERS. THE ARCHITECT CANNOT ACCEPT RESPONSIBILITY FOR THE ACCURACY OF THIS SURVEY INFORMATION.

THIS DRAWING SHOULD BE READ IN CONJUNCTION WITH ALL RELEVANT DRAWINGS, SPECIFICATIONS, SCHEDULES AND OTHER CONTRACT INFORMATION ISSUED BY THE ARCHITECT, STRUCTURAL ENGINEER, SERVICES ENGINEER AND ANY OTHER CONSULTANT EMPLOYED OR RETAINED BY THE EMPLOYER IN RESPECT OF THESE WORKS.

IN THE CASE OF NEW WORKS, ALL DIMENSIONS SHOWN ARE TO THE FACE OF MASONRY, METAL OR TIMBER STUD FRAMING, OR THE CENTRE LINE OF STRUCTURAL STEEL MEMBERS, UNLESS NOTED OTHERWISE.

DO NOT SCALE FROM THIS DRAWING.

REPORT ANY DISCREPANCIES, CONFLICTS, ERRORS OR OMISSIONS TO THE CA AND SEEK DIRECTIONS BEFORE PROCEEDING.


CONFIRM ALL DIMENSIONS AND LEVELS ON SITE PRIOR TO COMMENCING WORK. IF IN DOUBT ASK!

THIS DRAWING REMAINS THE COPYRIGHT OF **BURRELL FOLEY FISCHER LLP**

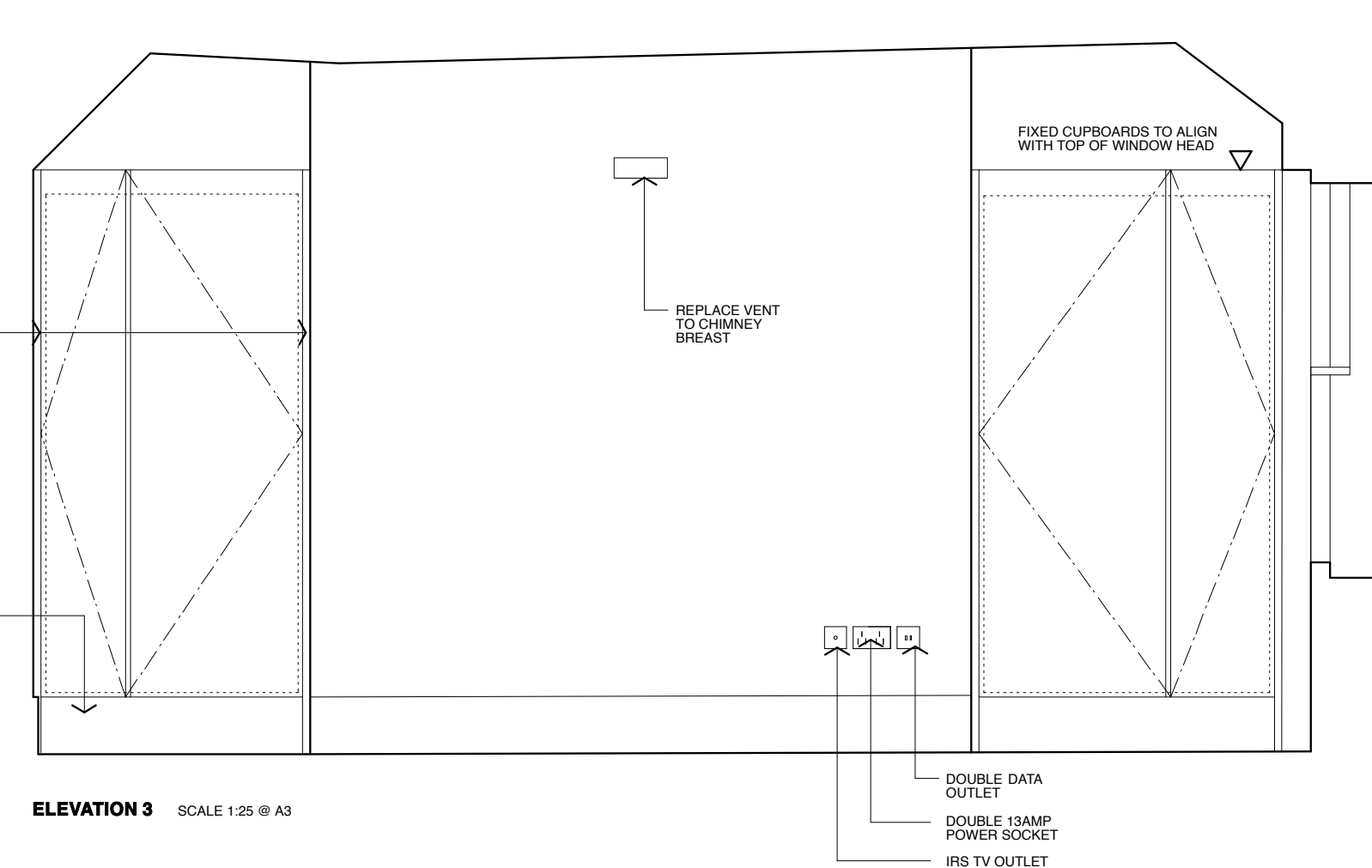
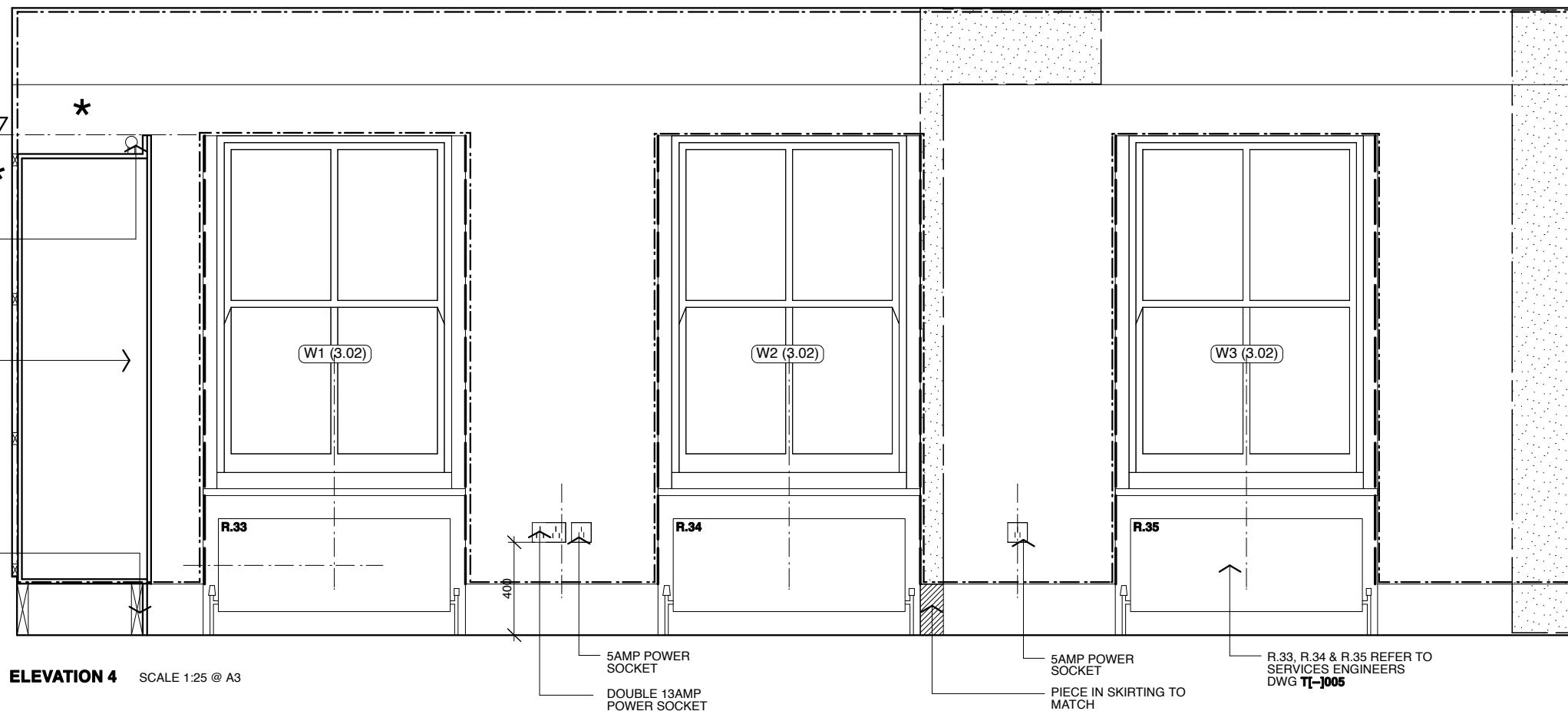
KEY

 NEW TIMBER MOULDING SECTION TO MATCH ORIGINAL

 LIME PLASTER REPAIRS AS M20/___

 PLASTER COATING AS M20/351x

 REMOVE FRIABLE PLASTER TO WINDOW EDGE TO WALL, FILL & PLASTER COAT AS M20/___



T2 ISSUED FOR TENDER FWD AJ 07.12.10
REV NO: REV DETAILS: BY: CHKD: DATE:

TENDER

DO NOT SCALE OFF THIS DRAWING

BURRELL . FOLEY . FISCHER . LLP

BURRELL FOLEY FISCHER ARCHITECTS & URBAN DESIGNERS
YORK CENTRAL 70-78 YORK WAY NI 9AG
TEL 020 7713 5333 FAX 020 7713 5444 E-MAIL mail@bff-architects.co.uk
WEB www.bff-architects.co.uk

JOB: 5 LINCOLN'S INN FIELDS

FOR: PRIVATE CLIENT

AT: 5 LINCOLN'S INN FIELDS

DRAWING TITLE: INTERNAL ELEVATIONS ROOM 3.02 (SHEET 2)

DATE: 18.10.10 SCALE: 1:25@A3

DRAWN BY: SH CHECKED BY: AJ

JOB NO: BFF/1019 DWG NO: AL(42)060.T2

Copyright ©

THIS DRAWING IS BASED ON DIMENSIONAL SURVEY INFORMATION PROVIDED BY OTHERS. THE ARCHITECT CANNOT ACCEPT RESPONSIBILITY FOR THE ACCURACY OF THIS SURVEY INFORMATION.

THIS DRAWING SHOULD BE READ IN CONJUNCTION WITH ALL RELEVANT DRAWINGS, SPECIFICATIONS, SCHEDULES AND OTHER CONTRACT INFORMATION ISSUED BY THE ARCHITECT, STRUCTURAL ENGINEER, SERVICES ENGINEER AND ANY OTHER CONSULTANT EMPLOYED OR RETAINED BY THE EMPLOYER IN RESPECT OF THESE WORKS.

IN THE CASE OF NEW WORKS, ALL DIMENSIONS SHOWN ARE TO THE FACE OF MASONRY, METAL OR TIMBER STUD FRAMING, OR THE CENTRE LINE OF STRUCTURAL STEEL MEMBERS, UNLESS NOTED OTHERWISE.

DO NOT SCALE FROM THIS DRAWING.

REPORT ANY DISCREPANCIES, CONFLICTS, ERRORS OR OMISSIONS TO THE CA AND SEEK DIRECTIONS BEFORE PROCEEDING.

CONFIRM ALL DIMENSIONS AND LEVELS ON SITE PRIOR TO COMMENCING WORK. IF IN DOUBT ASK!

THIS DRAWING REMAINS THE COPYRIGHT OF **BURRELL FOLEY FISCHER LLP**

KEY

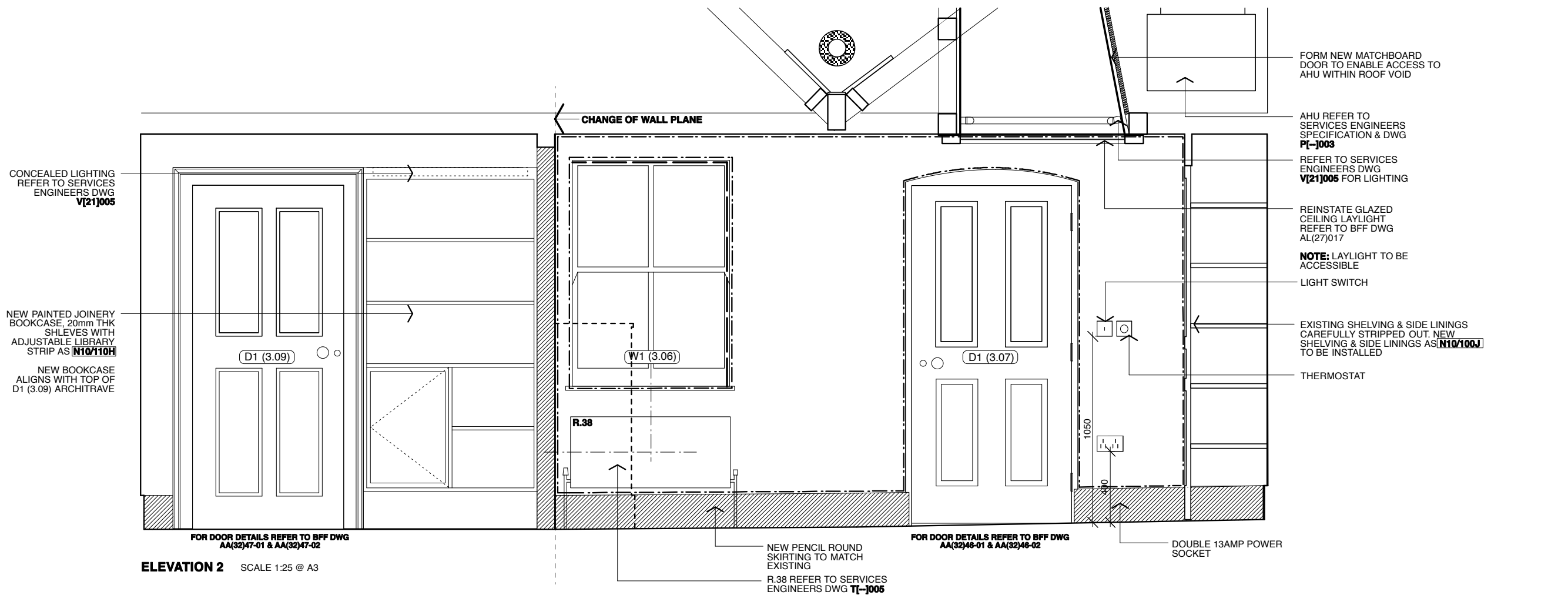
NEW TIMBER MOULDING SECTION TO MATCH ORIGINAL

LATH & PLASTER REPAIRS AS **M20/**

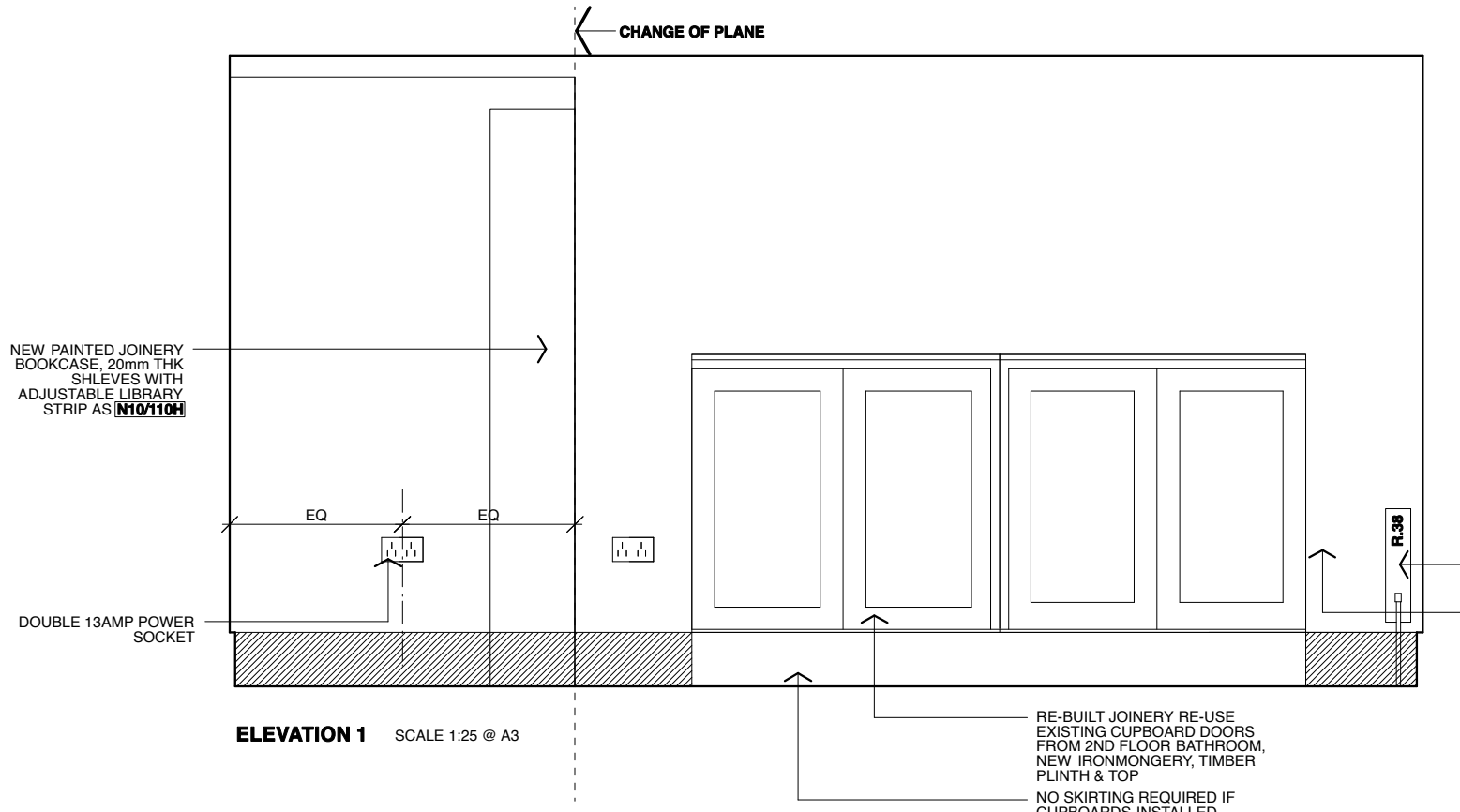
PLASTER COATING AS **M20/**

REMOVE FRIABLE PLASTER TO WINDOW EDGE TO WALL, FILL & PLASTER COAT AS **M20/**

NOTE: DATUM TO BE STRUCK WITHIN ROOM FROM WHERE THE EXISTING SOCKET POSITIONS ARE RE-USED, ALL NEW SMALL POWER SOCKETS / FACE PLATES ARE TO ALIGN WITHIN ROOM.

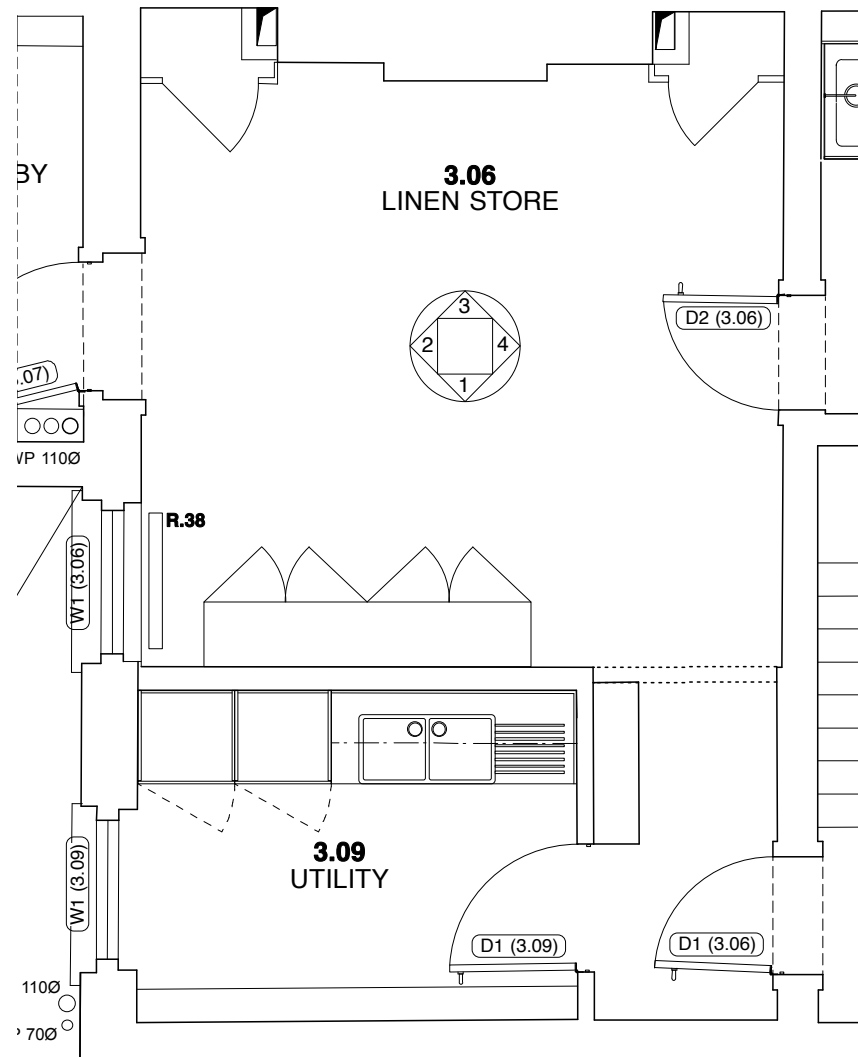


ELEVATION 2 SCALE 1:25 @ A3



ELEVATION 1 SCALE 1:25 @ A3

KEY TO ELEVATIONS



T2 ISSUED FOR TENDER FWD AJ 07.12.10
REV NO: REV DETAILS: BY: CHKD: DATE:

TENDER

DO NOT SCALE OFF THIS DRAWING

BURRELL . FOLEY . FISCHER . LLP

BURRELL FOLEY FISCHER ARCHITECTS & URBAN DESIGNERS
YORK CENTRAL 75-78 YORK WAY NI BAG
TEL 020 7713 5333 FAX 020 7713 5444 E-MAIL mail@bff-architects.co.uk
WEB www.bff-architects.co.uk

JOB: 5 LINCOLN'S INN FIELDS

FOR: PRIVATE CLIENT

AT: 5 LINCOLN'S INN FIELDS

DRAWING TITLE: INTERNAL ELEVATIONS ROOM 3.06 (SHEET 1)

DATE: 18.10.10 SCALE: 1:25@A3

DRAWN BY: SH CHECKED BY: AJ

JOB NO: BFF/1019 DWG NO: AL(42)063.T2

Copyright ©

THIS DRAWING IS BASED ON DIMENSIONAL SURVEY INFORMATION PROVIDED BY OTHERS. THE ARCHITECT CANNOT ACCEPT RESPONSIBILITY FOR THE ACCURACY OF THIS SURVEY INFORMATION.

THIS DRAWING SHOULD BE READ IN CONJUNCTION WITH ALL RELEVANT DRAWINGS, SPECIFICATIONS, SCHEDULES AND OTHER CONTRACT INFORMATION ISSUED BY THE ARCHITECT, STRUCTURAL ENGINEER, SERVICES ENGINEER AND ANY OTHER CONSULTANT EMPLOYED OR RETAINED BY THE EMPLOYER IN RESPECT OF THESE WORKS.





IN THE CASE OF NEW WORKS, ALL DIMENSIONS SHOWN ARE TO THE FACE OF MASONRY, METAL OR TIMBER STUD FRAMING, OR THE CENTRE LINE OF STRUCTURAL STEEL MEMBERS, UNLESS NOTED OTHERWISE.

DO NOT SCALE FROM THIS DRAWING.

REPORT ANY DISCREPANCIES, CONFLICTS, ERRORS OR OMISSIONS TO THE CA AND SEEK DIRECTIONS BEFORE PROCEEDING.

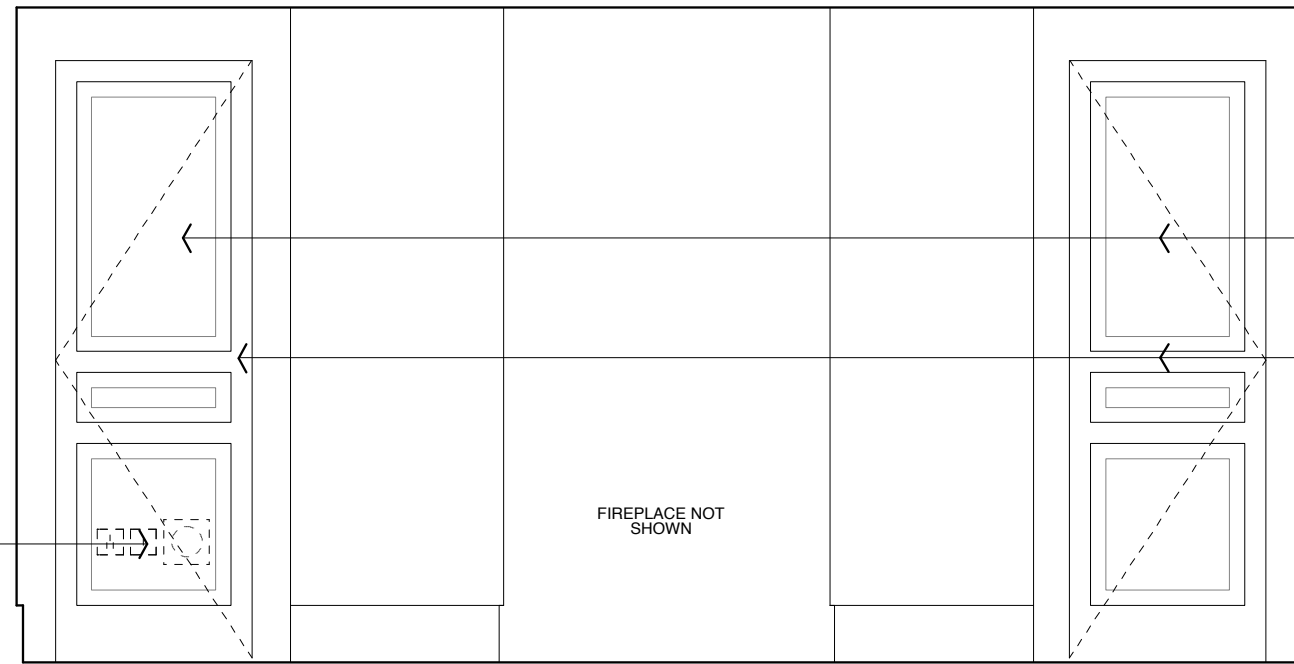
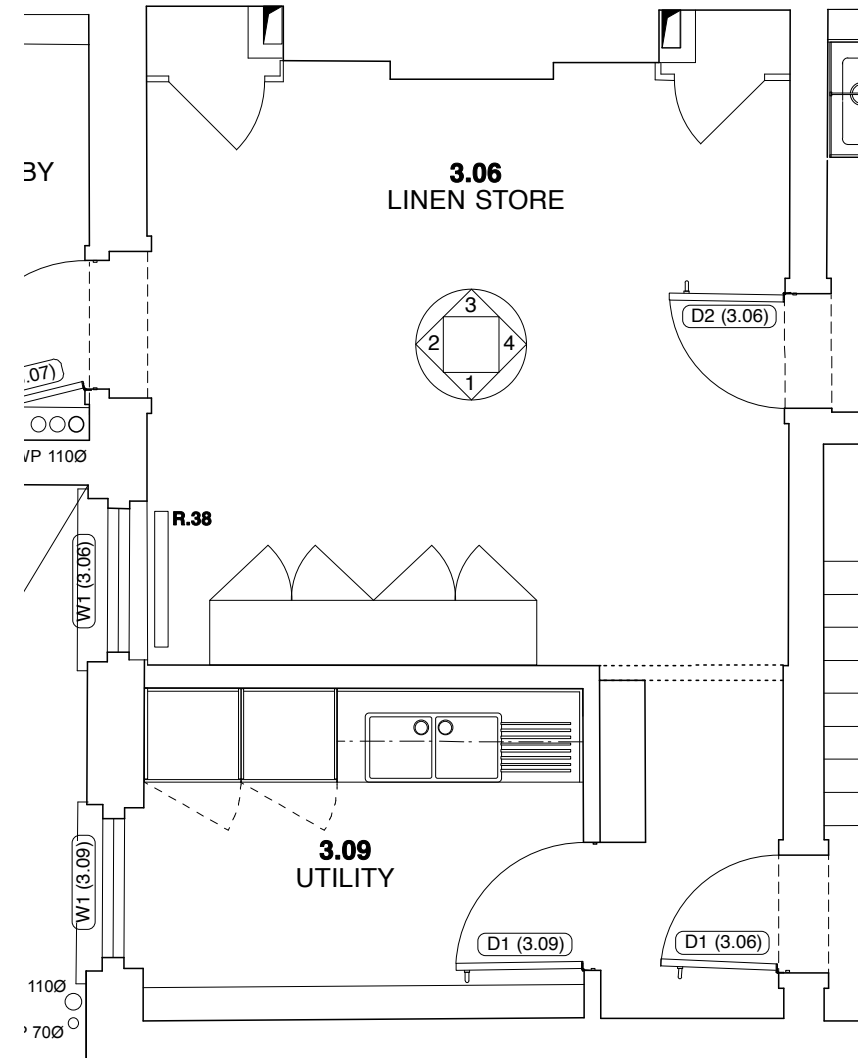
CONFIRM ALL DIMENSIONS AND LEVELS ON SITE PRIOR TO COMMENCING WORK. IF IN DOUBT ASK!

THIS DRAWING REMAINS THE COPYRIGHT OF **BURRELL FOLEY FISCHER LLP**

- KEY**
-  NEW TIMBER MOULDING SECTION TO MATCH ORIGINAL
 -  LATH & PLASTER REPAIRS AS M20/___
 -  PLASTER COATING AS M20/___
 -  REMOVE FRIABLE PLASTER TO WINDOW EDGE TO WALL, FILL & PLASTER COAT AS M20/___

NOTE: DATUM TO BE STRUCK WITHIN ROOM FROM WHERE THE EXISTING SOCKET POSITIONS ARE RE-USED. ALL NEW SMALL POWER SOCKETS / FACE PLATES ARE TO ALIGN WITHIN ROOM.

KEY TO ELEVATIONS



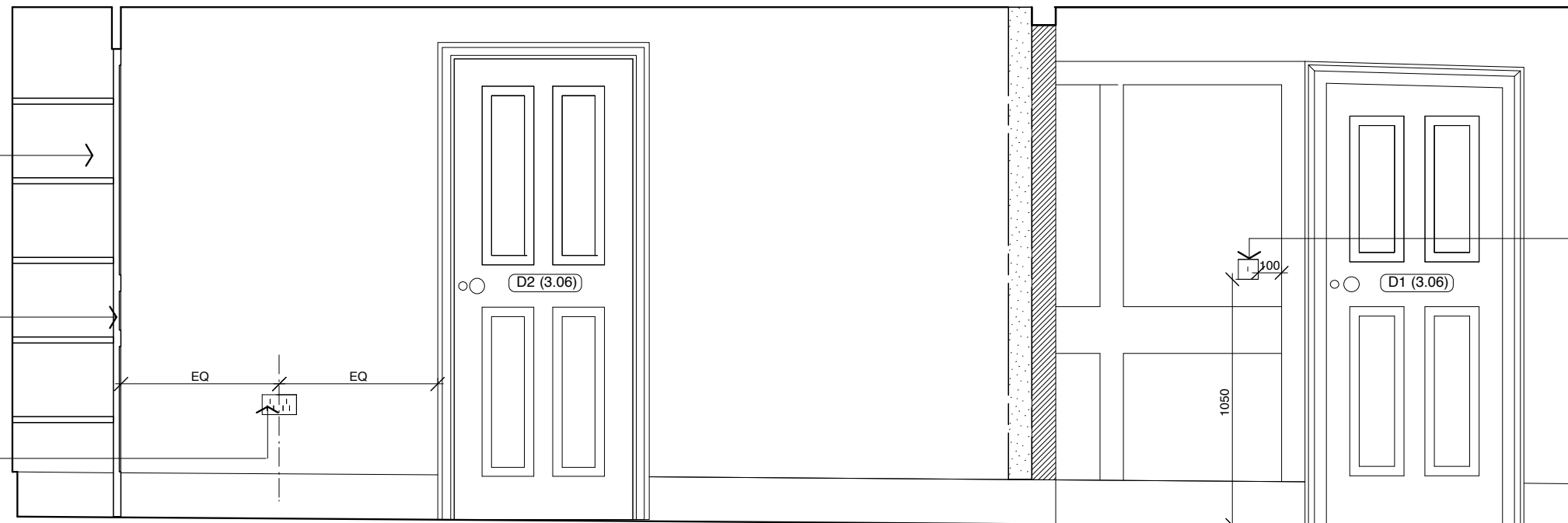
EXISTING SHELVING & SIDE LININGS CAREFULLY STRIPPED OUT. NEW SHELVING & SIDE LININGS AS N10/100J TO BE INSTALLED

EXISTING CUPBOARD DOORS RETAINED AND OVERHAULED. NEW IRONMONGERY TO BE INSTALLED

DATA OUTLET, WIFI BOX & POWER SOCKET WITHIN CUPBOARD

FIREPLACE NOT SHOWN

ELEVATION 3



EXISTING SHELVING & SIDE LININGS CAREFULLY STRIPPED OUT. NEW SHELVING & SIDE LININGS AS N10/100J TO BE INSTALLED

EXISTING CUPBOARD DOORS RETAINED AND OVERHAULED. NEW IRONMONGERY TO BE INSTALLED

DOUBLE 13AMP POWER SOCKET

LIGHT SWITCH

FOR DOOR DETAILS REFER TO BFF DWG AA(32)44-01 & AA(32)44-02

FOR DOOR DETAILS REFER TO BFF DWG AA(32)45-01

ELEVATION 4

T2 ISSUED FOR TENDER FWD AJ 07.12.10
REV NO: REV DETAILS: BY: CHKD: DATE:

TENDER

DO NOT SCALE OFF THIS DRAWING

BURRELL . FOLEY . FISCHER . LLP

BURRELL FOLEY FISCHER ARCHITECTS & URBAN DESIGNERS
YORK CENTRAL 70-78 YORK WAY NI BAG
TEL 020 7713 5335 FAX 020 7713 5444 E-MAIL mail@biff-architects.co.uk
WEB www.biff-architects.co.uk

JOB: 5 LINCOLN'S INN FIELDS

FOR: PRIVATE CLIENT

AT: 5 LINCOLN'S INN FIELDS

DRAWING TITLE: INTERNAL ELEVATIONS ROOM 3.06 (SHEET 2)

DATE: 18.10.10 SCALE: 1:25@A3

DRAWN BY: SH CHECKED BY: AJ

JOB NO: BFF/1019 DWG NO: AL(42)064.T2

Copyright ©

THIS DRAWING IS BASED ON DIMENSIONAL SURVEY INFORMATION PROVIDED BY OTHERS. THE ARCHITECT CANNOT ACCEPT RESPONSIBILITY FOR THE ACCURACY OF THIS SURVEY INFORMATION.

THIS DRAWING SHOULD BE READ IN CONJUNCTION WITH ALL RELEVANT DRAWINGS, SPECIFICATIONS, SCHEDULES AND OTHER CONTRACT INFORMATION ISSUED BY THE ARCHITECT, STRUCTURAL ENGINEER, SERVICES ENGINEER AND ANY OTHER CONSULTANT EMPLOYED OR RETAINED BY THE EMPLOYER IN RESPECT OF THESE WORKS.

IN THE CASE OF NEW WORKS, ALL DIMENSIONS SHOWN ARE TO THE FACE OF MASONRY, METAL OR TIMBER STUD FRAMING, OR THE CENTRE LINE OF STRUCTURAL STEEL MEMBERS, UNLESS NOTED OTHERWISE.

DO NOT SCALE FROM THIS DRAWING.

REPORT ANY DISCREPANCIES, CONFLICTS, ERRORS OR OMISSIONS TO THE CA AND SEEK DIRECTIONS BEFORE PROCEEDING.

CONFIRM ALL DIMENSIONS AND LEVELS ON SITE PRIOR TO COMMENCING WORK. IF IN DOUBT ASK!

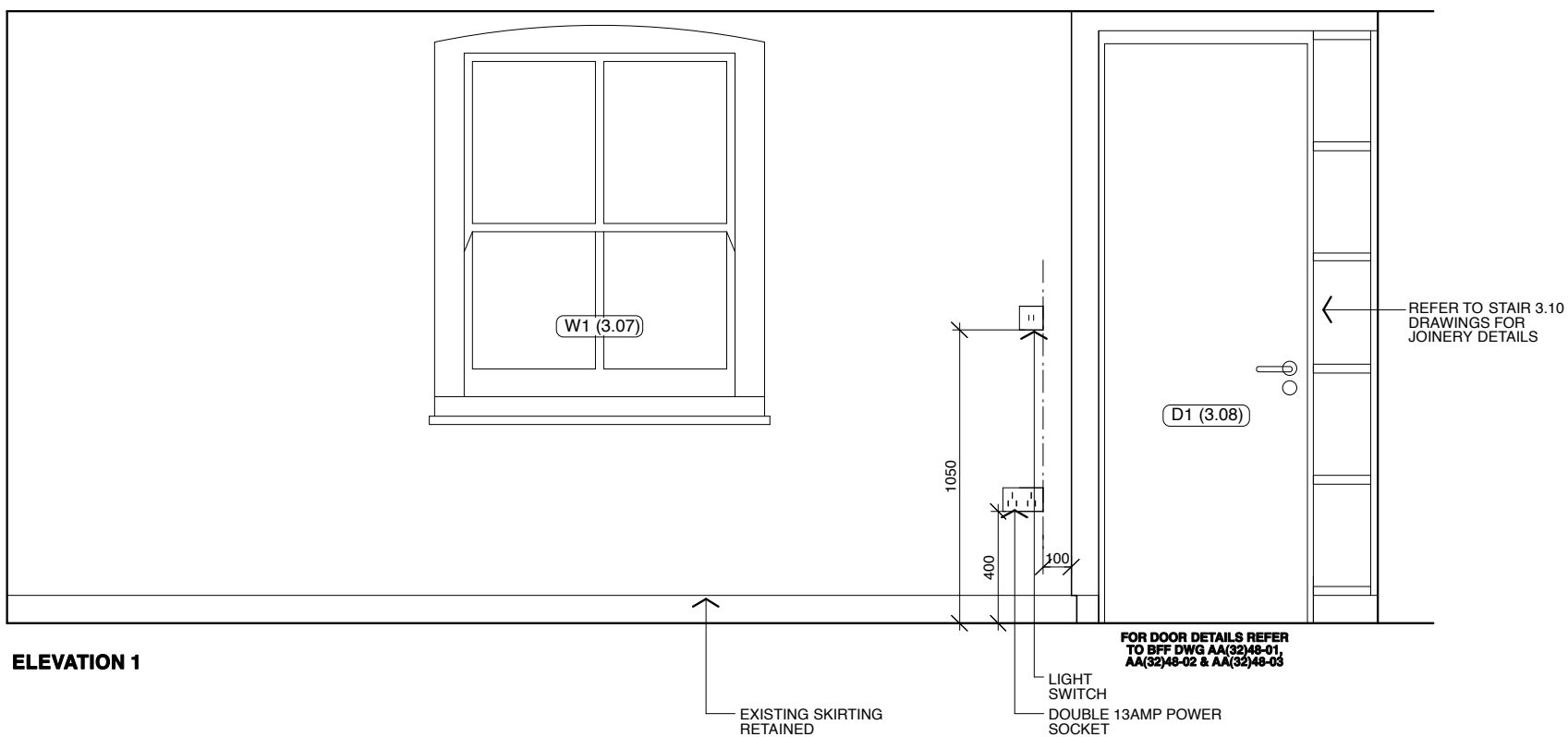
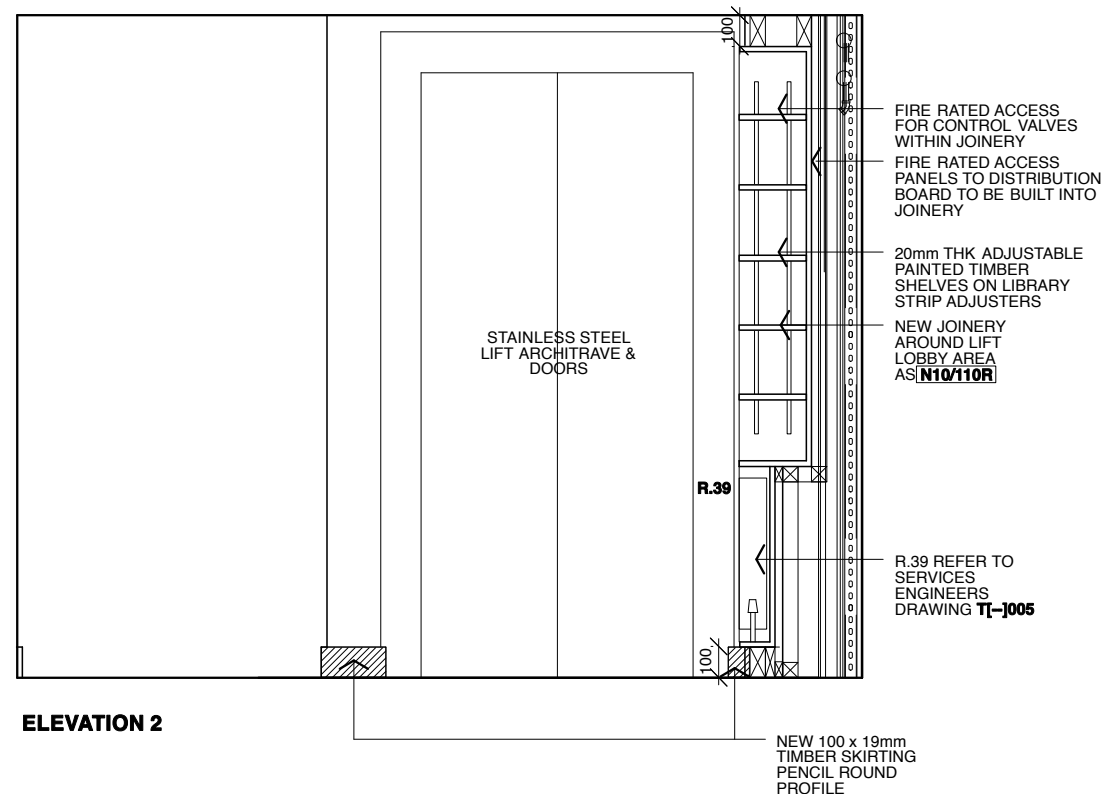
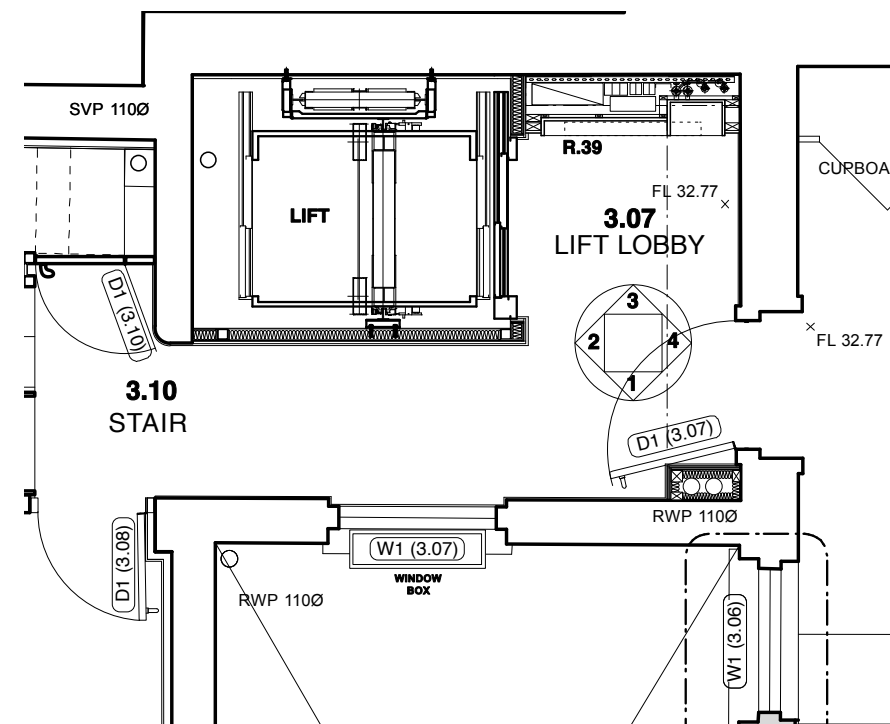
THIS DRAWING REMAINS THE COPYRIGHT OF **BURRELL FOLEY FISCHER LLP**

KEY

 NEW TIMBER MOULDING SECTION TO MATCH ORIGINAL

NOTE: SERVICES ENGINEERS LIGHTING PROPOSALS TO BE ADDRESSED & COORDINATED

KEY TO ELEVATIONS



T2 ISSUED FOR TENDER FWD AJ 07.12.10
REV NO: REV DETAILS: BY: CHKD: DATE:

TENDER

DO NOT SCALE OFF THIS DRAWING

BURRELL . FOLEY . FISCHER . LLP

BURRELL FOLEY FISCHER ARCHITECTS & URBAN DESIGNERS
YORK CENTRAL 70-78 YORK WAY NI BAG
TEL 020 7713 5333 FAX 020 7713 5444 E-MAIL mail@bff-architects.co.uk
WEB www.bff-architects.co.uk

JOB: 5 LINCOLN'S INN FIELDS

FOR: PRIVATE CLIENT

AT: 5 LINCOLN'S INN FIELDS

DRAWING TITLE: INTERNAL ELEVATIONS ROOM 3.07 (SHEET 1)

DATE: 18.10.10	SCALE: 1:25@A3
DRAWN BY: SH	CHECKED BY: AJ
JOB NO: BFF/1019	SIWS NO: AL(42)065.T2

THIS DRAWING IS BASED ON DIMENSIONAL SURVEY INFORMATION PROVIDED BY OTHERS. THE ARCHITECT CANNOT ACCEPT RESPONSIBILITY FOR THE ACCURACY OF THIS SURVEY INFORMATION.

THIS DRAWING SHOULD BE READ IN CONJUNCTION WITH ALL RELEVANT DRAWINGS, SPECIFICATIONS, SCHEDULES AND OTHER CONTRACT INFORMATION ISSUED BY THE ARCHITECT, STRUCTURAL ENGINEER, SERVICES ENGINEER AND ANY OTHER CONSULTANT EMPLOYED OR RETAINED BY THE EMPLOYER IN RESPECT OF THESE WORKS.

IN THE CASE OF NEW WORKS, ALL DIMENSIONS SHOWN ARE TO THE FACE OF MASONRY, METAL OR TIMBER STUD FRAMING, OR THE CENTRE LINE OF STRUCTURAL STEEL MEMBERS, UNLESS NOTED OTHERWISE.

DO NOT SCALE FROM THIS DRAWING.

REPORT ANY DISCREPANCIES, CONFLICTS, ERRORS OR OMISSIONS TO THE CA AND SEEK DIRECTIONS BEFORE PROCEEDING.

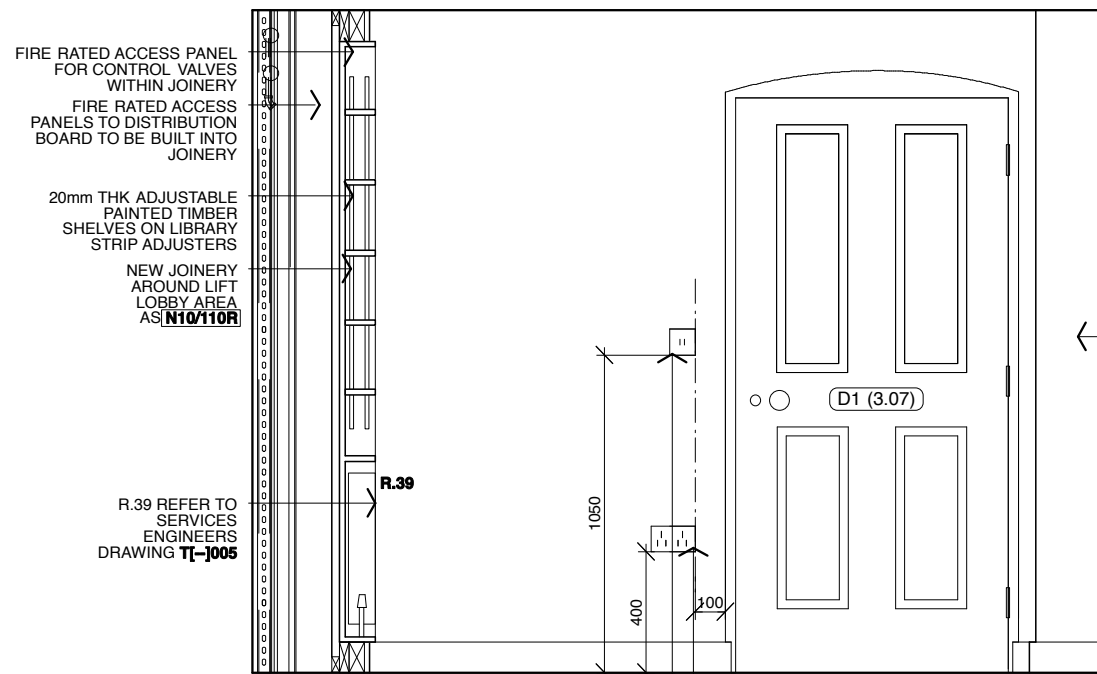
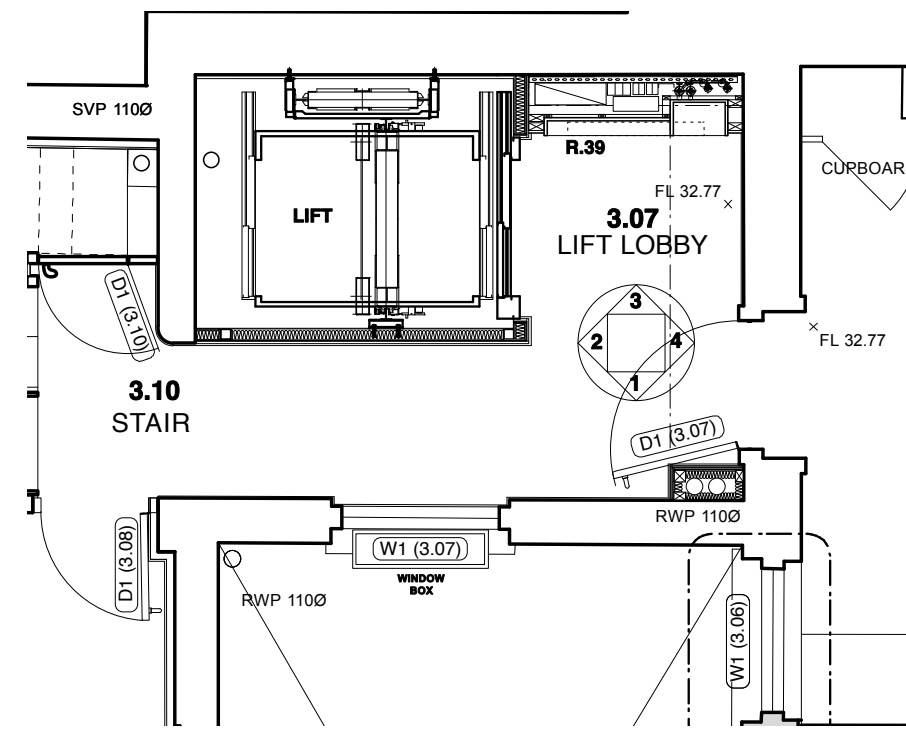
CONFIRM ALL DIMENSIONS AND LEVELS ON SITE PRIOR TO COMMENCING WORK. IF IN DOUBT ASK!

THIS DRAWING REMAINS THE COPYRIGHT OF **BURRELL FOLEY FISCHER LLP**

KEY
 NEW TIMBER MOULDING SECTION TO MATCH ORIGINAL

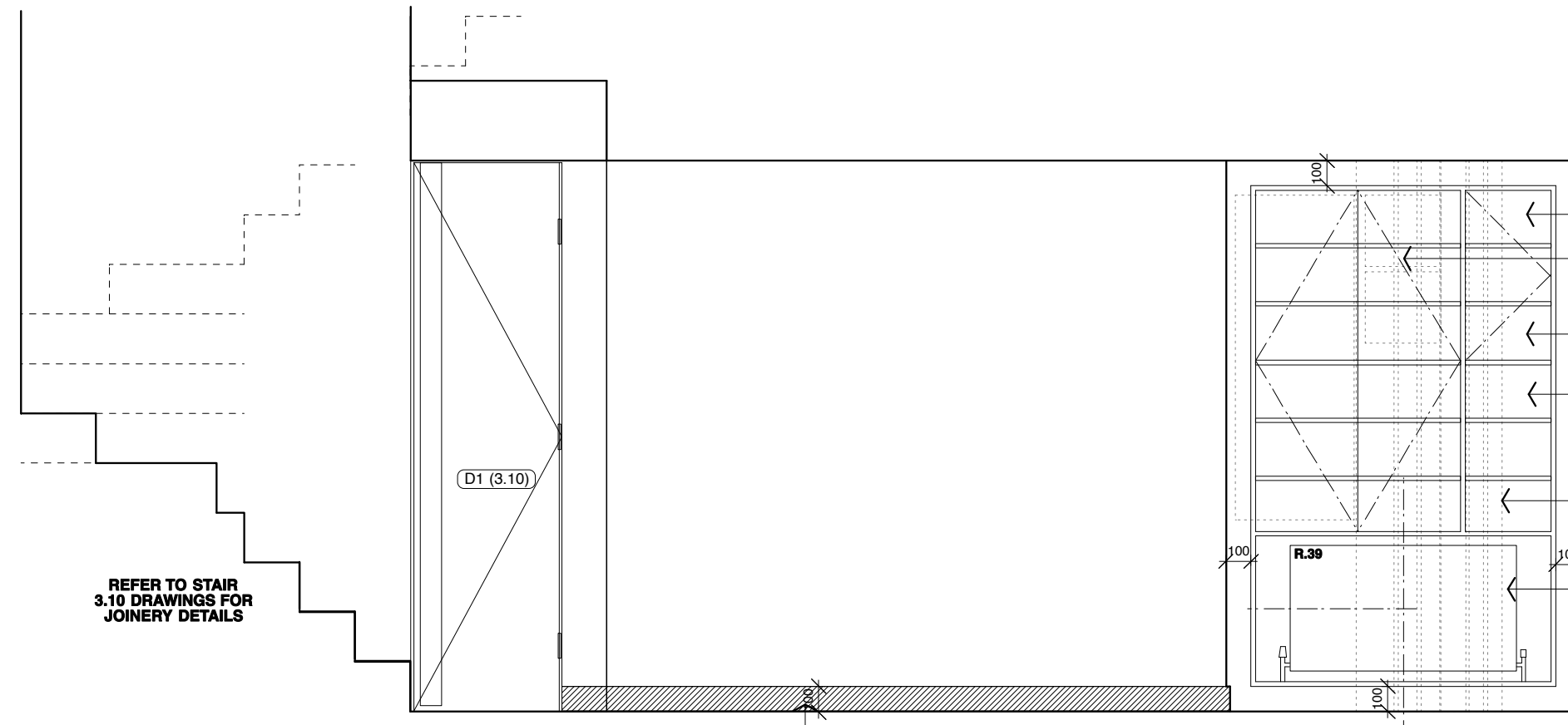
NOTE: SERVICES ENGINEERS LIGHTING PROPOSALS TO BE ADDRESSED & COORDINATED

KEY TO ELEVATIONS



ELEVATION 4

FOR DOOR DETAILS REFER TO BFF DWG AA(32)46-01 & AA(32)46-02



ELEVATION 3

FOR DOOR DETAILS REFER TO BFF DWG AA(32)49-01

NEW 100 x 19mm TIMBER SKIRTING PENCIL ROUND PROFILE

T2 ISSUED FOR TENDER FWD AJ 07.12.10
 REV NO: REV DETAILS: BY: CHKD: DATE:

TENDER

DO NOT SCALE OFF THIS DRAWING

BURRELL . FOLEY . FISCHER . LLP

BURRELL FOLEY FISCHER ARCHITECTS & URBAN DESIGNERS
 YORK CENTRAL 70-78 YORK WAY NI BAG
 TEL 020 7713 5353 FAX 020 7713 5444 E-MAIL mail@bff-architects.co.uk
 WEB www.bff-architects.co.uk

JOB: 5 LINCOLN'S INN FIELDS

FOR: WPFS

AT: 5 LINCOLN'S INN FIELDS

DRAWING TITLE: INTERNAL ELEVATIONS ROOM 3.07 (SHEET 2)

DATE: 18.10.10	SCALE: 1:25@A3
DRAWN BY: SH	CHECKED BY: AJ
JOB NO: BFF/1019	SIWS NO: AL(42)066.T2