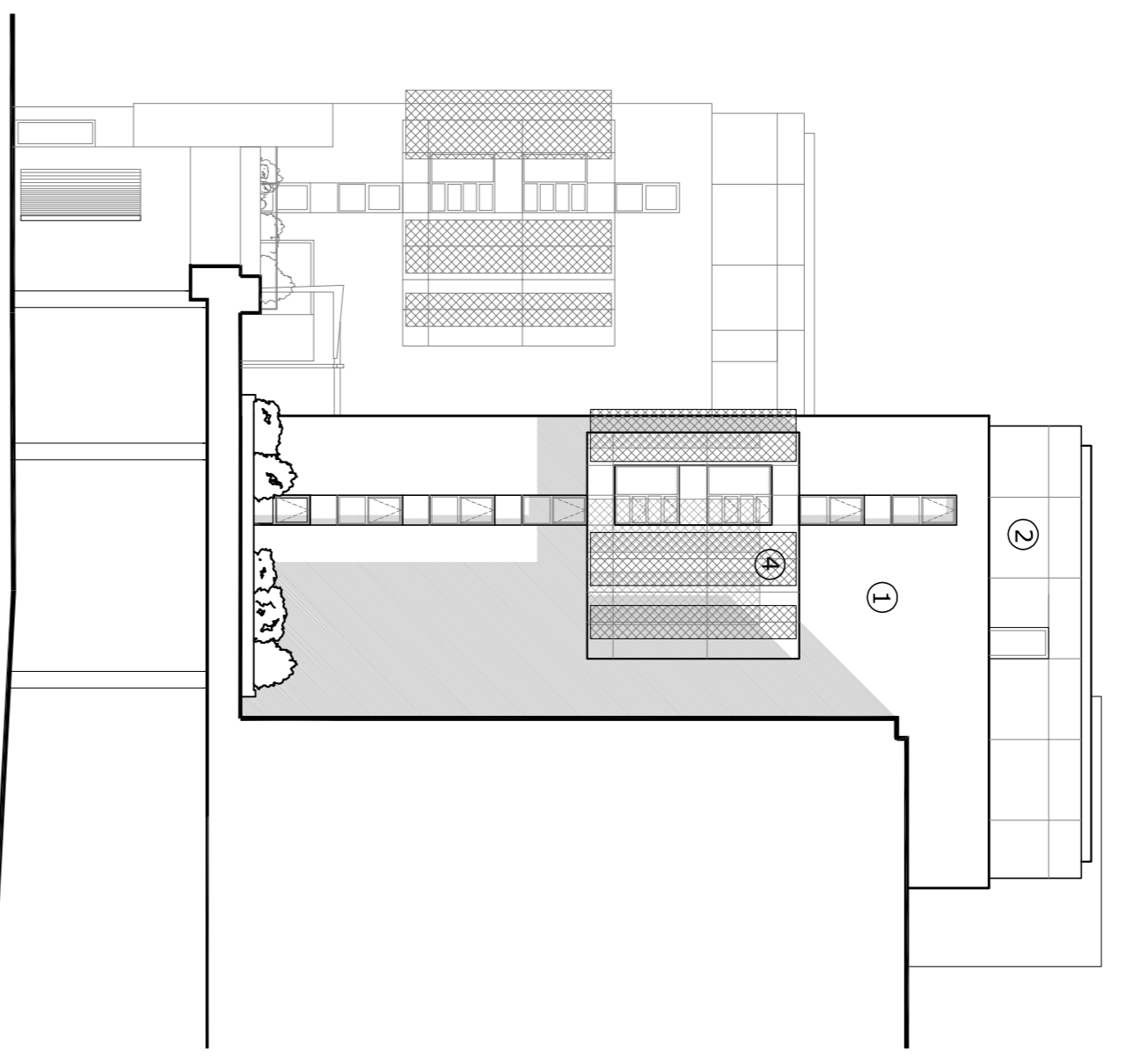
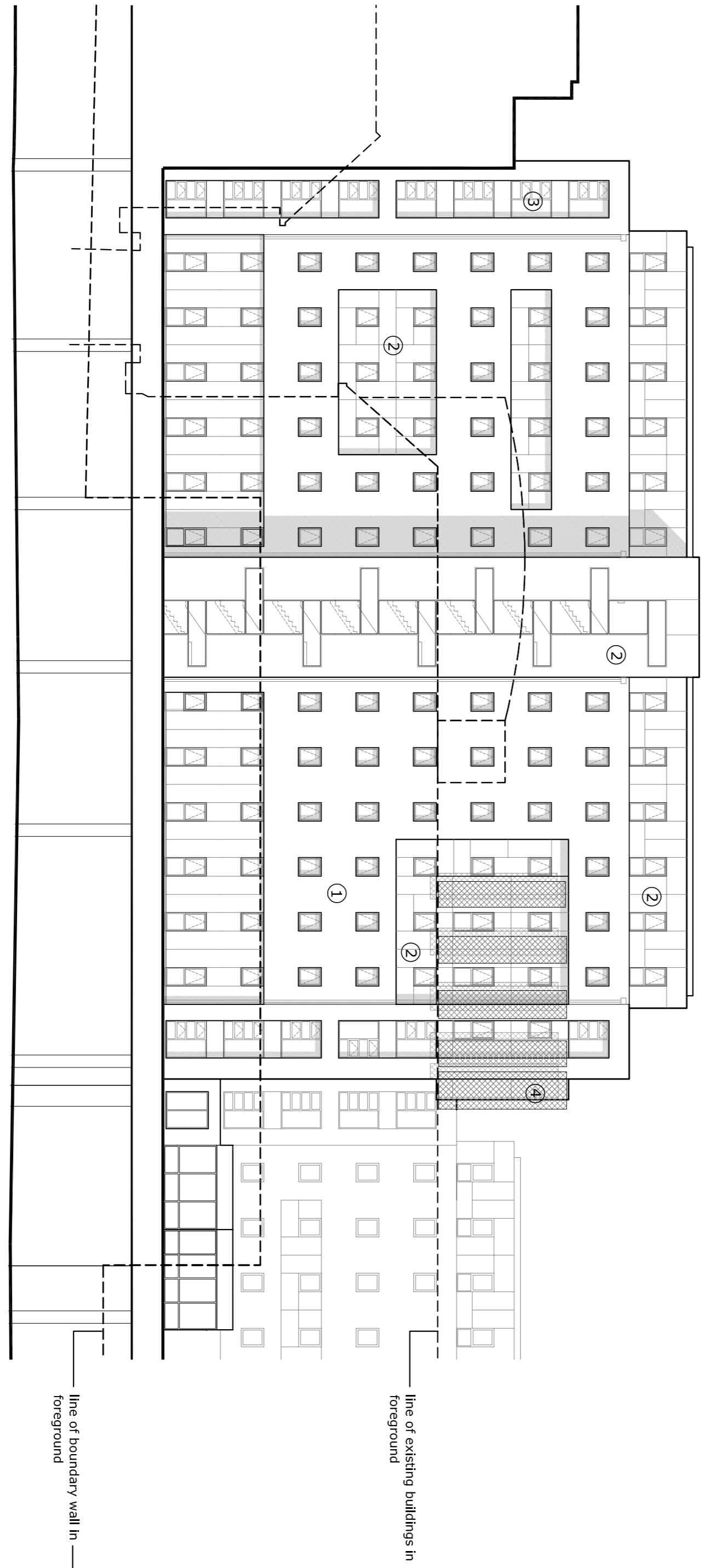


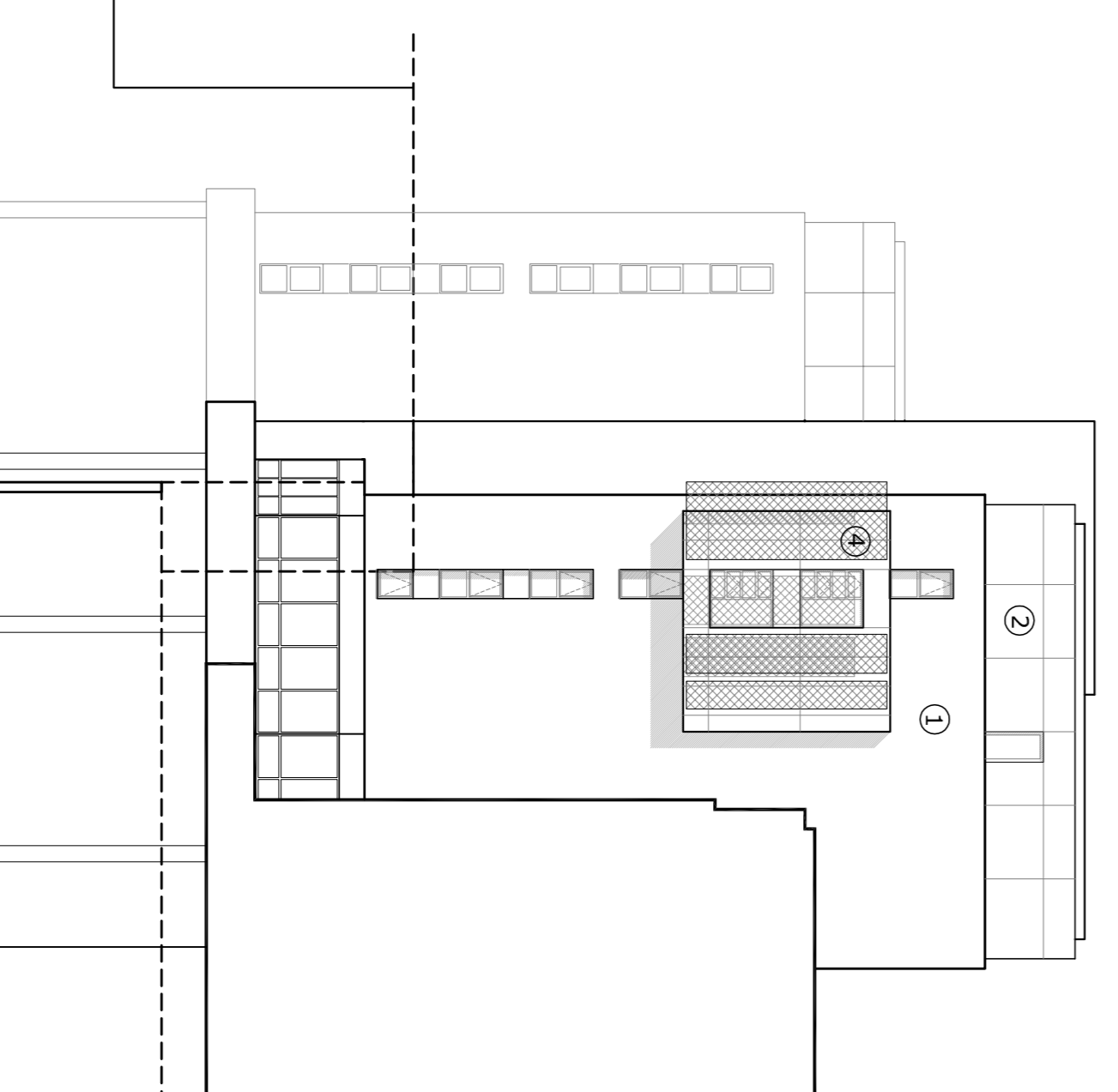
1 East



2 North



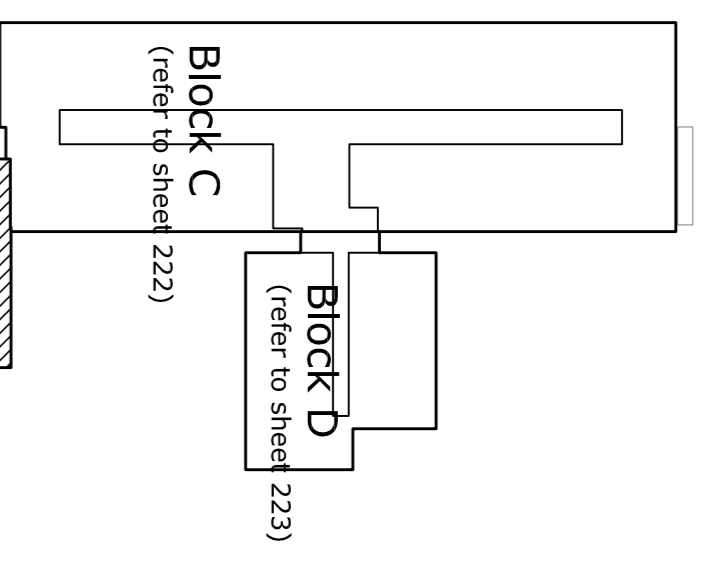
3 West



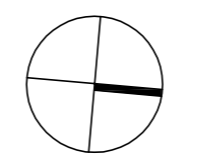
4 South

Line of existing buildings in foreground

Line of boundary wall in foreground



Block A
(refer to sheet 220)

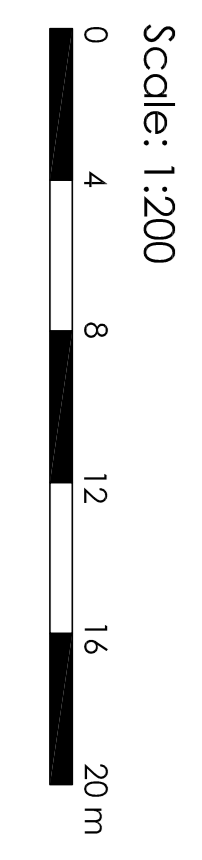


Keyplan
1:500

- Materials schedule:
- 1 Brick to approved sample
 - 2 Cladding panels to approved sample
 - 3 Aluminium PC glazing
 - 4 Metal mesh to approved sample

Architect: **Bellis Cooley | Architects**
 Studio 201, 18 Baldwins Gardens, London EC3N 7RU
 0203 3718 4481 www.belliscooley.com

Client: **Unite PLC - Travis Perkins**
 11-13 St Pancras Way
 London NW1



Project: **Proposed Elevations - Block B**
 Date: Oct 10
 Scale: 1:200 @ A1 & 1:400 @ A3
 Drawing No: 0500 - 221