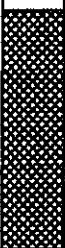

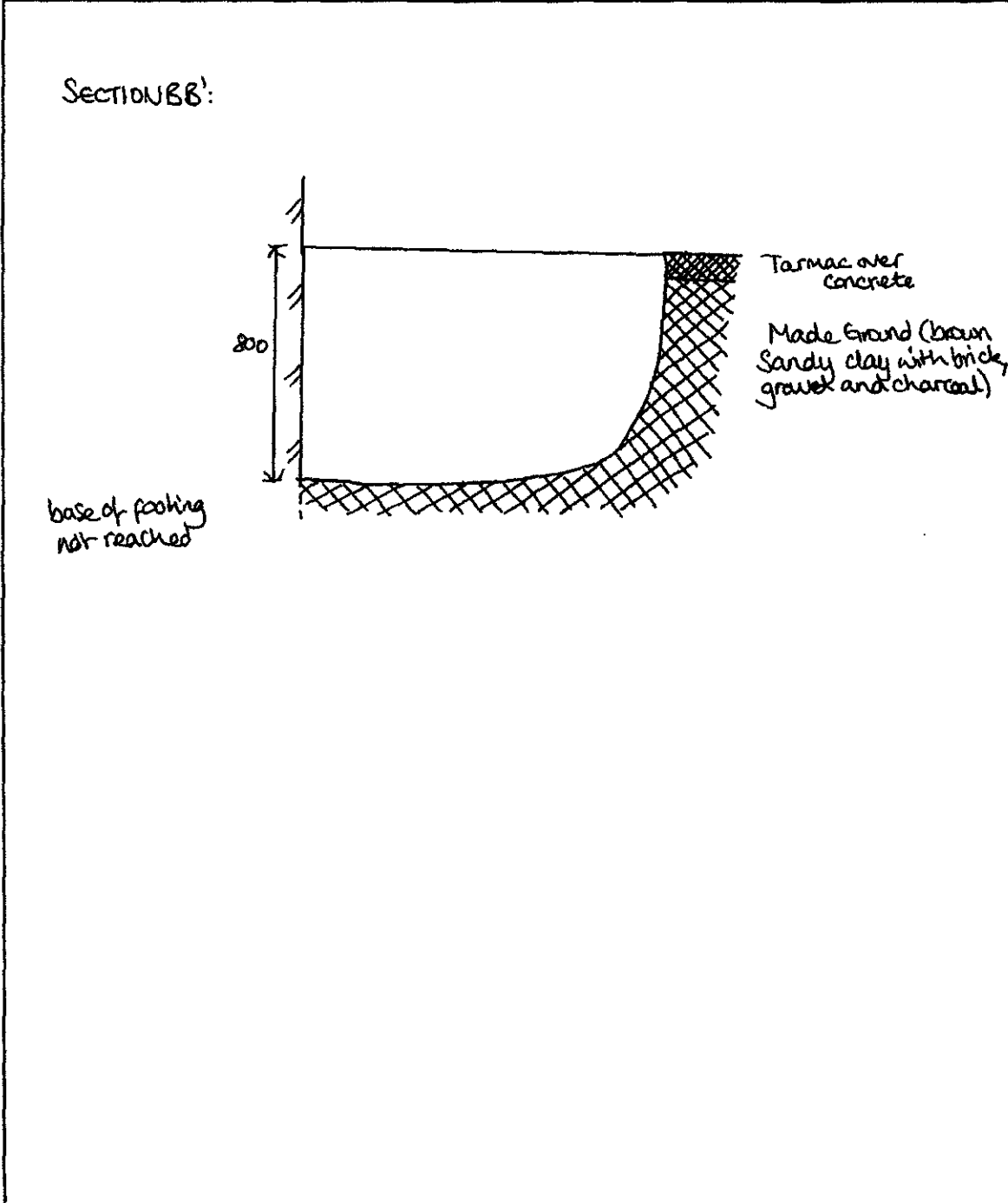


GEA Geotechnical & Environmental Associates		Tyflahanger House Coursers Road St Albans AL4 0PG		Site 8/8a Highgate Road, London, NW5		Number BH1		
Excavation Method Drive-in Window Sampler		Dimensions		Ground Level (mOD)		Client Skyline Estates Ltd		
		Location		Date 17/11/2008		Engineer Gurney Consulting Engineers		
						Job Number J09231		
						Sheet 1/1		
Depth (m)	Sample / Tests	Water Depth (m)	Field Records	Level (mOD)	Depth (m) (Thickness)	Description	Legend	
1.00	D1				1.80	Made Ground (dark brown sandy clay with brick, concrete, gravel, slate and charcoal)		
2.00	D2				1.20	Firm brown and blue gray mottled CLAY with partings of orange-brown silty sand		
3.00	D3				3.00	Terminated at 3.00m		
Remarks Ground water not encountered Borehole collapsed to 0.5 m.							Scale (approx) 1:50	Logged By CMB
							Figure No. J09231.BH1	

GEA Geotechnical & Environmental Associates		Tyttenhanger House Coursers Road St Albans AL4 0PG		Site 8/8a Highgate Road, London, NW5		Number BH2	
Excavation Method Drive-in Window Sampler		Dimensions		Ground Level (mOD)		Client Skyline Estates Ltd	
		Location		Dates 17/11/2008		Engineer Gurney Consulting Engineers	
						Job Number J09231	
						Sheet 1/1	
Depth (m)	Sample / Tests	Water Depth (m)	Field Records	Level (mOD)	Depth (m) (Thickness)	Description	Legend
1.50	D1				(1.30) 1.30	Made Ground (brick, mortar and clinker in a sandy clayey matrix)	
2.50	D2				(3.70)	Firm brown and blue grey mottled CLAY becoming stiff below 4.5 m. Rootlets to 3.0 m	
3.50	D3				5.00	Complete at 5.00m	
Remarks Claystone encountered at 4.5 m Ground water not encountered						Scale (approx) 1:50	Logged By CMB
						Figure No. J09231.BH2	

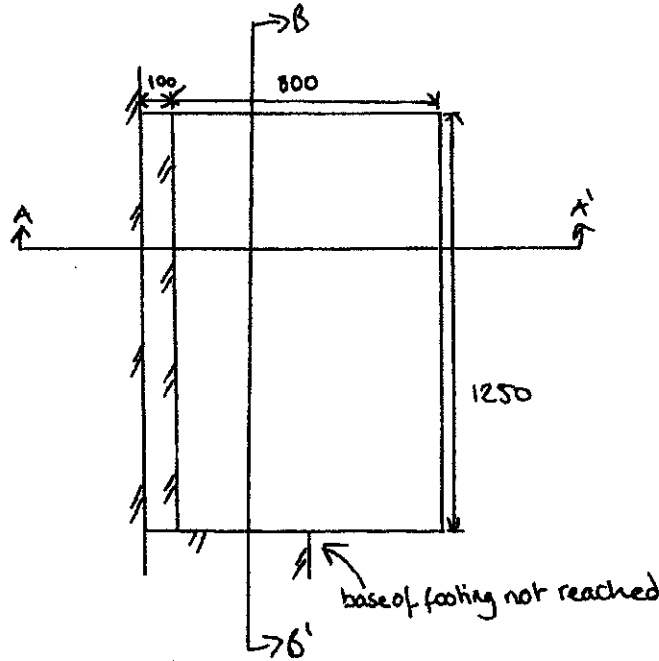
Excavation Method Manual	Dimensions	Ground Level (mOD)	Client Skyline Estates Limited	Trial Pit Number 1
	Location	Date	Engineer Gurney Consulting Engineers	Job Number J09231 Sheet 1/1



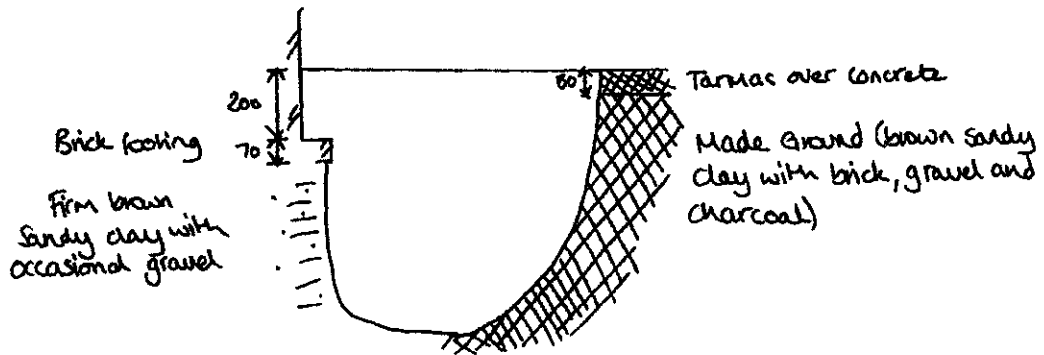
Remarks: All dimensions in millimetres Sides of trial pit remained stable during excavation Ground water not encountered	Scale: 1:20
	Logged by: CMB

GEA Geotechnical & Environmental Associates		Tyttenhanger House Coursers Road St Albans Herts AL4 0PG		Site 8/8a Highgate Road, London, NW5		Trial Pit Number 1	
Excavation Method Manual		Dimensions 1250 x 400 x 800		Ground Level (mOD)		Client Skyline Estates Limited	
Location		Dates		Engineer Gurney Consulting Engineers		Job Number J09231	
						Sheet 1/1	

PLAN:



SECTION AA':



Remarks:

All dimensions in millimetres
 Sides of trial pit remained stable during excavation
 Ground water not encountered

Scale:

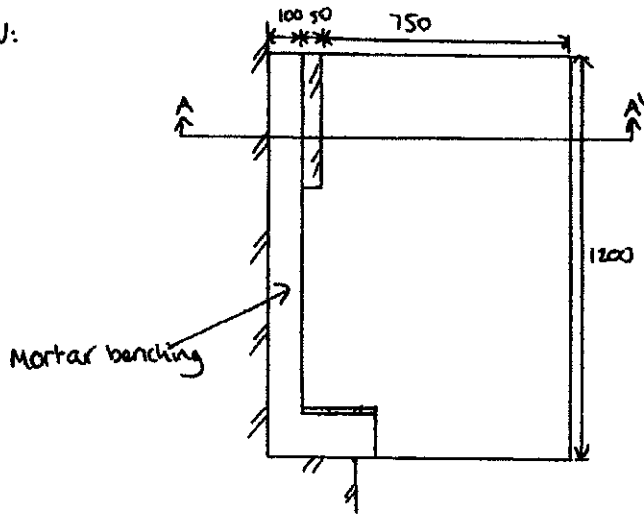
1:20

Logged by:

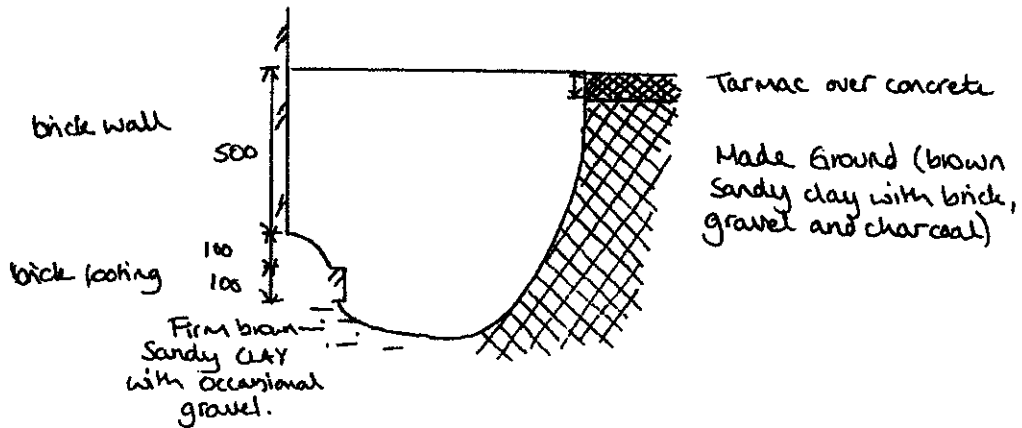
CMB

GEA Geotechnical & Environmental Associates		Tytlerhanger House Coursers Road St Albans Herts AL4 6PG		Site 8/8a Highgate Road, London, NW5	Trial Pit Number 2
Excavation Method Manual	Dimensions 1200 x 900 x 800	Ground Level (mOD)	Client Skyline Estates Limited	Job Number J09231	
	Location	Dates	Engineer Gurney Consulting Engineers	Sheet 1 / 1	

PLAN:



SECTION A-A:



Remarks: All dimensions in millimetres Sides of trial pit remained stable during excavation Ground water not encountered	Scale: 1:20
	Logged by: CMB



Geotechnical & Environmental Associates

Tyttenhanger House
Coursers Road
St Albans
Herts AL4 0PG

Site
8/8a Highgate Road, London, NW5

Trial Pit
Number
3

Excavation Method
Manual

Dimensions
2600 x 1200 x 1050

Ground Level (mOD)

Client
Skyline Estates Limited

Job
Number
J0823f

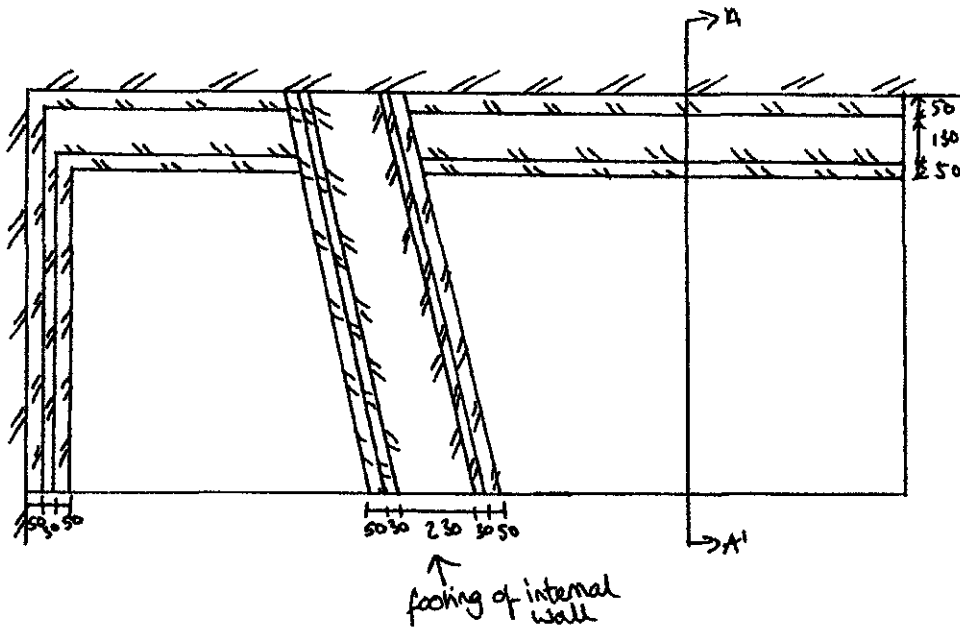
Location

Dates

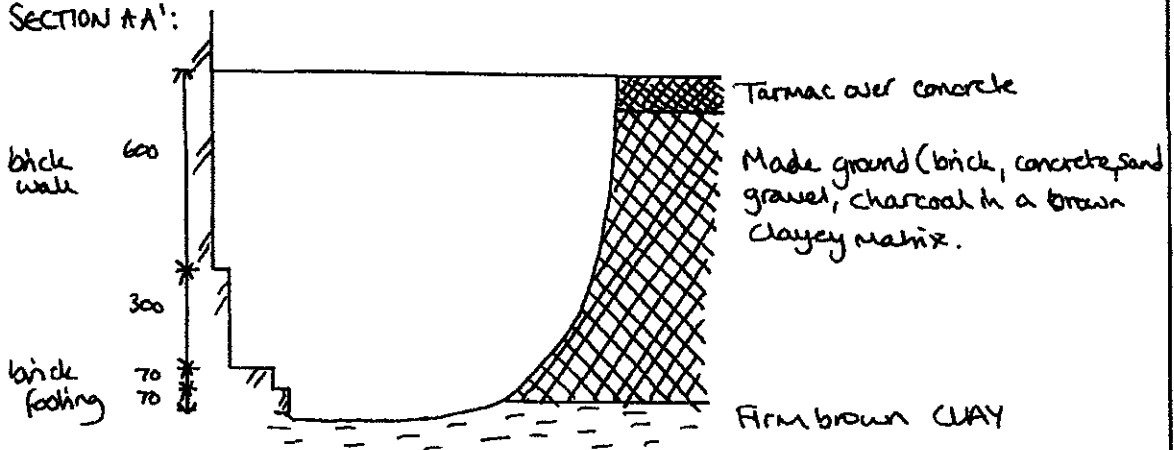
Engineer
Gurney Consulting Engineers

Sheet
1 / 1

PLAN:



SECTION A-A':



Remarks:

All dimensions in millimetres
Sides of trial pit remained stable during excavation
Ground water not encountered

Scale:

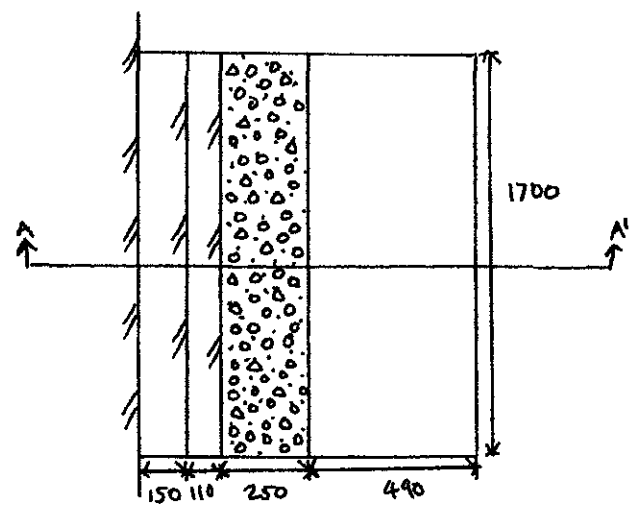
1:20

Logged by:

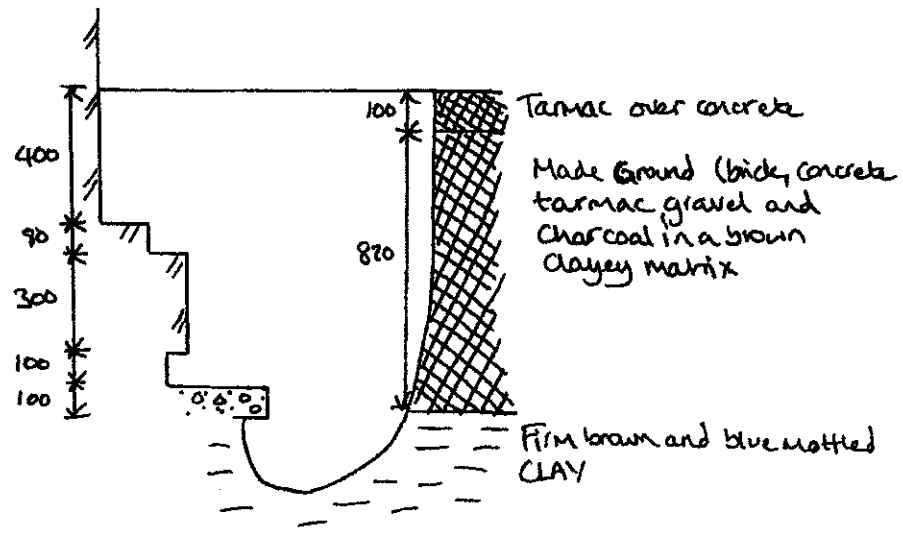
CMB

Excavation Method Manual	Dimensions 1000 x 1700 x 1200	Ground Level (mOD)	Client Skyline Estates Limited	Trial Pit Number 4
	Location	Dates	Engineer Gurney Consulting Engineers	Job Number J09231
GEA Geotechnical & Environmental Associates Tytanchanger House Coursons Road St Albans Herts AL4 0PG		Site 8/6a Highgate Road, London, NW5		Sheet 1 / 1

PLAN:



SECTION AA':



Remarks: All dimensions in millimetres Sides of trial pit remained stable during excavation Ground water not encountered	Scale: 1:20
	Logged by: CMB