

Notes
 Contractor must verify all dimensions on site before commencing any work or stop drawings.
 If this drawing exceeds the quantities taken in any way the Architects are to be informed before the work is initiated.
 Only figured dimensions to be taken from this drawing.
 Do not scale off this drawing.
 Drawings based on Ordnance Survey and / or existing record drawings - design and drawing content subject to Site Survey, Structural Survey, Site Investigations, Planning and Statutory Requirements and Approvals.
 Authorised reproduction from Ordnance Survey Map with permission of the Controller of Her Majesty's Stationery Office. Crown Copyright reserved.
 Carey Jones Architects Limited Copyright.

This drawing originates from the CAD files:

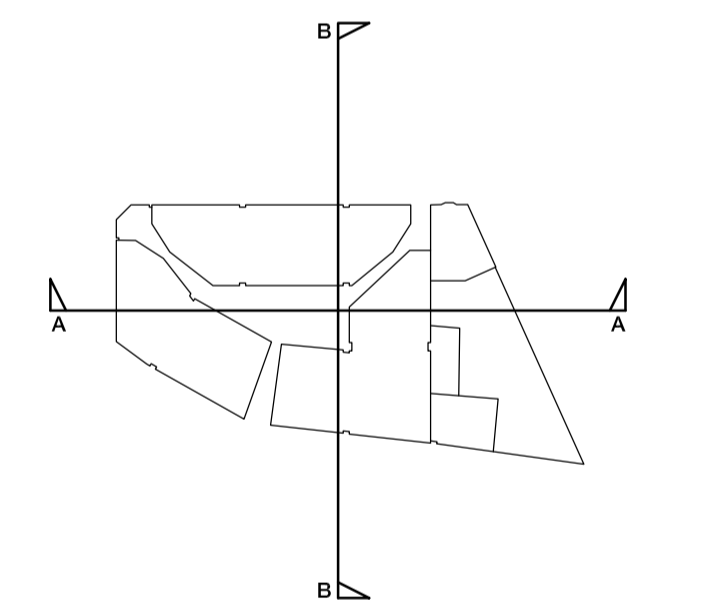
Revisions			
Rev	Des	By	Date
A	Planning Application	JSW	07.04.11 TNT



Grays Inn Road Royal National Throat Nose and Ear Hospital Wicklow Street 13 Britannia Street

Section AA

Section Locator Diagram



40-44 Wicklow Street Britannia Street Wicklow Street Swinton Street

Section BB

Proposed Sections

Materials Legend

- ① London Stock Brickwork
- ② London Stock Corbelled Brickwork
- ③ Slate Grey Wearing Course Brickwork
- ④ RAL 9007 'Gun Metal' Grey Anodised Aluminium Louvre Panel
- ⑤ Metal Framed Window Unit
- ⑥ Zinc Composite Panel
- ⑦ Curtain Wall Glazing
- ⑧ Render

careyjones
 chapmanholcher

Victoria House, Southampton Row
 Bloomsbury, London WC1B 4EA
 Tel +44 (0)20 7269 9400
 Fax +44 (0)20 7269 9401

Rose Wharf, East Street
 Leeds LS9 8EE
 Tel +44 (0)113 224 5000
 Fax +44 (0)113 224 5001

Royal Mills, 17 Redhill Street
 Manchester M4 5BA
 Tel +44 (0) 161 601 6573
 Fax +44 (0) 161 601 6574

info@careyjones.com
 www.careyjones.com

Project:	27 Britannia Street	Job No:	23083
Title:	London WC1X 9JP		
Proposed Sections			
Scale:	1:250 @ A1 / 1:500 @ A3	Drawn by:	JSW
Date:	February 2010	Checked by:	TNT
Drawing No:	20AS01	Revision No:	A