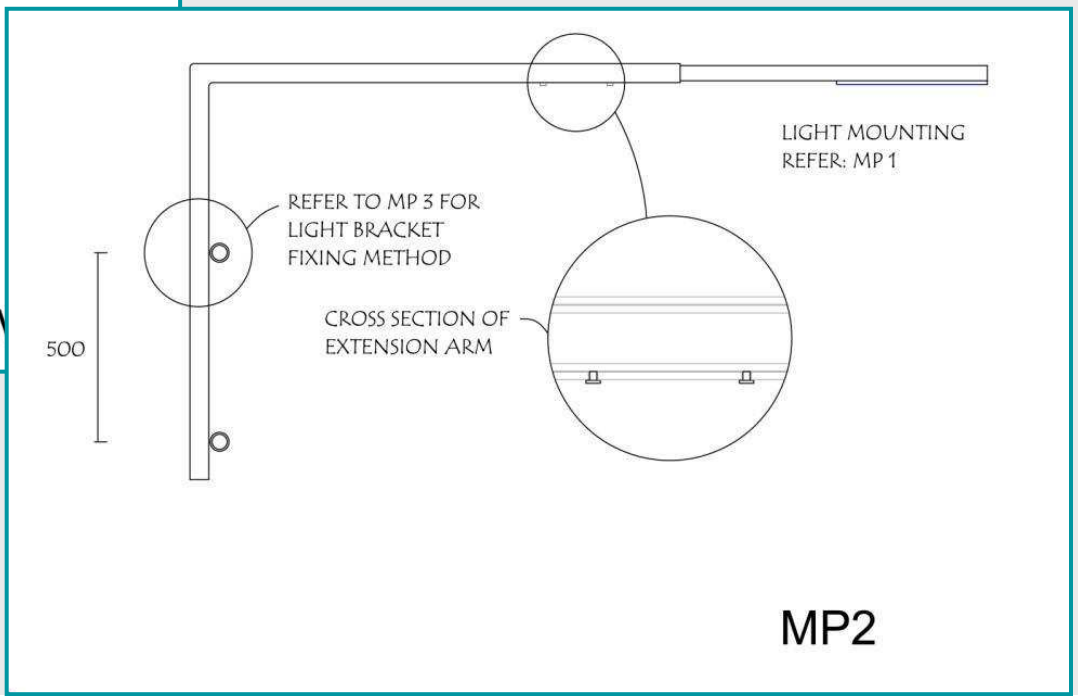
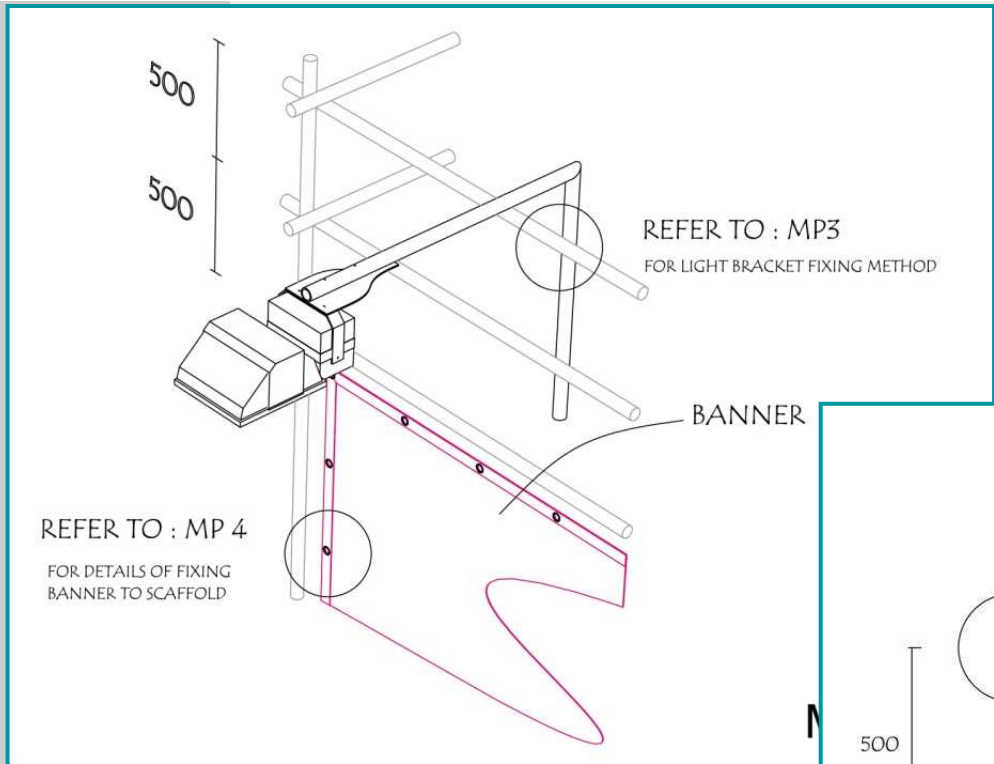
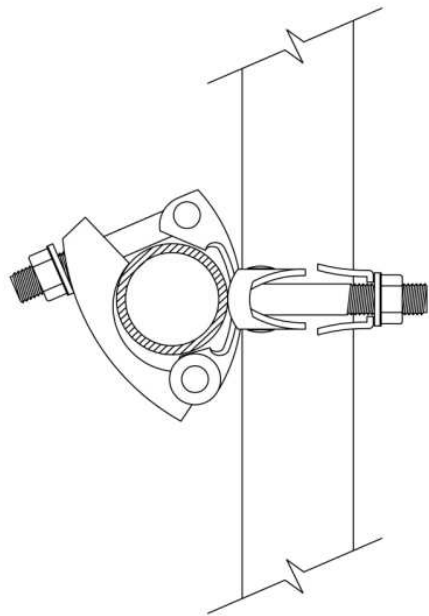


# Instillation and Fixing

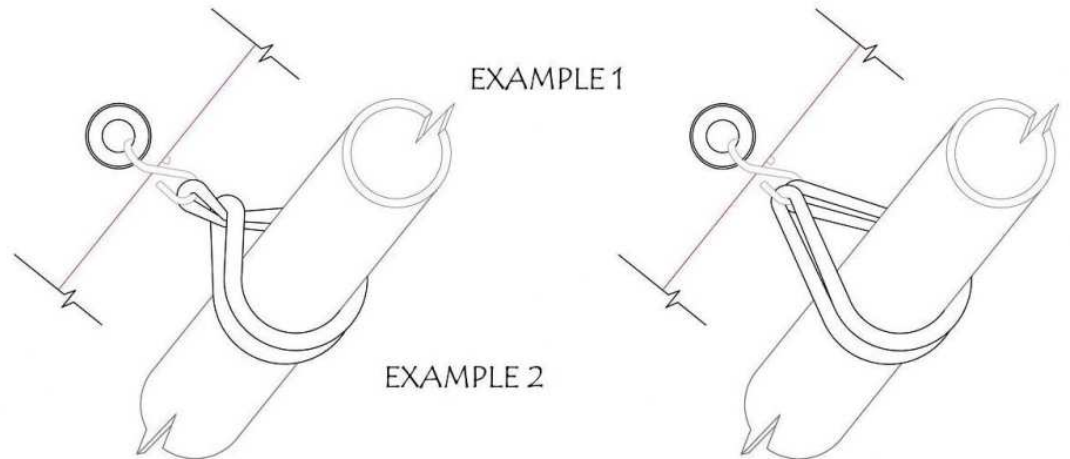


# Instillation and Fixing Continued



DRAWING SHOWING :  
LIGHT BRACKET  
FIXING METHOD.

## DETAILS OF FIXING BANNER TO SCAFFOLD



EXAMPLE 1

EXAMPLE 2

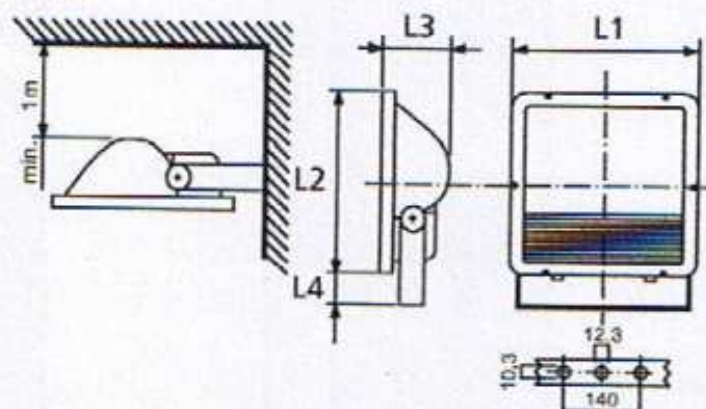
# Lighting Information



MIG



MIG



## FEATURES

- Protective system **IP 65**   
- Solid and functional design
- Diecast aluminium housing and lid with cooling ribs
- Pure aluminium reflector
- With integrated ballast, ignitor and capacitor
- Wind exposed surface  
ACT: 0,110 m<sup>2</sup>; MIG: 0,180 m<sup>2</sup>

## APPLICATION

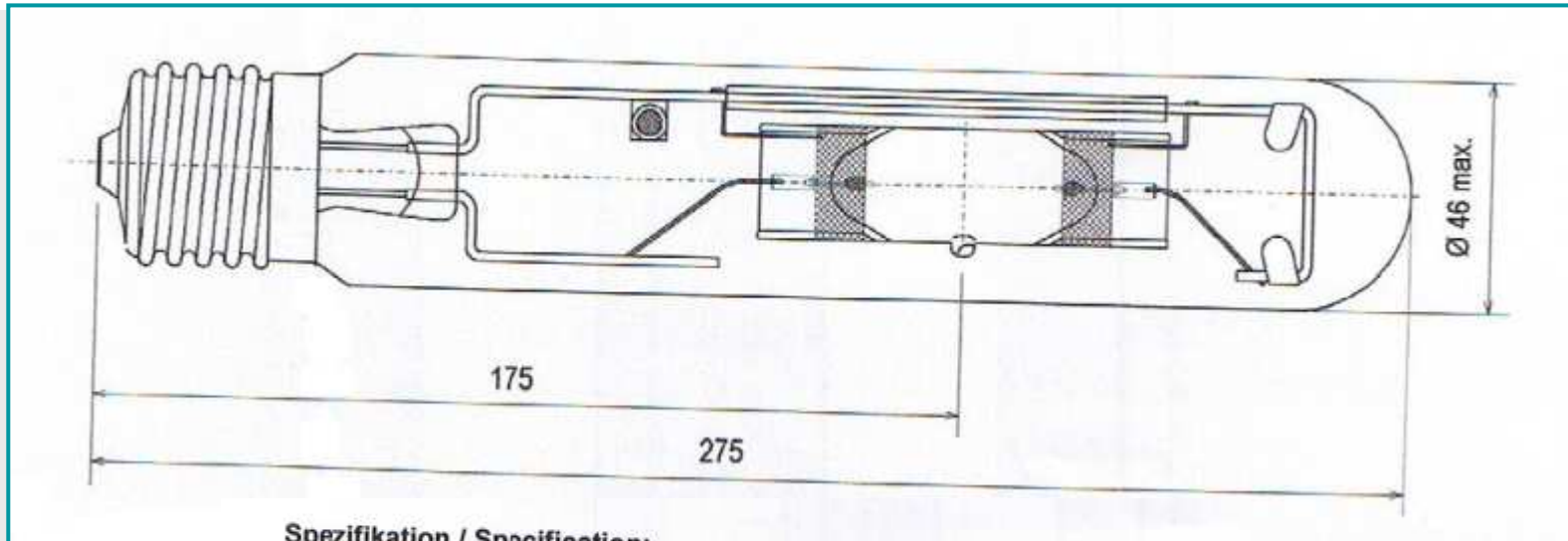
- Monuments/bridges
- Industrial areas
- Big building sites
- Small sports fields

## LIGHT SOURCES

- For ACT: Metal-halide lamps double-ended RX7s and Fc2 (> see BLV catalogue)
- For MIG: Metal-halide lamps single-ended E40 (> see BLV catalogue)

## MIG Metal-Halide Lamps

## Lighting Information Continued



### Spezifikation / Specification:

Lampenleistung / Lamp wattage:	400 W
Lampenstrom / Lamp current:	4,0 A
Zündspannung / Ignition voltage:	4 kV
Farbtemperatur / Colour temperature:	4200 K
Farbkoordinaten / Colour coordinates:	x: 0,372 y: 0,370
Lichtstrom / Luminous flux:	42000 lm
Mittlere Lebensdauer / Average lifetime:	8.000 h
Sockel / Base:	E40
Zulässige Brennlage / Reliable burning position:	u360
Kolbenform / Bulb contour:	röhrenförmig / tubular
Kolbentyp / Bulb type:	klar / clear
Verpackungseinheit (Stck.) / Box quantity (pcs.):	12

### ▪MIG Metal-Halide Bulb