

0107-0071

Mahal, Maria

From: Planning Portal <support@planningportal.gov.uk>
Sent: 07 June 2011 11:18
To: Mahal, Maria
Subject: Planning Portal Online Application Ref 1487332 v1

Ref 1487332 v1

Your Local Planning Authority, Camden Council has received your online planning application and will now validate it within their normal work flow and timescales.

If they need more information or have any queries they will contact you directly.

Please note that this message does not constitute the formal acceptance of your electronic submission by your Local Planning Authority.

For further information on the progress of your online application please contact:

Camden Council

<http://www.camden.gov.uk/planning>

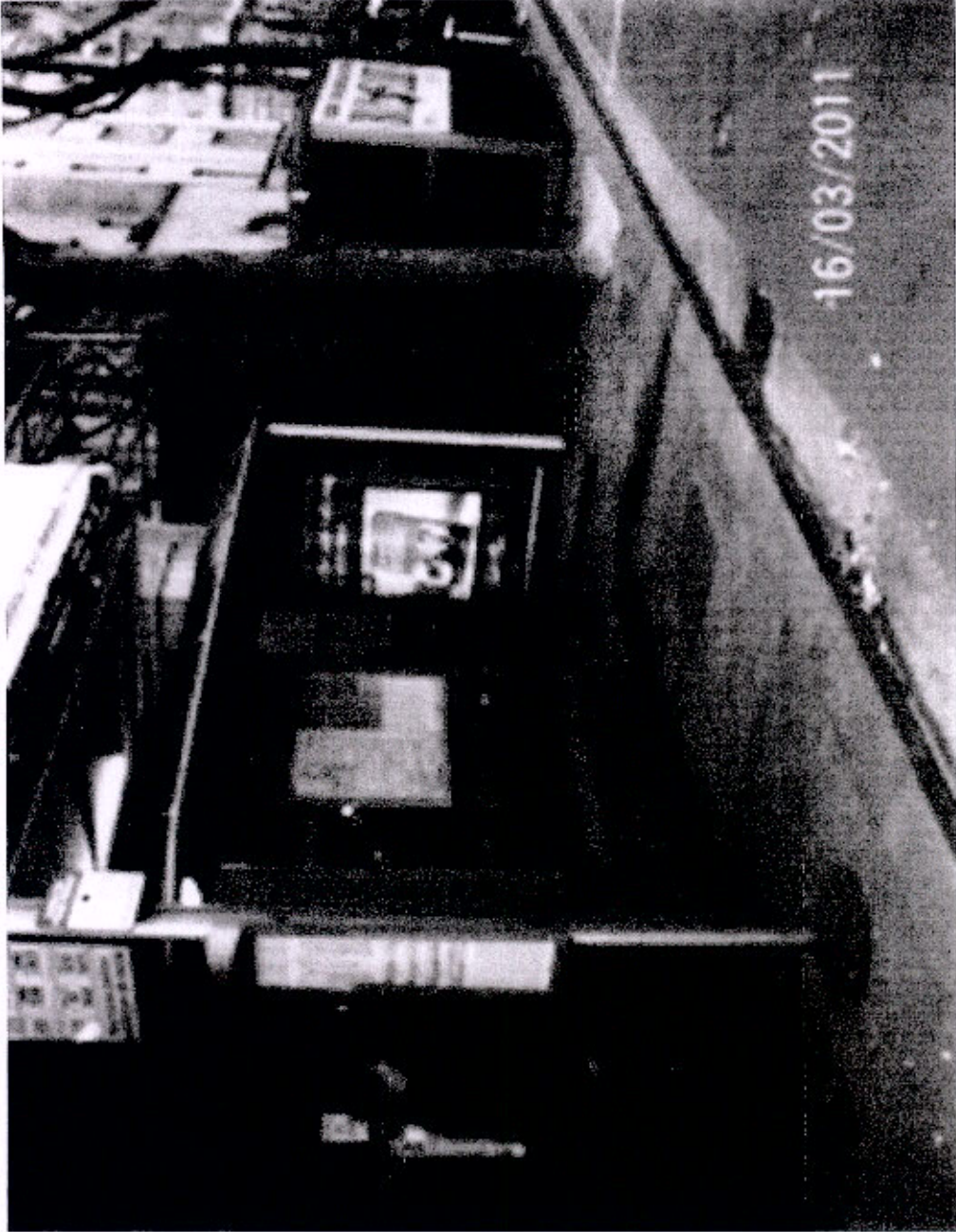
env.devcon@camden.gov.uk

(0207) 9741911

This email is for information only. Please do not reply. For assistance on Planning Portal issues please email support@planningportal.gsi.gov.uk

www.planningportal.gov.uk

Chq: 1487332



Shelter No: 0107/0071 – Kingsway s/o entrance to Africa House, WC2B 6AA

Shelter No: 0107-0071
Kingsway s/o entrance to Africa House, WC2B 6AA



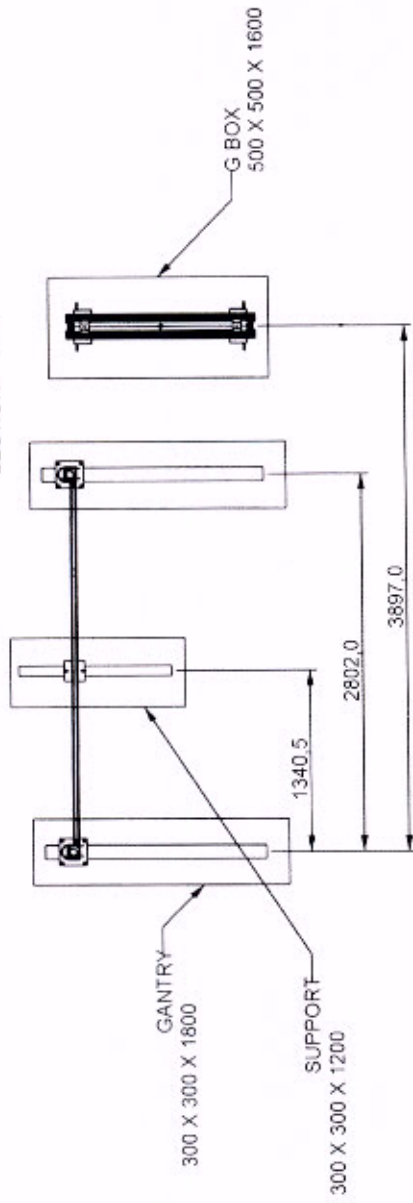
Ordnance Survey. © Crown Copyright. 2011. All rights reserved. License number 100020104. Printed Scale - 1:1250



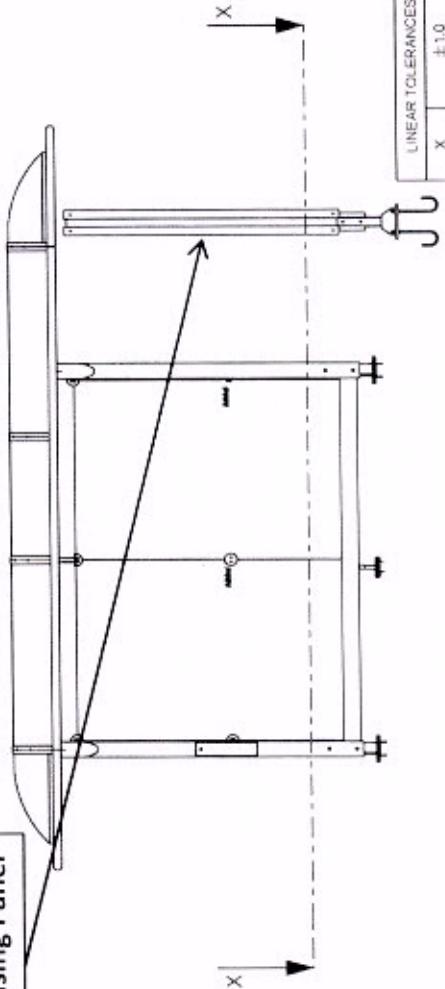
Existing Shelter

DRAWING NUMBER		PROJECTOR	
SIGMA_MK1A_GBOX			
SHEET 1 OF 1			

SECTION X-X



Advertising Panel



LINEAR TOLERANCES	
X	±1.0
X.X	±0.5
X.XX	±0.2
X.XXX	±0.1
ANGULAR TOLERANCES	
	±0.5 °

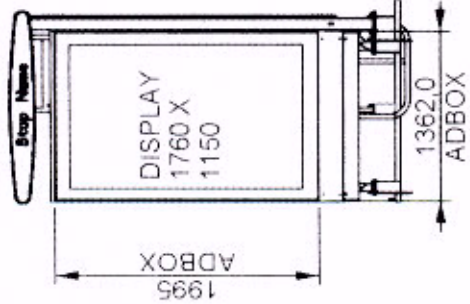
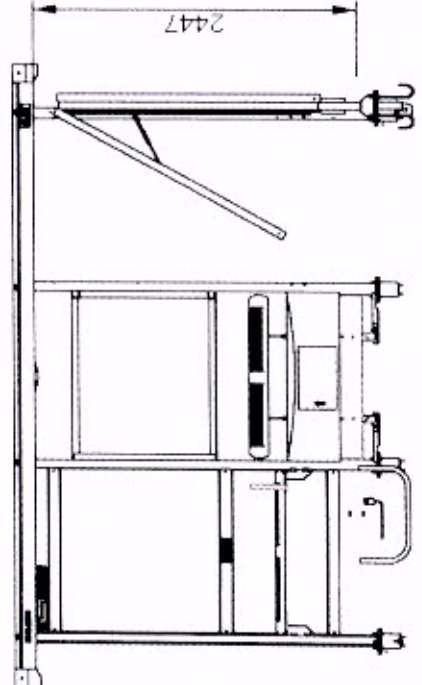
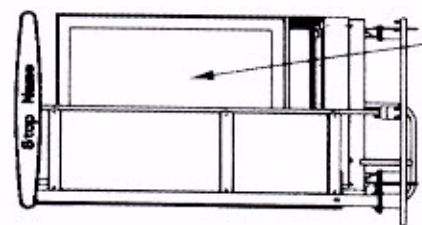
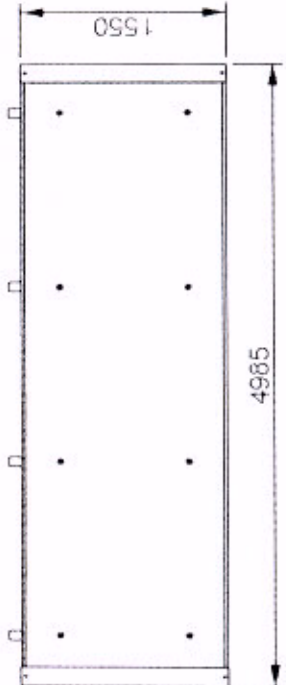
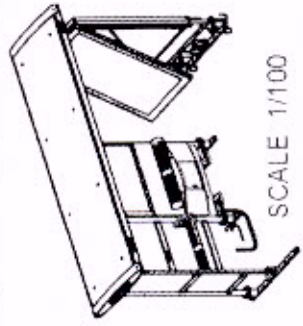
8/05/06	FIRST ISSUE	SH 1
DATE	ENGINEERING CHANGE RECORD NUMBER	INITIAL ISSUE

CLEAR CHANNEL
OUTDOOR

PROJECT	SIGMA	PRODUCT	SIGMA
TITLE	SIGMA MK1A		
SCALE	0.030	ALL DIMENSIONS UNLESS OTHERWISE SPECIFIED	SHEET 1 OF 1
DWG BY	S HAMILTON	AUTHORISED BY	
DATE	23 OCT 02	DATE	
<small>INFORMATION ON THE REVISIONS OF THIS DRAWING SHOULD BE OBTAINED FROM THE PROJECT MANAGER. ANY CHANGES TO THIS DRAWING SHOULD BE APPROVED BY THE PROJECT MANAGER AND THE DESIGNER. THIS DRAWING IS NOT TO BE USED FOR CONSTRUCTION WITHOUT THE APPROVAL OF THE PROJECT MANAGER.</small>			

DRAWING SIGMA_MK1A_GBOX

Proposed New Shelter



CLEAR CHANNEL
CULTIVATOR

PLANNING APPLICATION

PROJECT	LBSL	PRODUCT	LANDMARK LONDON
TITLE	3BAY_MS_STD_MK1A		
SCALE	1/50	ALL DIMENSIONS IN METERS	SHEET NO. 1 ORIGINAL 3025.A4
DWG BY	S HAMILTON	DATE	15/09/09
THIS DRAWING IS THE PROPERTY OF CLEAR CHANNEL LTD. CONTRACT IS VALID FOR THE DRAWING NO. 3025.A4. THE CONTRACT IS VALID FOR THE DRAWING NO. 3025.A4. THE CONTRACT IS VALID FOR THE DRAWING NO. 3025.A4. THE CONTRACT IS VALID FOR THE DRAWING NO. 3025.A4.			DRAWING NUMBER
			3BAY_MS_STD_MK1A

