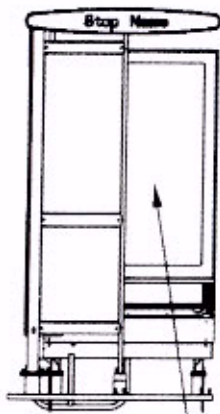
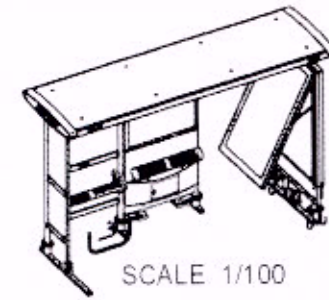
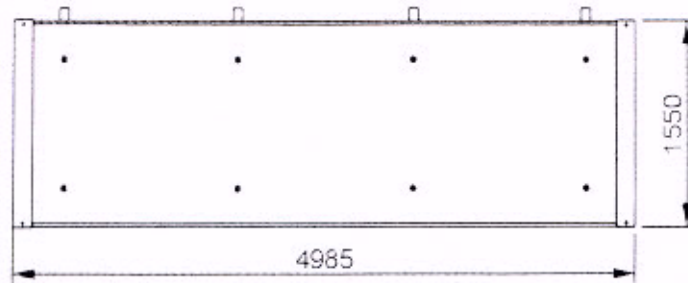
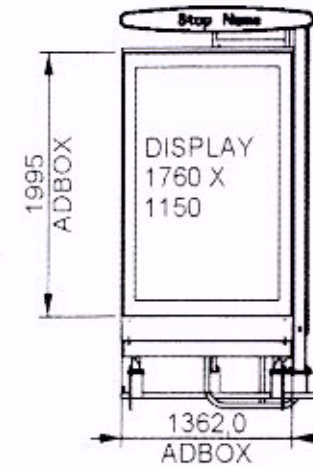
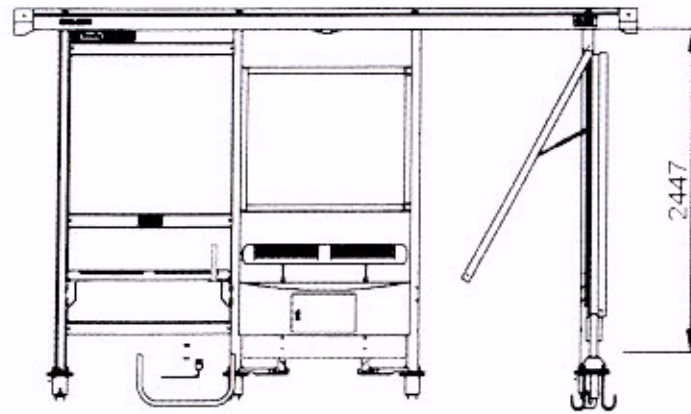


**Proposed New Shelter**



DISPLAY  
1760 X  
1150



**CLEAR CHANNEL**  
OUTDOOR

PLANNING  
APPLICATION

PROJECT	LBSL	PRODUCT	LANDMARK LONDON		
TITLE	3BAY_MS_STD_MK1A				
SCALE	1/50	A - ALL DIMENSIONS MM	SHEET NUMBER	SHEET 1 OF 1	ORIGINAL SIZE A4
DWG BY	S.HAMILTON		DATE	15/09/09	
<small>THIS DRAWING IS THE PROPERTY OF CLEAR CHANNEL LTD. NO PART OF THIS DRAWING IS TO BE REPRODUCED OR TRANSMITTED IN ANY FORM OR BY ANY MEANS, ELECTRONIC OR MECHANICAL, INCLUDING PHOTOCOPYING, RECORDING, OR BY ANY INFORMATION STORAGE AND RETRIEVAL SYSTEM, WITHOUT THE WRITTEN PERMISSION OF CLEAR CHANNEL LTD.</small>			DRAWING NUMBER		
			3BAY_MS_STD_MK1A		