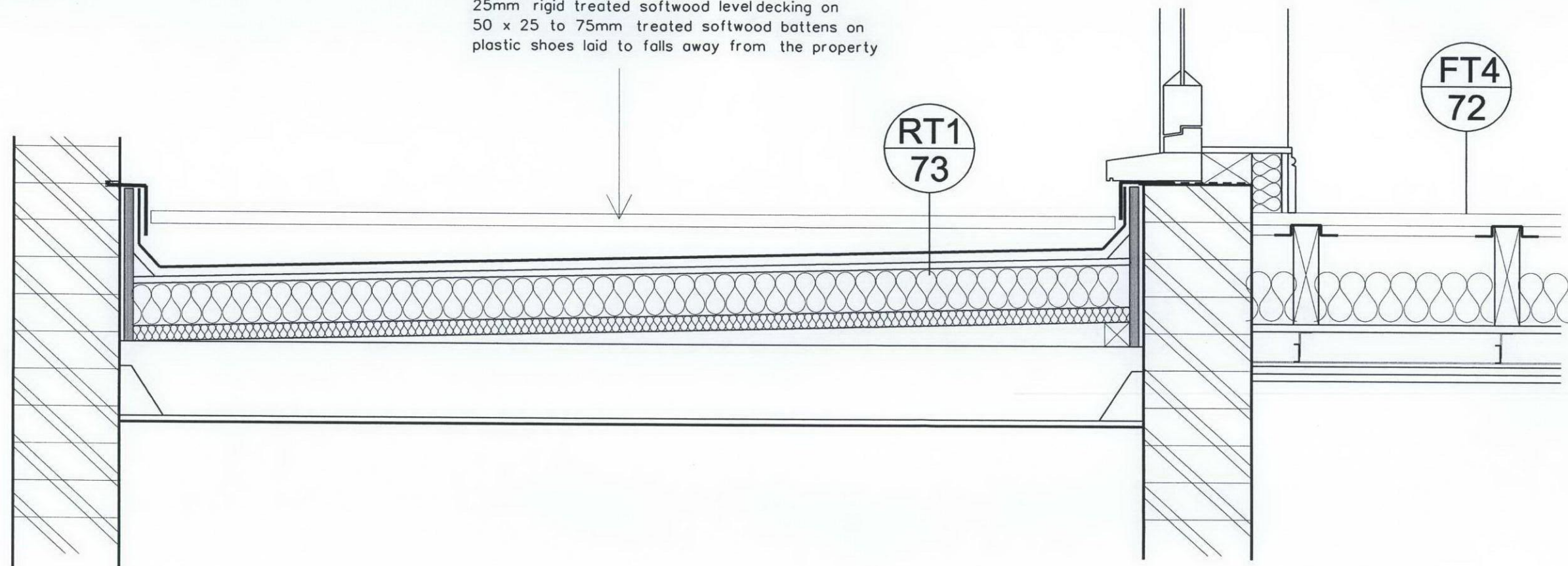


Abutment Detail

Decking

Threshold Detail

25mm rigid treated softwood level decking on
50 x 25 to 75mm treated softwood battens on
plastic shoes laid to falls away from the property



To be read with drawing 76 showing balustrading details

TERRACE ROOF DETAILS
67 GRAY'S INN ROAD
LONDON WC1X 8TL

BRILL ■ OWEN CHARTERED ARCHITECTS Grove House, 2B Lichfield Grove, London N3 2JP Telephone: 020 8349 0037 Fax: 020 8349 0092 E-mail: architects@brillowen.co.uk		SCALE 1:10
DATE Mar 11	DRAWN DJC	
DRG.NO. 10/725/75		