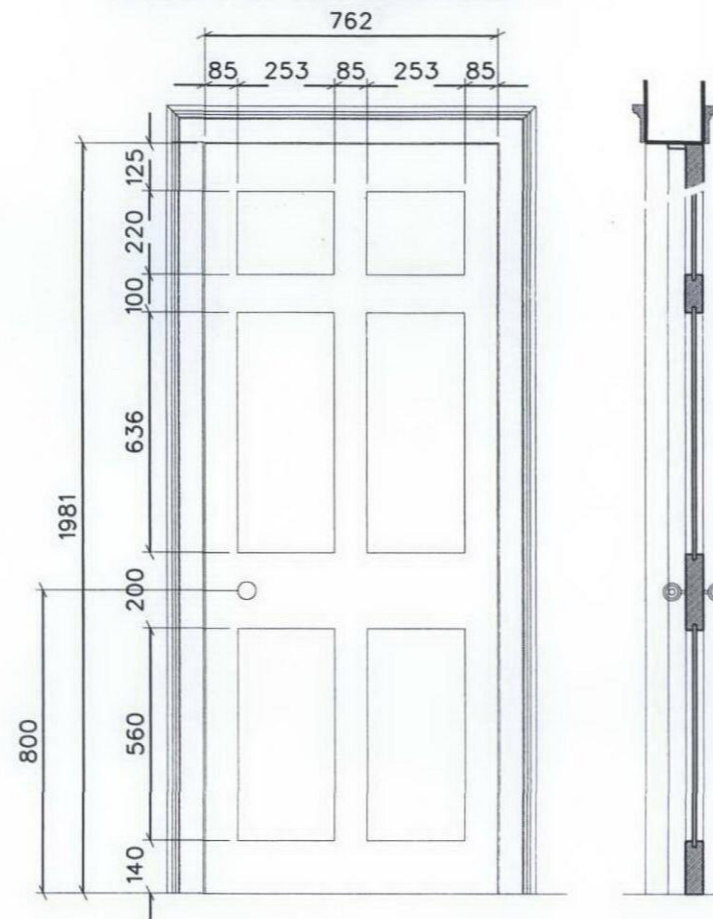


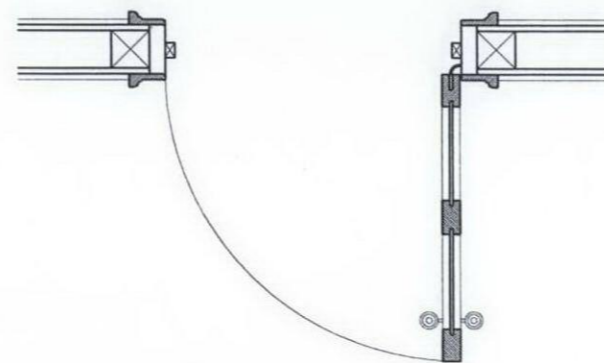
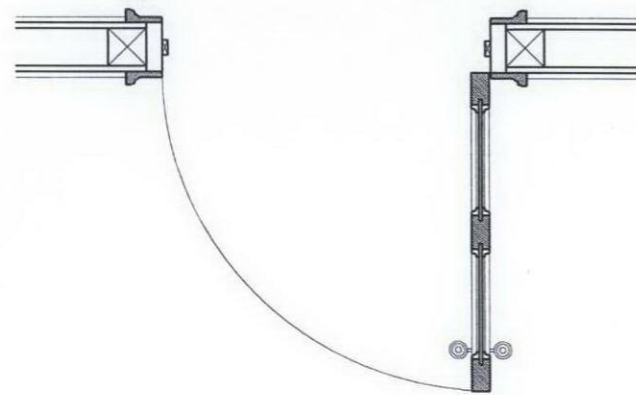
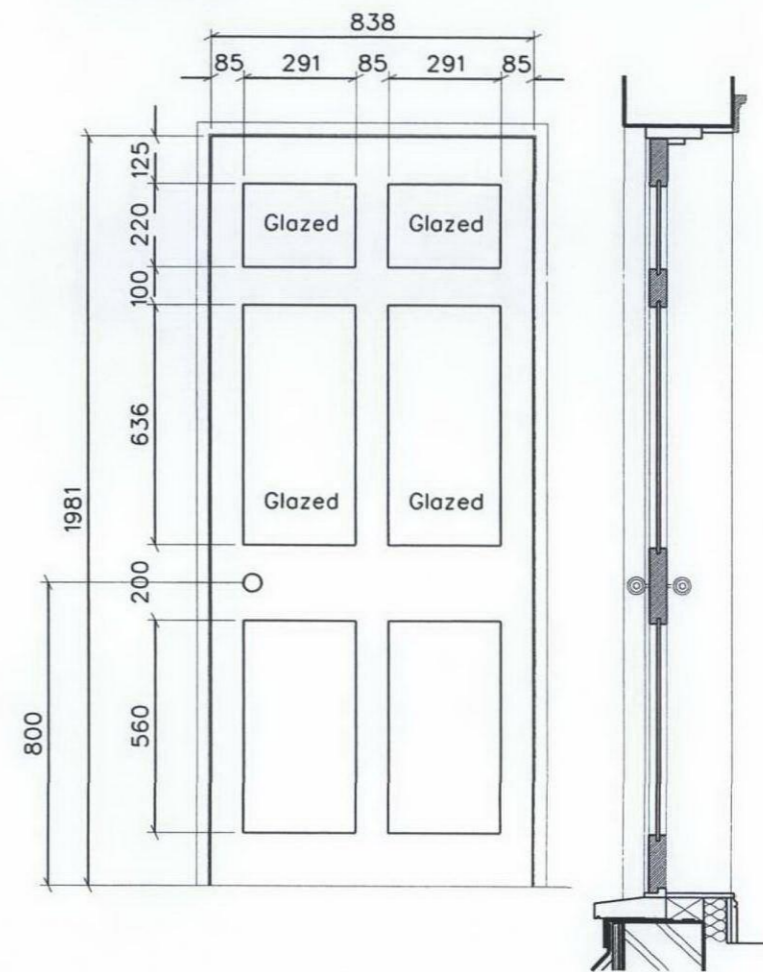
Existing First Floor Door DF01



New First Floor Doors NDF70 & NDF08



New First Floor External Door NDF09



First Floor Door Layouts 67 Gray's Inn Road London WC1X 8TL

Existing doors at 1st floor are 6 flat panel doors with bed moulds

New doors at first floor will be 6 flat panel doors with square shoulder profiles, self closers, 25mm stops, intumescent strips, FD30

Door Schedule

DF01 - Door fixed shut

DF02 - Replaced with FD30 6 flat panel door with square shoulder profiles (FD30 Sheraton Chelsea flat panel door by Longden) 1981 x 762 x 45

NDF07 and NDF08 - New FD30 6 flat panel doors with square shoulder profiles (FD30 Sheraton Chelsea flat panel door by Longden) 1981 x 762 x 45

NDF09 New external 6 flat panel door with square shoulder profiles (FD60 Sheraton Chelsea flat panel door by Longden) Top 4 panels glazed 1981 x 838 x 45

BRILL ■ OWEN		SCALE	1:20
<i>CHARTERED ARCHITECTS</i>		DATE	DRAWN
Grove House, 2B Lichfield Grove, London N3 2JP Telephone: 020 8349 0037 Fax: 020 8349 0092 E-mail: architects@brillowen.co.uk		Feb 11	DJC
		DRG.NO.	10/725/62