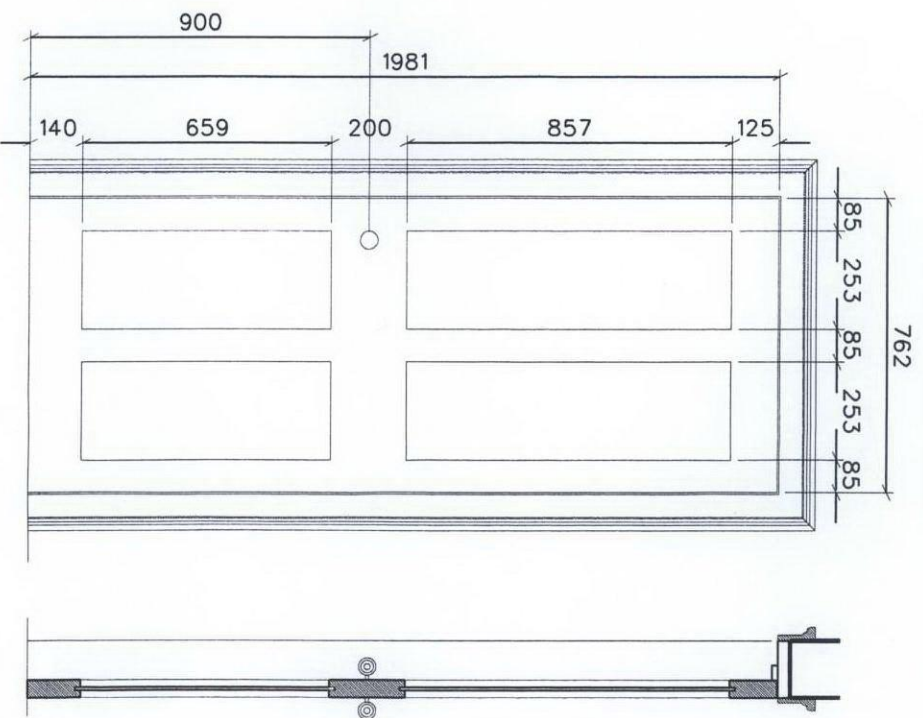


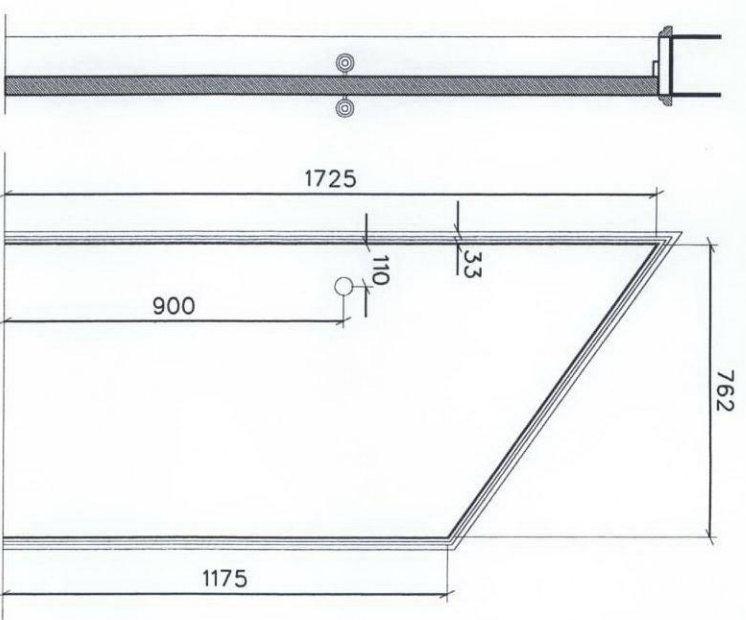
Existing Basement Doors

Existing doors at basement level are a mix of timber and metal doors with four panel, six panel and flush faced

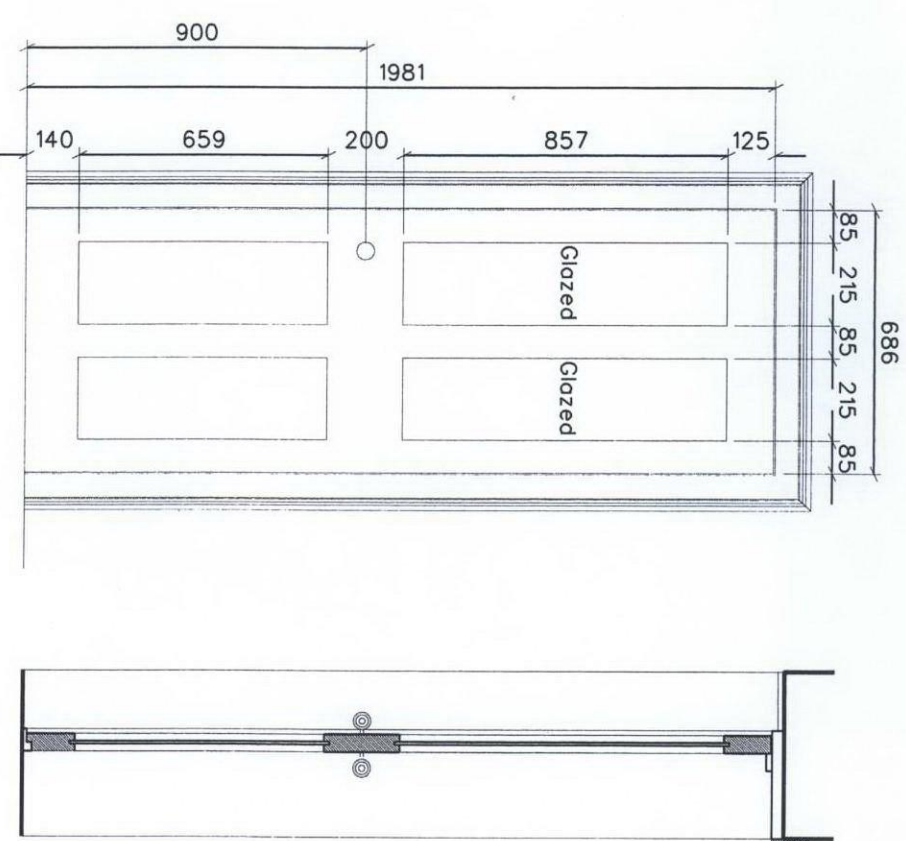
New Basement Door NDB7



New Basement Doors NDB4 and NDB8



New Basement External Door NDB5



All door opening dimensions to be confirmed to the architect before fabrication

New doors at Basement will be 4 flat panel doors with square shoulder profiles, self closers, 25mm stops, intumescent strips, FD30

Door Schedule

DBD4 & 8 - New flush faced access doors with angled heads and reduced architraves

DBD5 New external 4 flat panel door with square shoulder profiles (FD30 Sheraton Sussex flat panel door by Longden) Top 2 panels glazed 1981 x 838 x 45

DBD7 - FD30 4 flat panel door with square shoulder profiles (FD30 Sheraton Sussex flat panel door by Longden) 1981 x 762 x 58



For Architrave detail see Drawing 80

Basement Door Layouts 67 Gray's Inn Road London WC1X 8TL

BRILL ■ OWEN		SCALE	1:20
CHARTERED ARCHITECTS		DATE	Feb 11
Grove House, 2B Lichfield Grove, London N3 2JP		DRAWN	DJC
Telephone: 020 8349 0037 Fax: 020 8349 0092		DRG.NO.	10/725/60
E-mail: architect@brillowen.co.uk			