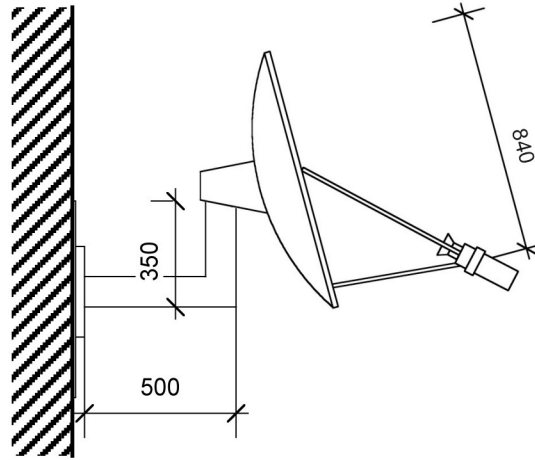
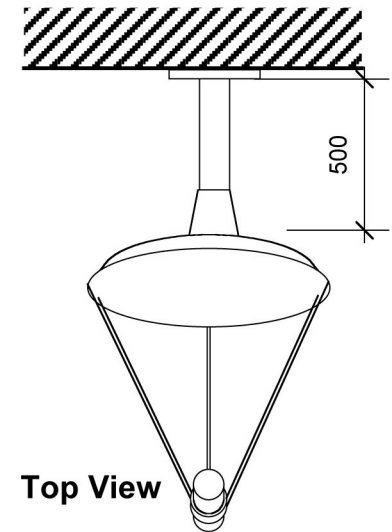


**Front View**



**Side View**



**Top View**

THE ANTENNA ARE WHITE IN  
COLOUR ALUMINIUM/ALLOY  
CONSTRUCTION WITH  
GALVANISED STEEL BRACKETRY