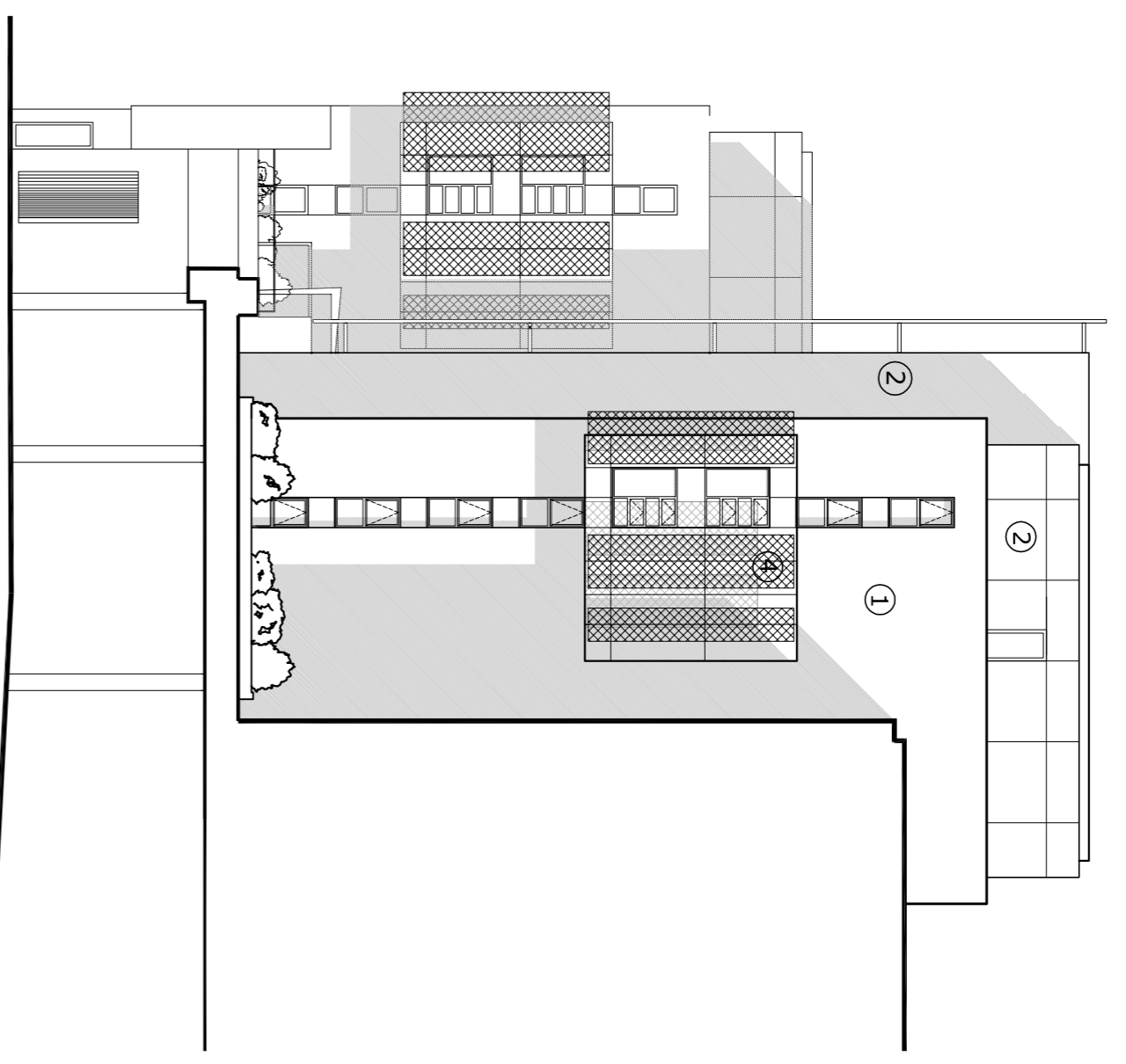
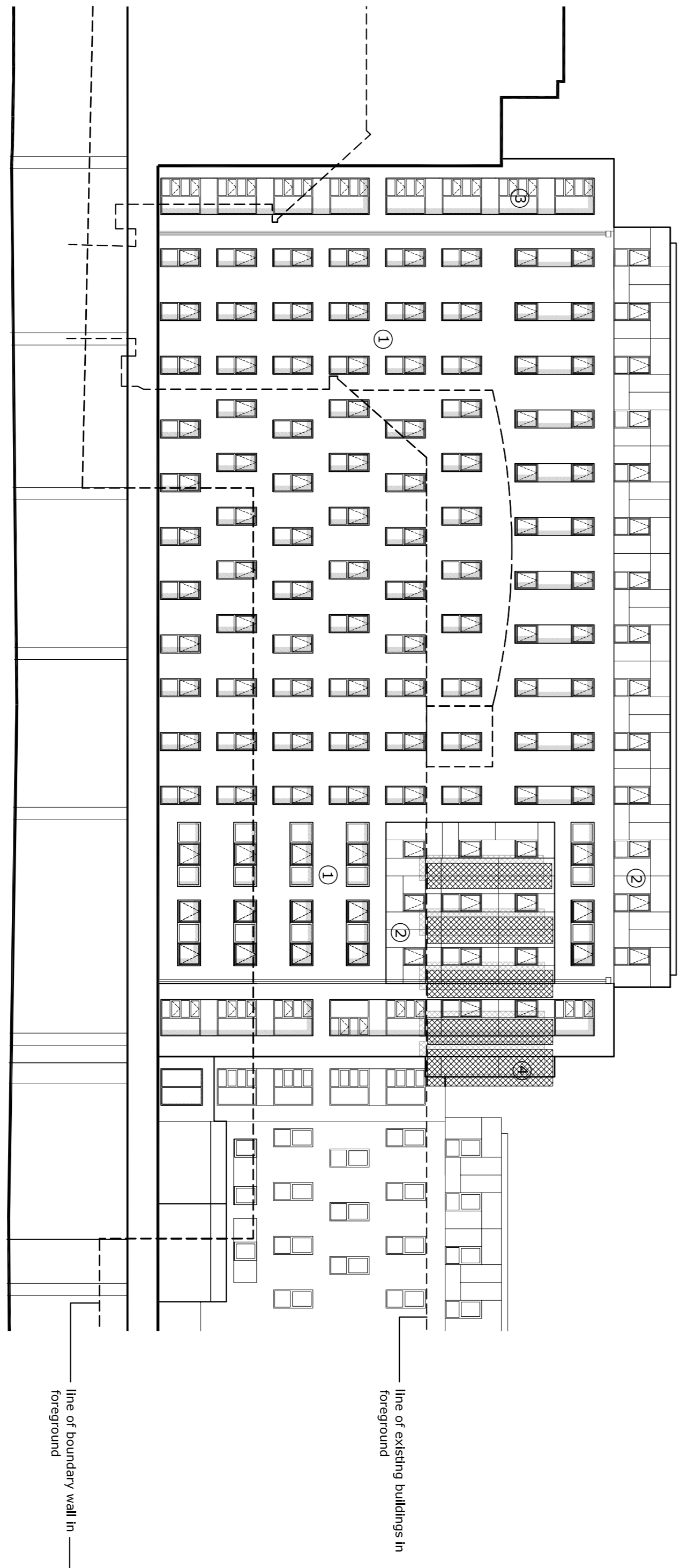


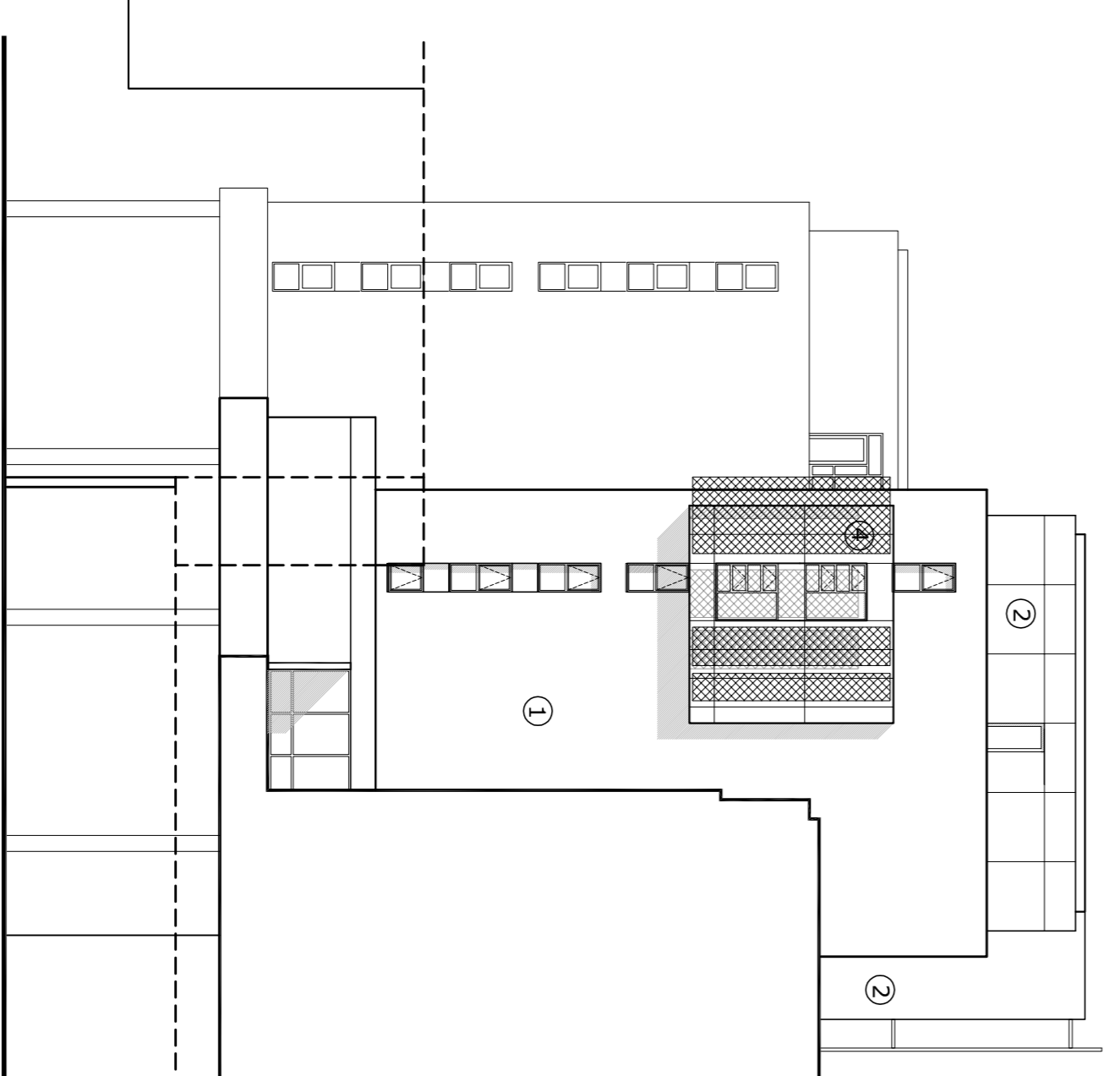
1 East



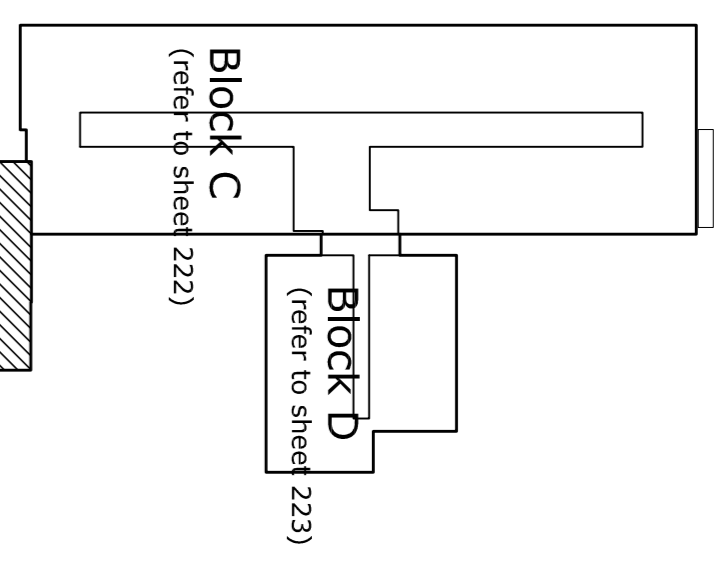
2 North



3 West



4 South

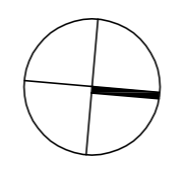


Block A
(refer to sheet 220)

Block B

Block C
(refer to sheet 222)

Block D
(refer to sheet 223)

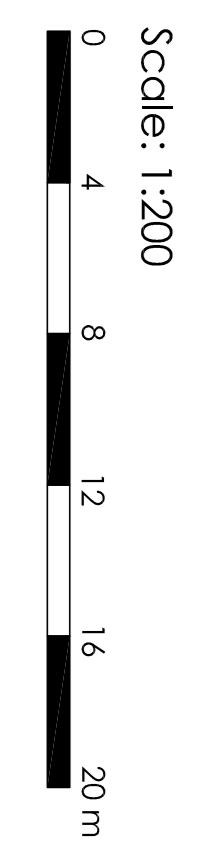


Keyplan
1:500

- Materials schedule:
- 1 Brick to approved sample
 - 2 Cladding panels to approved sample
 - 3 Aluminium PC glazing
 - 4 Metal mesh to approved sample

DESCRIPTION	DATE
C DDA works - Top floor steel and steel divisions at end block	10/07/11
B External cladding - External cladding to service core	27/08/11
A Finishing Works	24/03/11

Bellis Cooley | Architects
 Studio 2011, 18 Baldwin's Gardens, London EC2N 7RU
 0203 5176 4481 www.belliscooley.com
Unite PLC - Travis Perkins
 11-13 St Pancras Way
 London NW1



DRAWING TITLE
Proposed Elevations - Block B
 DRAWN BY AH DATE 04/10/10 CHECKED RC
 SCALE 1:200 @ A1 & 1:400 @ A3 SHEET NO. A1
 DRAWING NO. 0500 - 221 REV. C