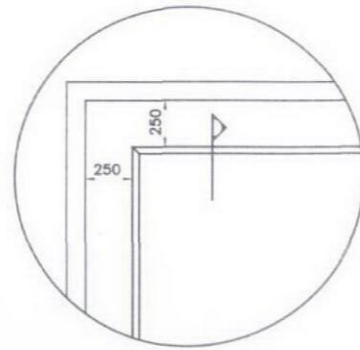


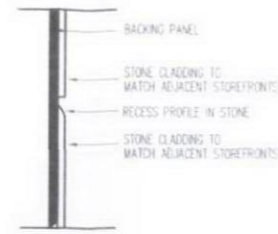
NOTES:



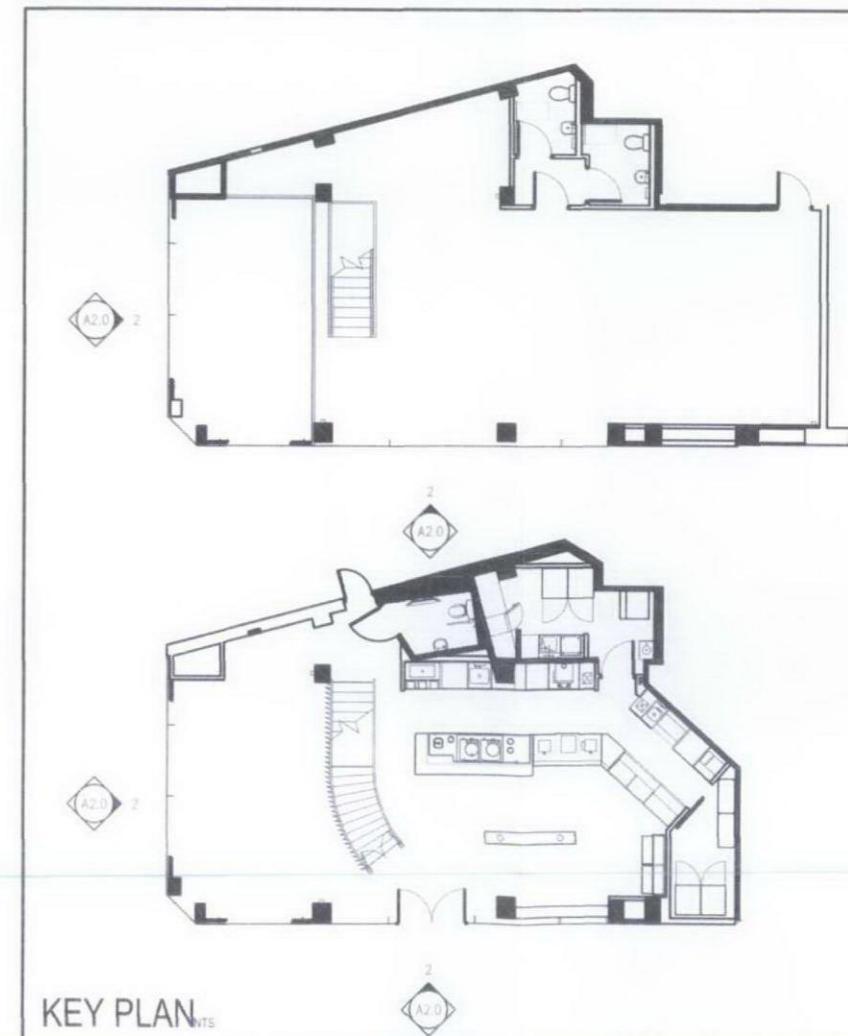
1 PROPOSED SIDE ELEVATION



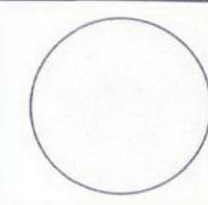
STONE RECESS DETAIL



SECTION



KEY PLAN



STARBUCKS
COFFEE COMPANY
2401 UTAH AVENUE SOUTH
SEATTLE, WASHINGTON 98134
(206) 318-1575

THESE PLANS AND SPECIFICATIONS, AS WELL AS STARBUCKS NAME AND LOGO, TRADEMARKS AND DESIGNS ARE THE EXCLUSIVE PROPERTY OF STARBUCKS CORPORATION. ANY REPRODUCTION, MODIFICATION, DISSEMINATION AND/OR USE OF THESE MATERIALS OR ANY PORTION OF THEM WITHOUT STARBUCKS' PRIOR WRITTEN CONSENT IS STRICTLY PROHIBITED.

CONSULTANTS
THIS DRAWING IS A DESIGN DEVELOPMENT DOCUMENT. SITE SPECIFIC MODIFICATIONS MAY OCCUR UNDER THE RESPONSIBLE CHARGE OF THE ARCHITECT AND/OR ENGINEER-OF-RECORD. ALL REQUIRED PERMITS TO OBTAIN THIS DOCUMENT FOR BIDDING, PERMITTING OR CONSTRUCTION.

REV DATE	PD DESCRIPTION
1 27/06/11	TIMBER CLADDING REPLACED WITH STONE FINISH
2 27/06/11	REMOVAL OF PROJECTING SIGN

PROJECT: NEW OXFORD STREET
112-116 NEW OXFORD STREET
LONDON
COUNTRY: ENGLAND

STORE #: 12164
PROJECT #: 08163-002
CONCEPT: EB LH
PALETTE: ARTISAN
ISSUE DATE: 22 JUNE 2011
DM: R MORGAN
PD:
CHECKED:

SHEET TITLE
PROPOSED WESTERN
STORE FRONT
ELEVATIONS

SCALE: 1:100 @ A3
(DO NOT SCALE DRAWINGS)

SHEET NUMBER
A2.0