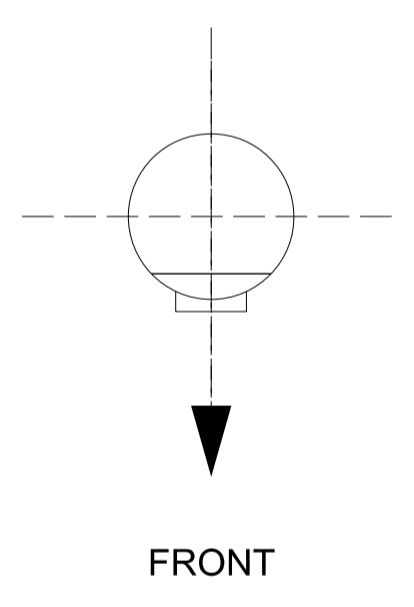


01 Plan A

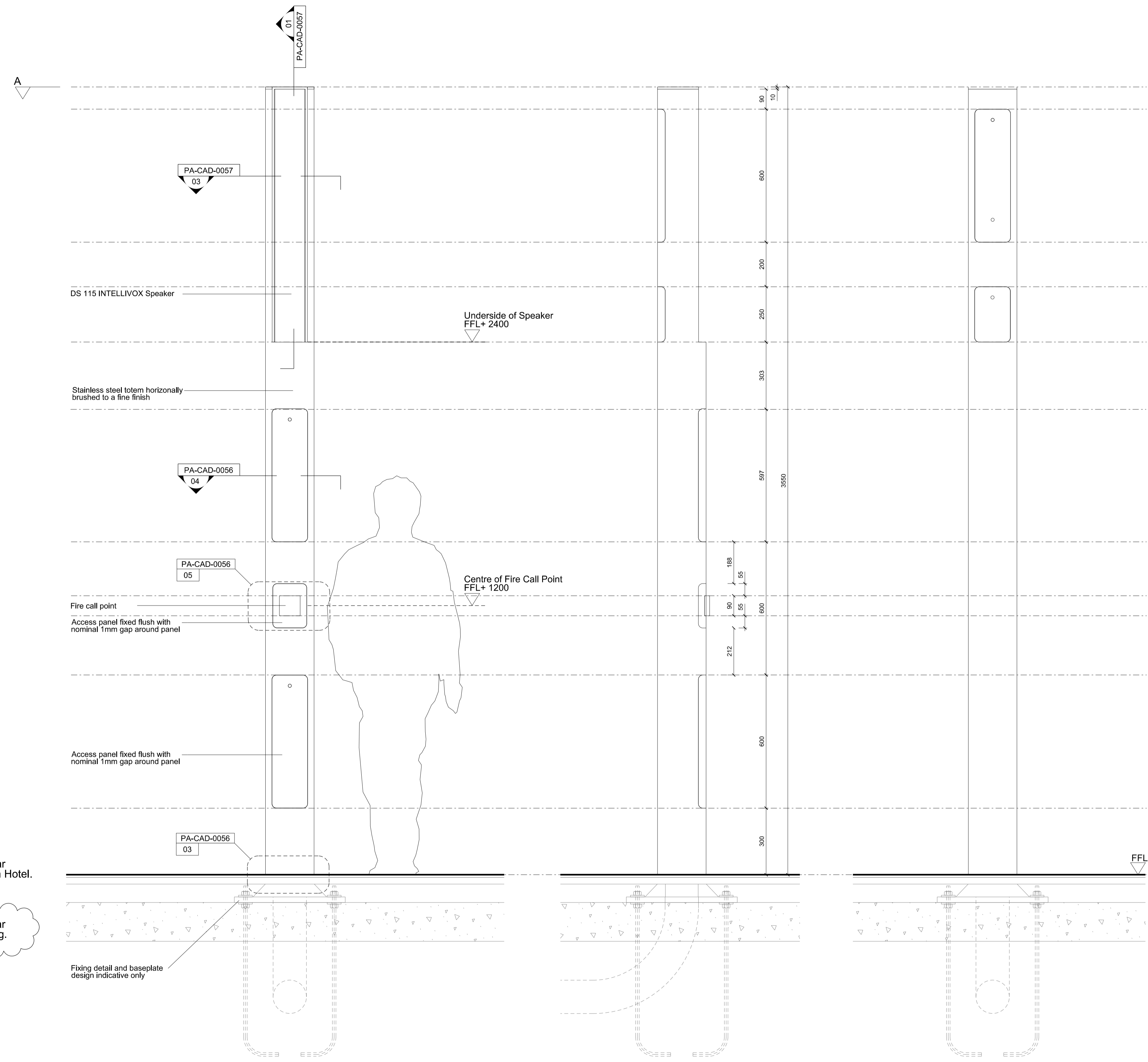


FRONT

For alignment of totems refer to GA series PA-CAP-0071 to 0073 and PA-CAP-0075 to 0079

Front elevation of Totem 30 to be positioned perpendicular to escalator balustrade, facing towards the great Northern Hotel.

Front elevation of Totem 10 to be positioned perpendicular to Grid WH, facing away from the Western Range Building.



02 Front Elevation

03 Side Elevation

04 Back Elevation

NOTE:
Drawing shows visual intent only and is not for construction. Contractor required to complete structural and services design, including steel section diameter and wall thickness.

Grade and selection of stainless steel to be agreed with N.R

Final design to be submitted to Programme Architect for review.

02	17-05-11	UR	JW	SG
FOR CONSTRUCTION				
01	10-01-11	ADa	JW	SG
FOR INFORMATION				
00	17-12-10	ADa	JW	SG
FOR INFORMATION				
Issue	Date	By	Chkd	Appd



Author
JOHN MCASLAN + PARTNERS
7-9 William Road
London NW1 3ER
T +44 (0)20 7313 6000
F +44 (0)20 7313 6001
www.mcaslan.co.uk

Job Title
Kings Cross Package 6

Drawing Title
Totem Details
Type F

Scale at A1 1:10
CCMS No ...

Drawing Status
FOR CONSTRUCTION

JMP/Job No	Drawing No	Rev.
1243.14	PA-CAD-0045	02