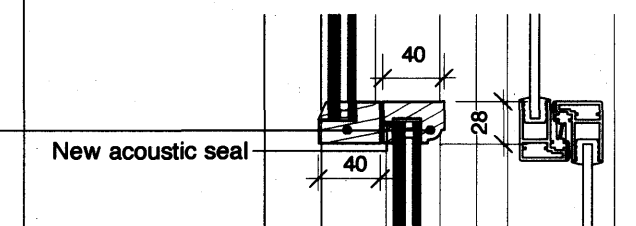
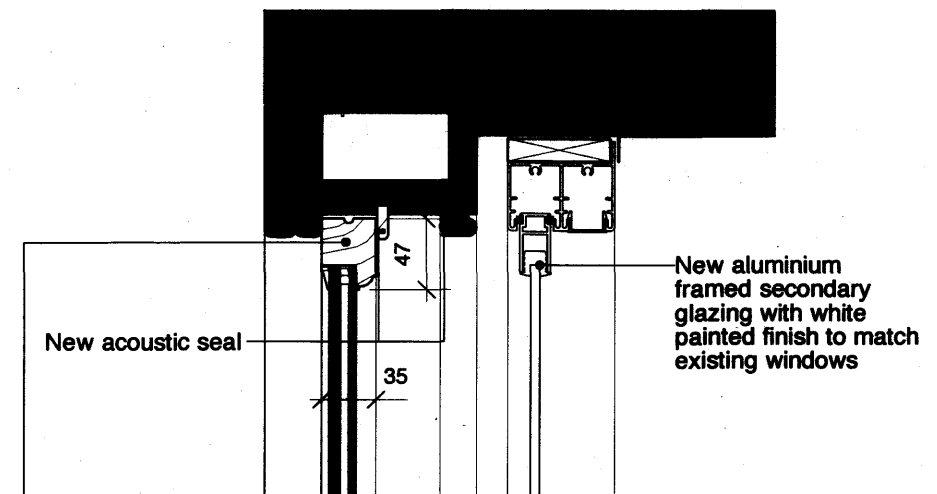
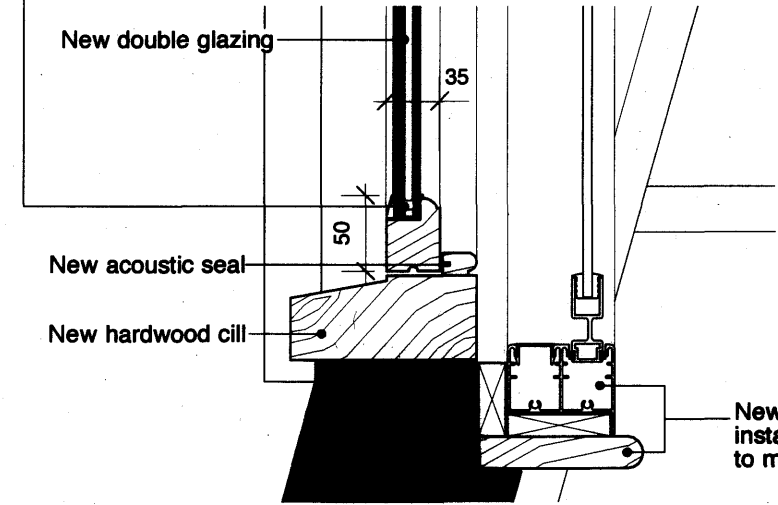


01 Existing Head & Cill Detail of Front Window On Third Floor
A/008



New sash window frame & putty to accommodate new double glazing
New frame to be made in same configuration as original window



New secondary glazing installed on a new lower cill to maintain sight lines

02 Proposed Head & Cill Detail of Front Window On Third Floor
A/008

Planning

PROJECT		8 Tower Court, WC2H 9NU				panter hudson architects	
DRAWING		EXISTING & PROPOSED SECTION DETAIL THROUGH FRONT SASH WINDOW THIRD FLOOR				4-8 Emerson Street, London SE1 9DU t: 020 7833 9425 e: info@panterhudson.com	
JOB No.	DRAWING No.	REV			SCALE	SIZE	
371	A / 008	-			1:5	A3	
REV	DESCRIPTION	XX	MP	MS	24 / 10 / 11	DO NOT SCALE THIS DRAWING. CHECK ALL DIMENSIONS ON SITE. IF IN DOUBT ASK	
		REV BY	CHKD BY	ISSD BY	DATE	All information contained in this drawing is sole copy right of Panter Hudson Architects and is not to be reproduced without their permission.	