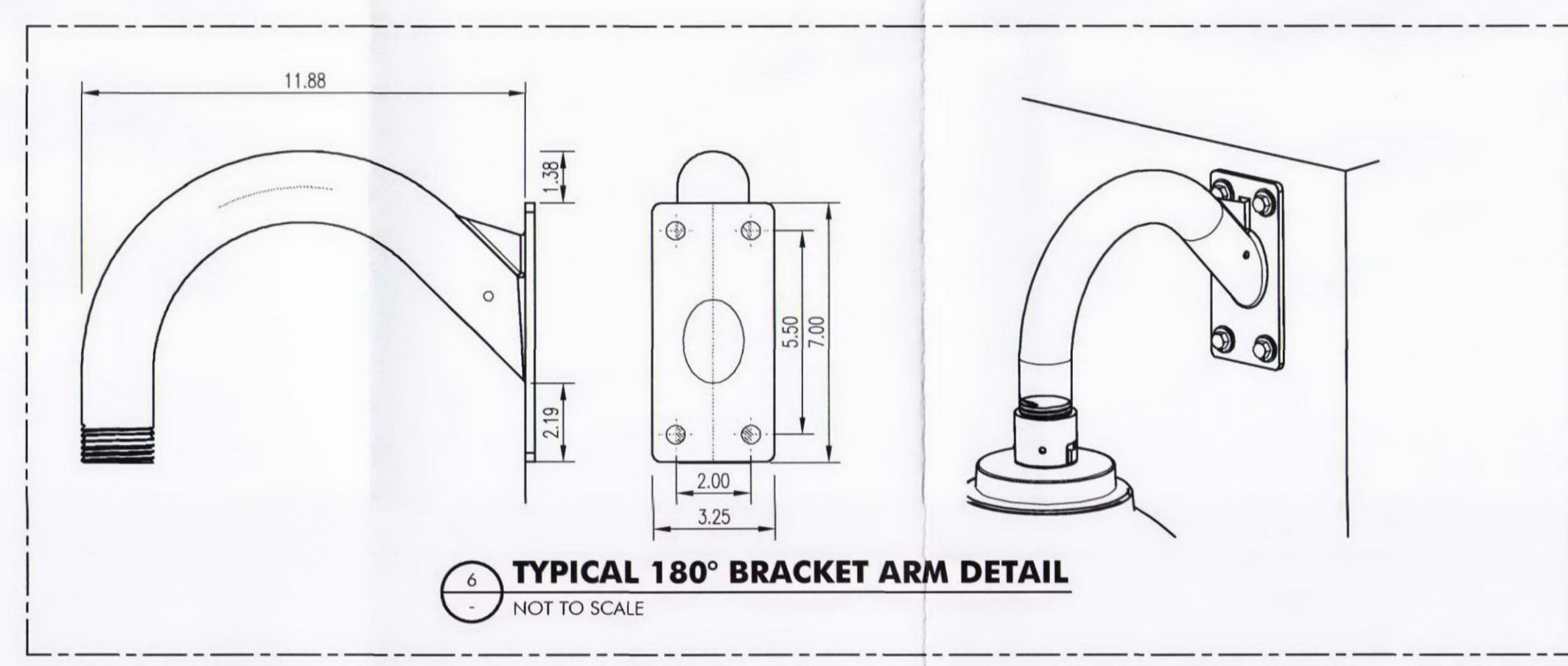
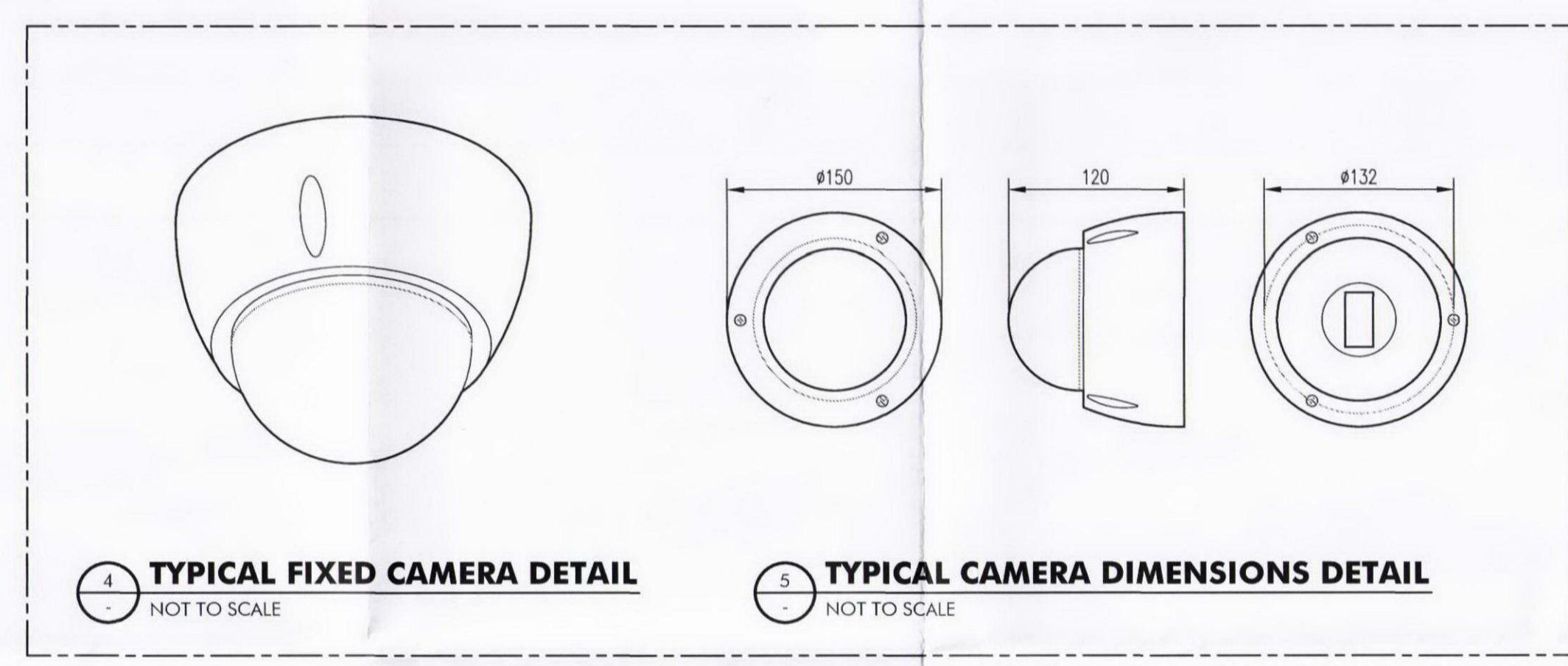
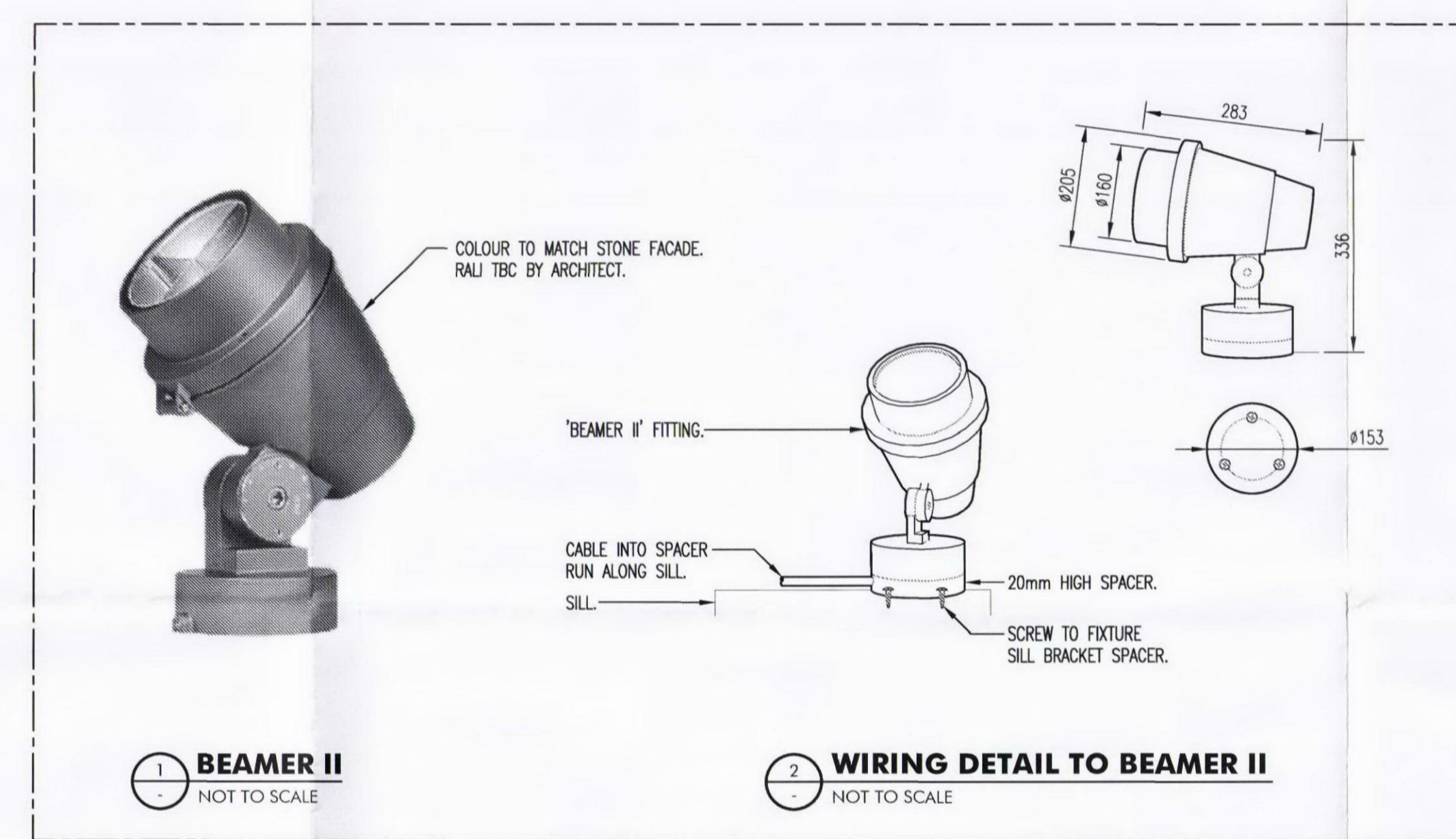
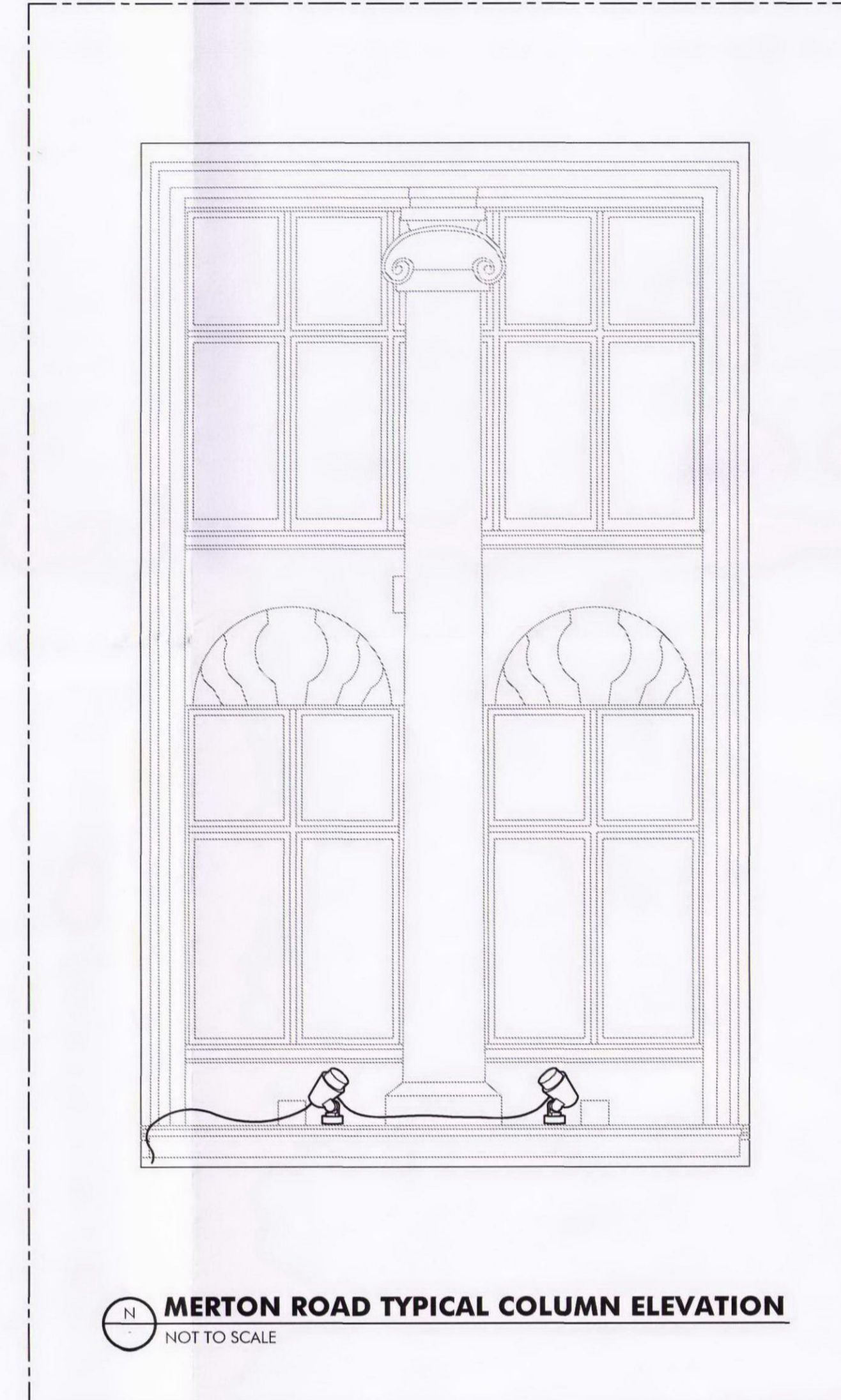
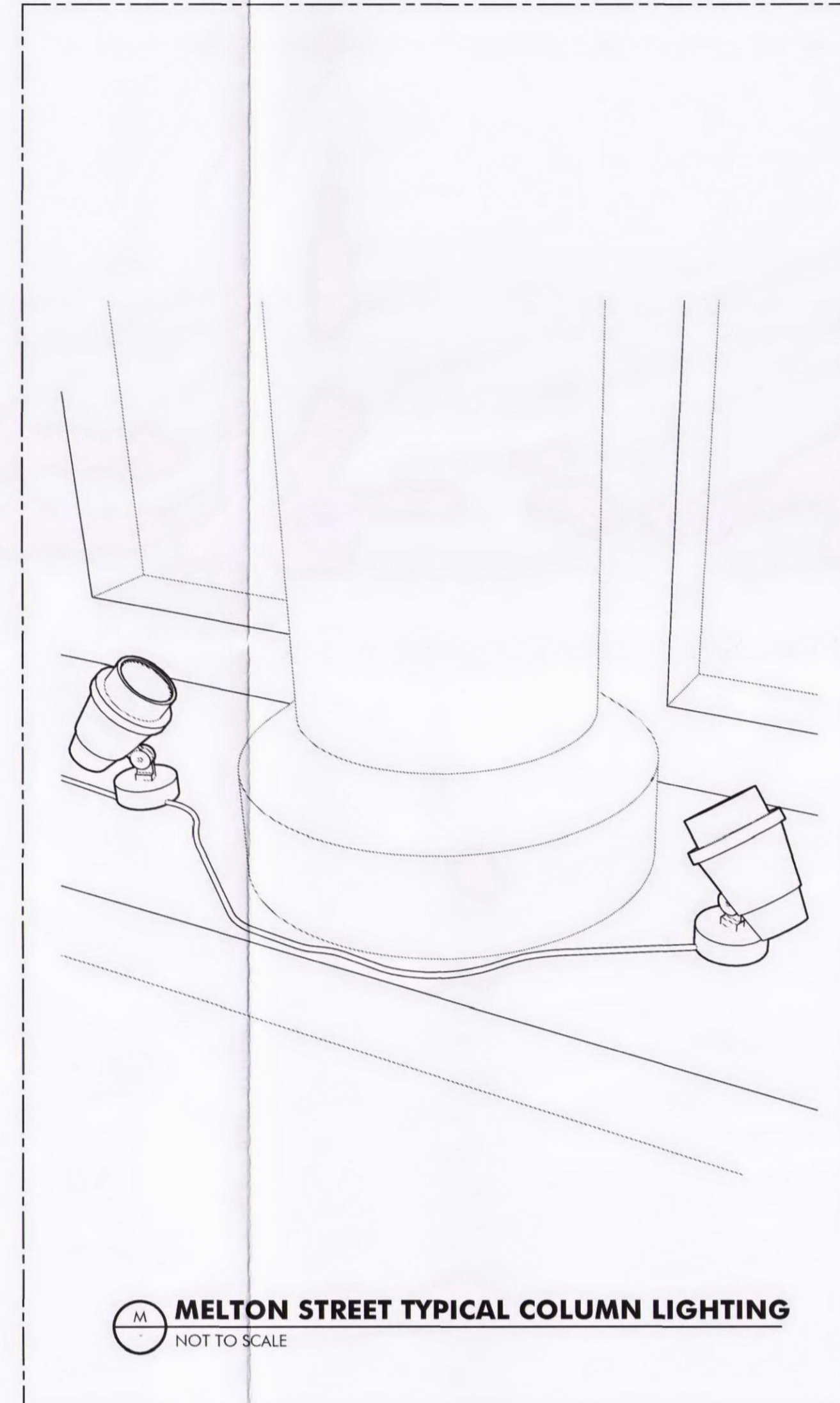
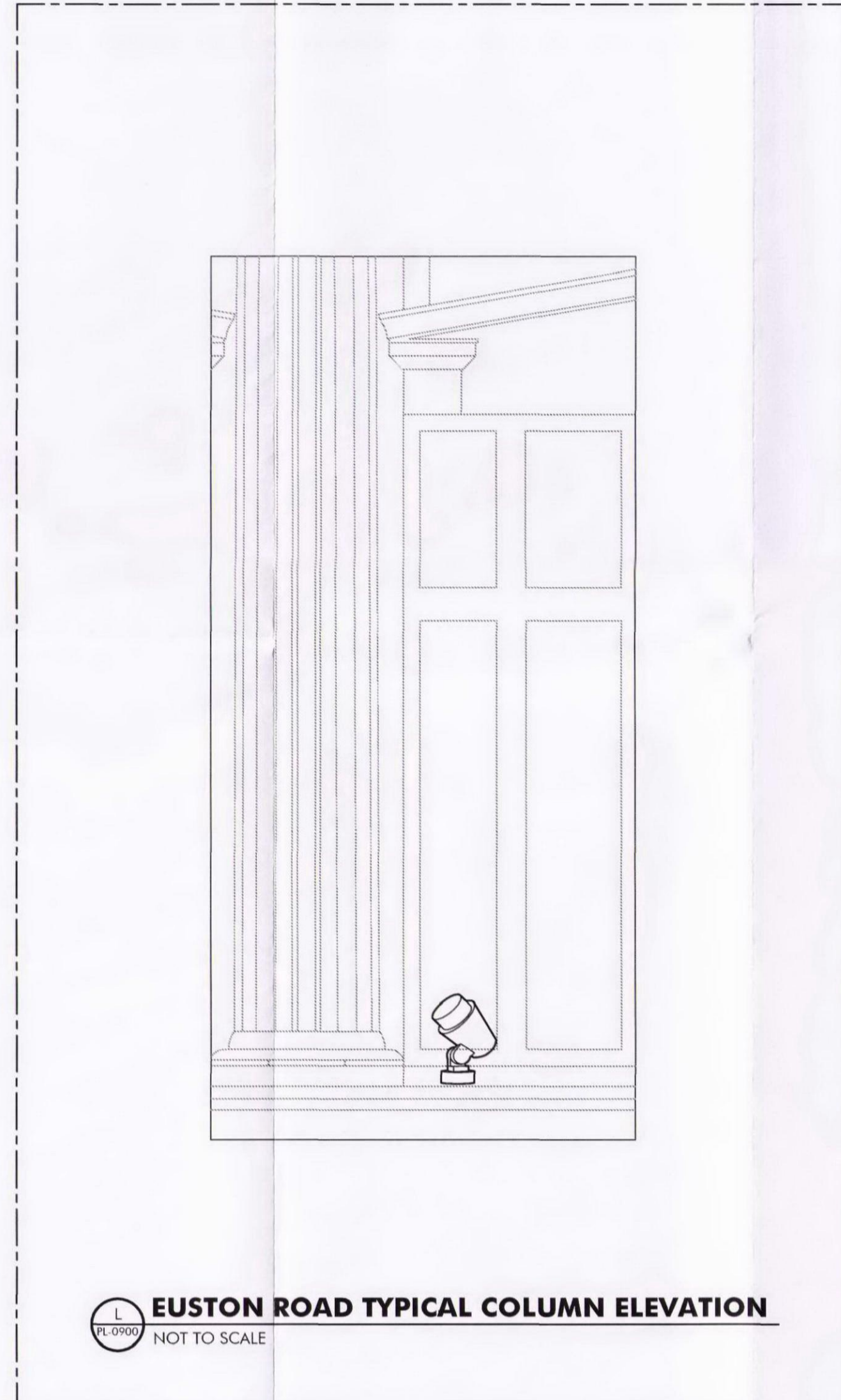
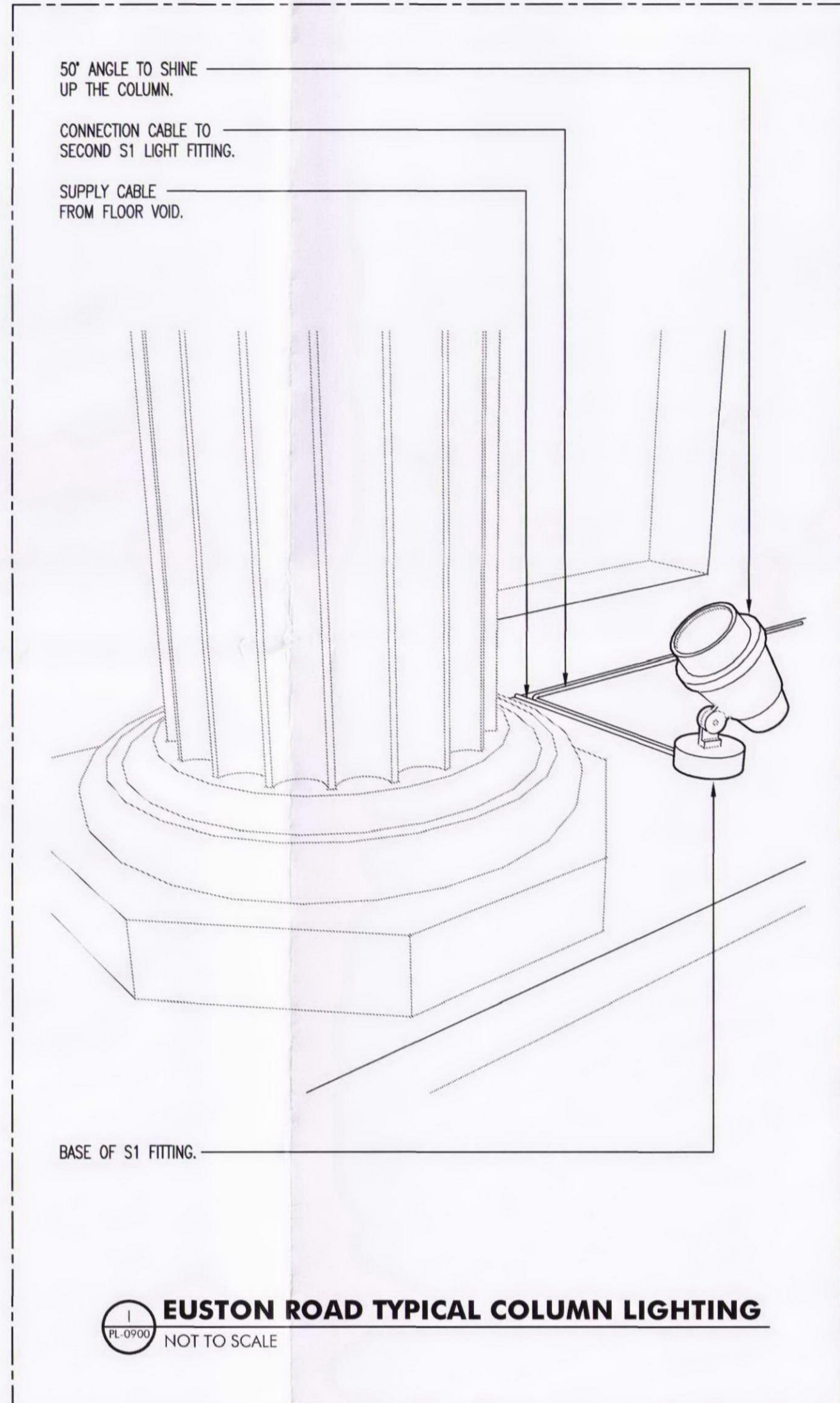


FOR LEGEND REFER TO DRAWING E-0000

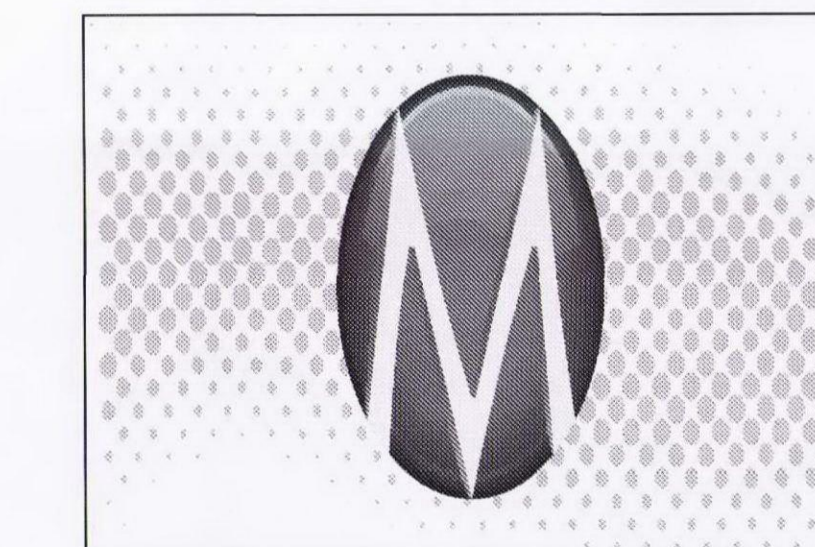
ISSUE	ISSUE DETAILS	DATE	CHKD
A	DRAFT ISSUE	10-06-11	NJ
B	ISSUED FOR PLANNING	16-06-11	NJ
C	ISSUED FOR PLANNING	11-10-11	NJ

FOR PLANNING



MEDLAND METROPOLIS
 200 St John Street
 London EC1V 4RN
 www.medlandmetropolis.com

08435 060 300
 08435 060 301



RCGP
 30 EUSTON SQUARE
 17 OCT 2011

ELECTRICAL SERVICES
 PLANNING APPLICATION
 EUSTON ROAD
 DETAILS & SECTIONS

DESIGNED: RW
 DRAWN: MW
 SCALE: AS SHOWN AT A0

JUNE 2011

DRAWING No: **L10835-PL-0911**