

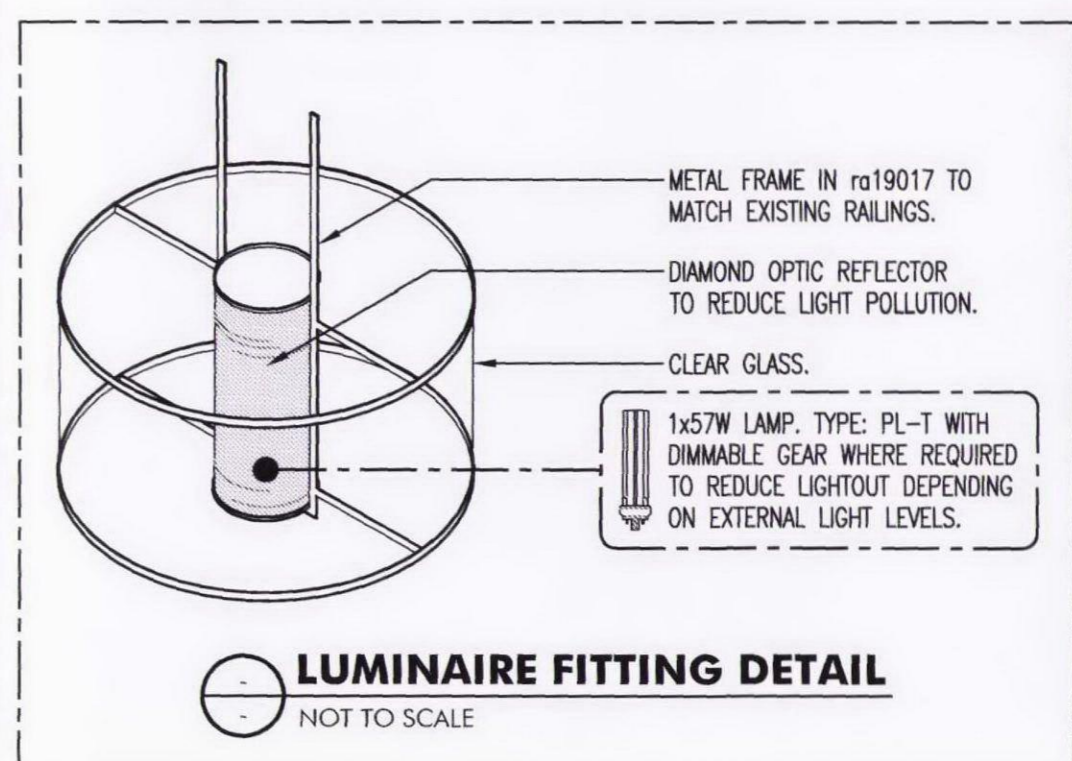
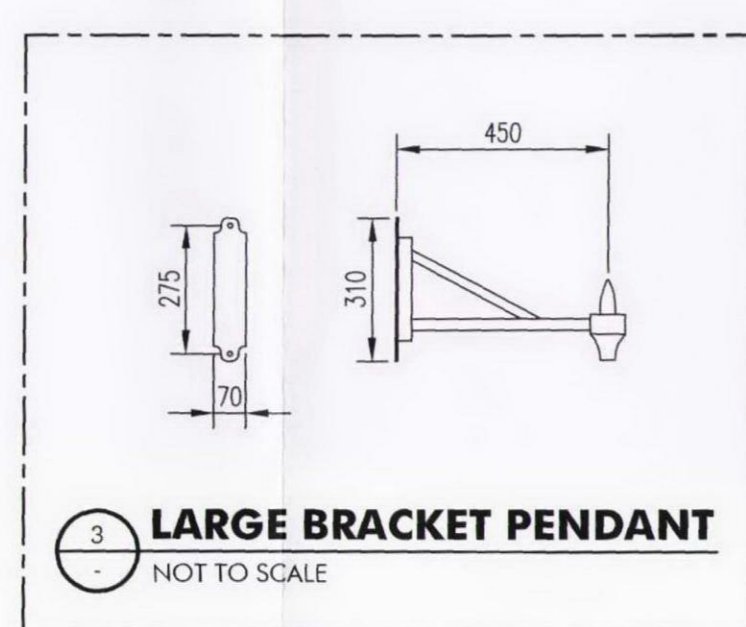
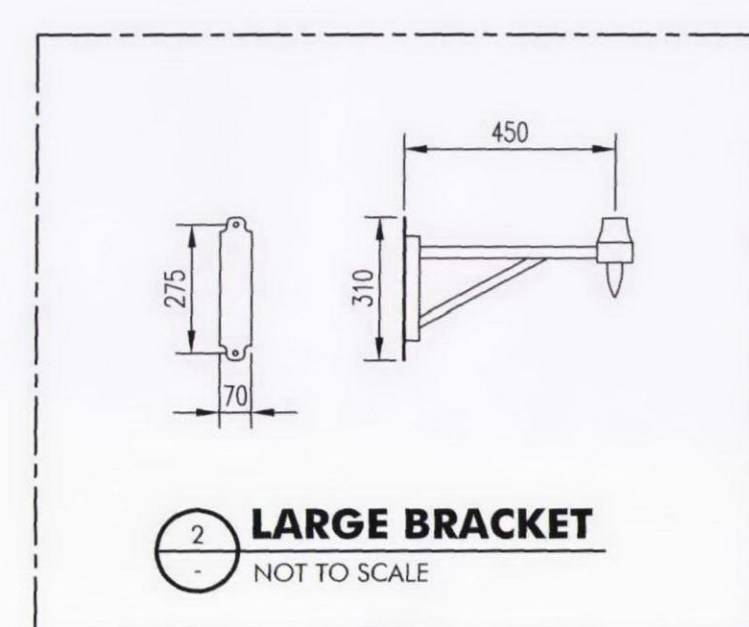
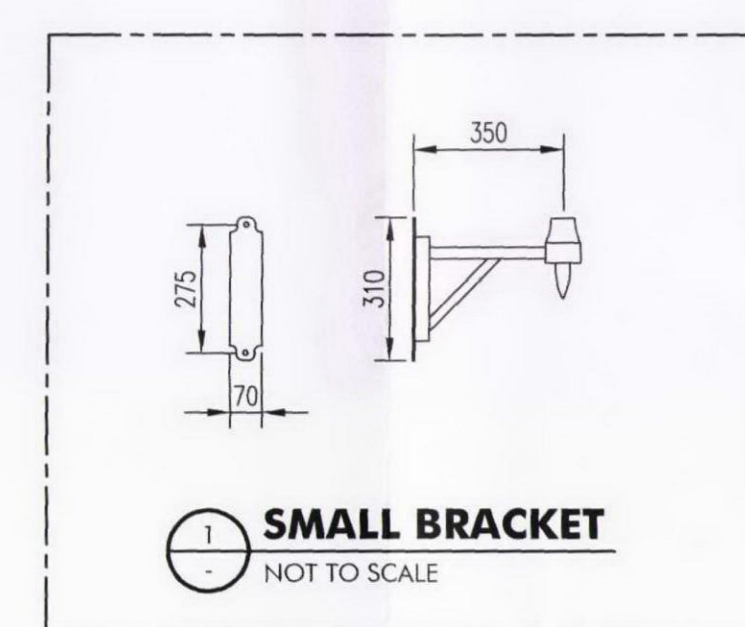
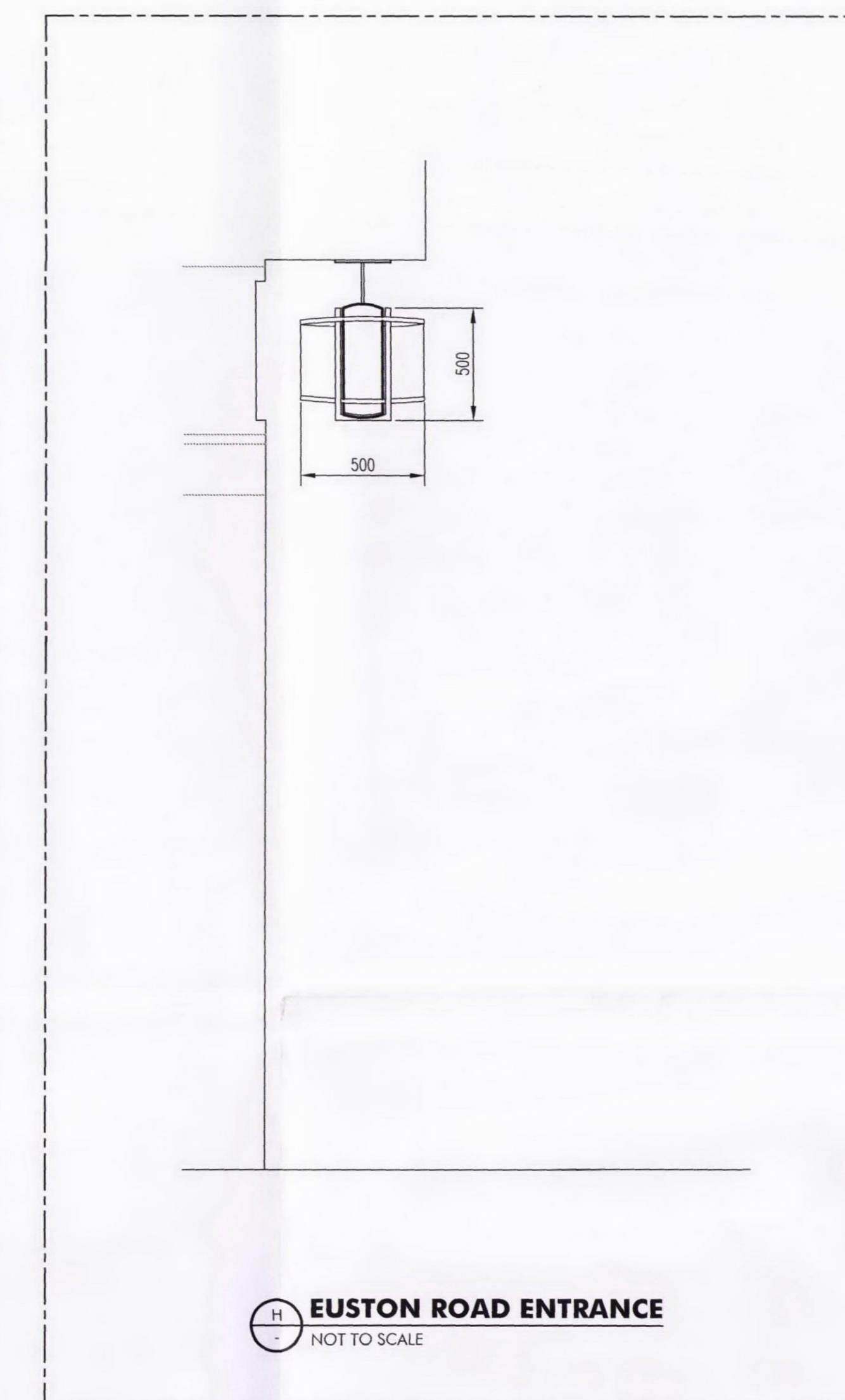
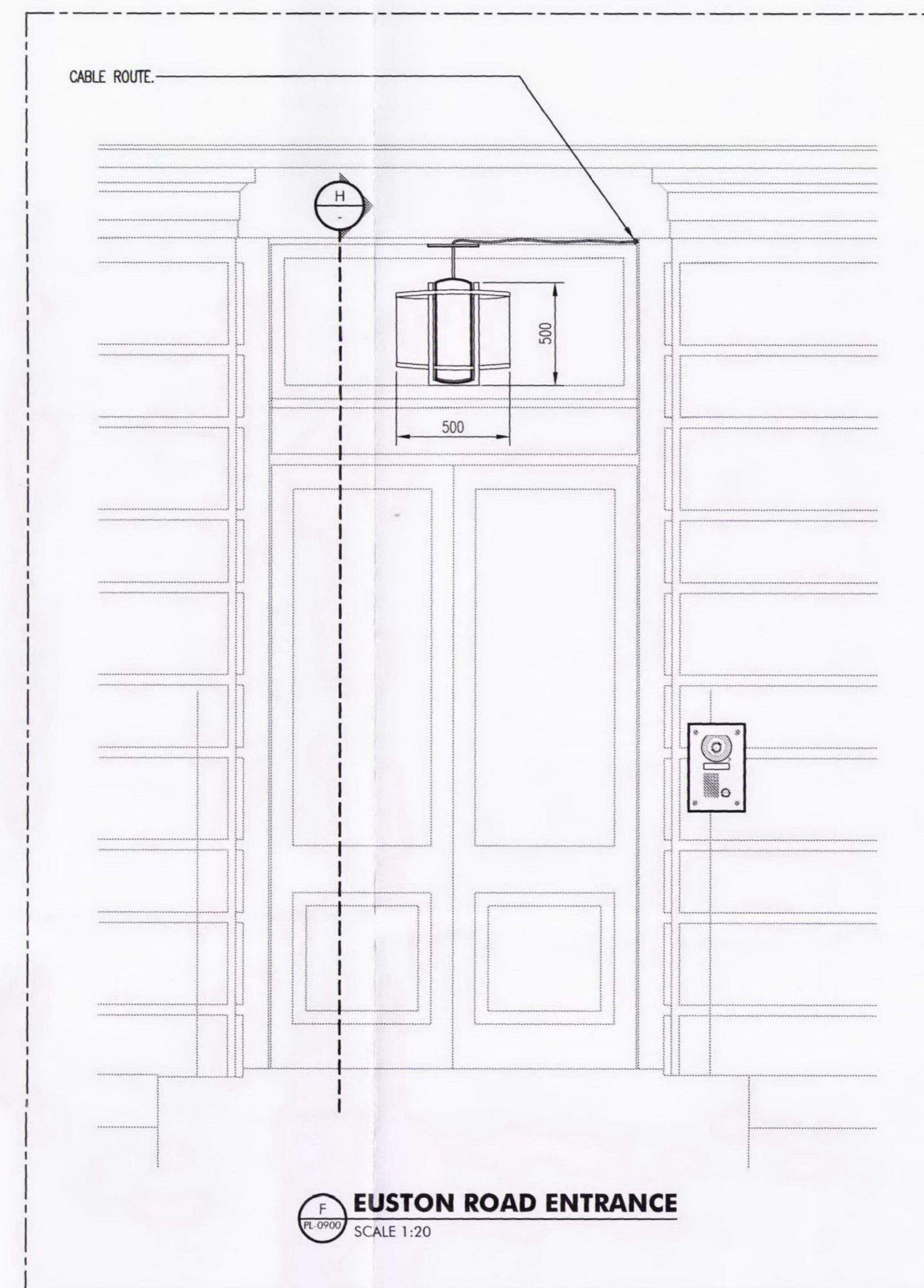
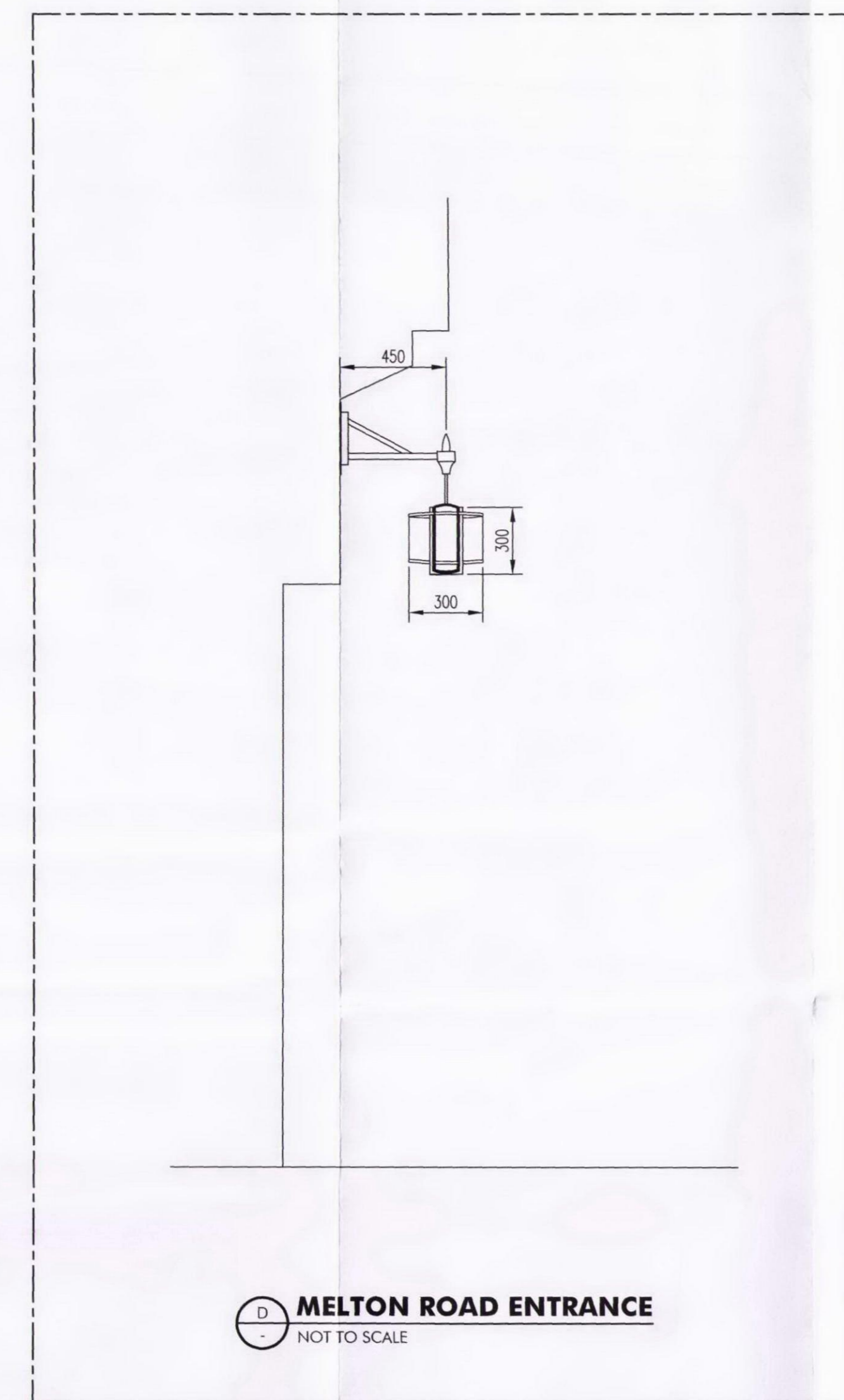
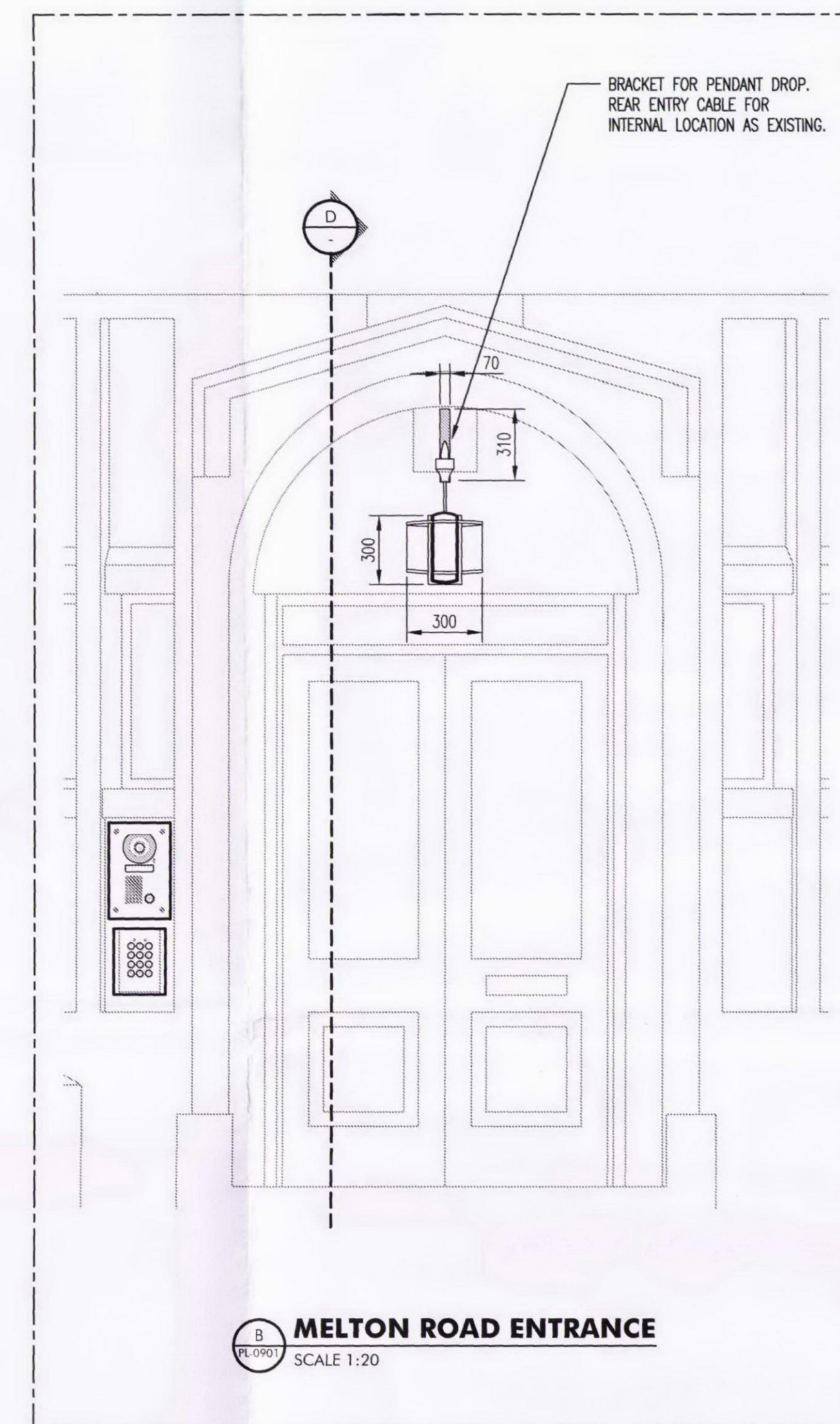
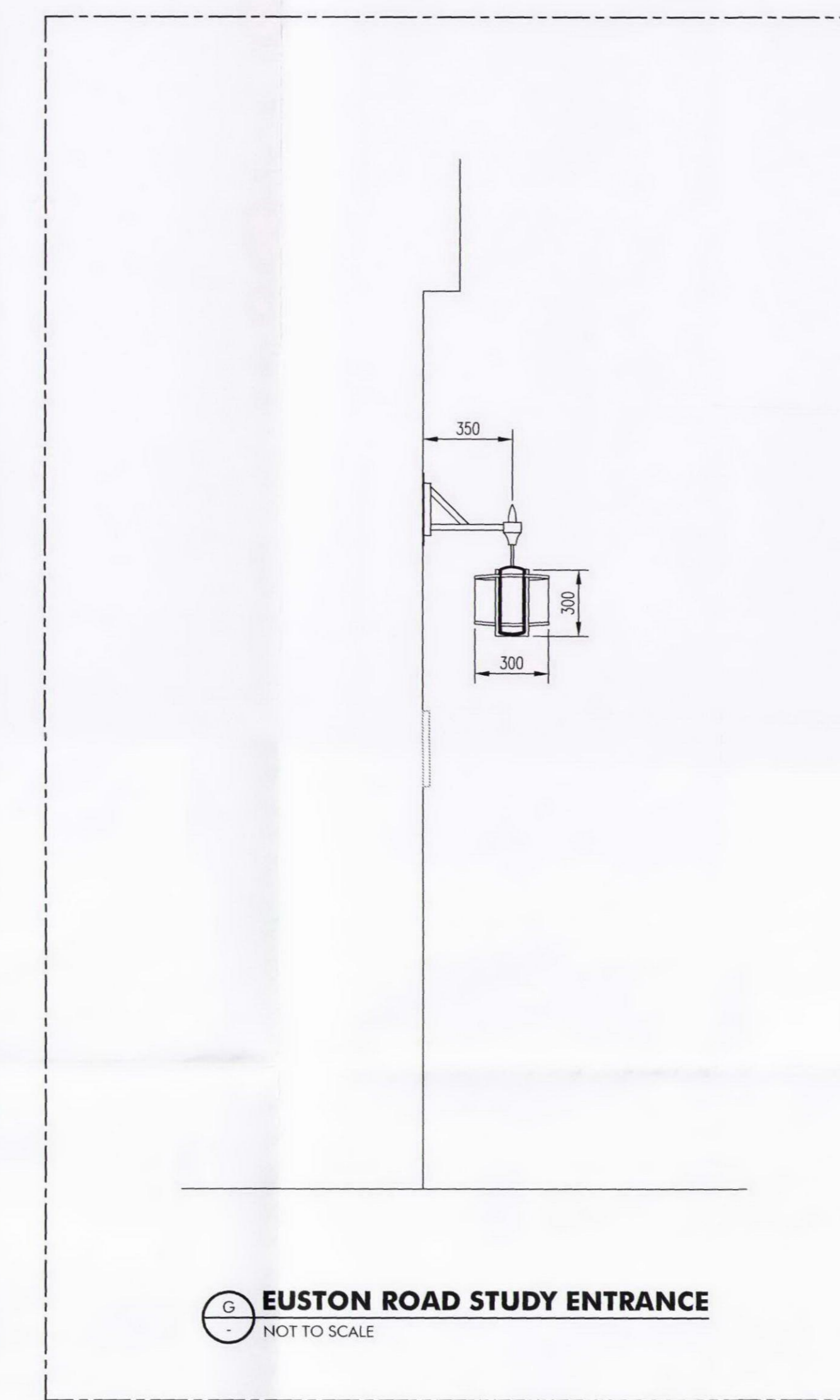
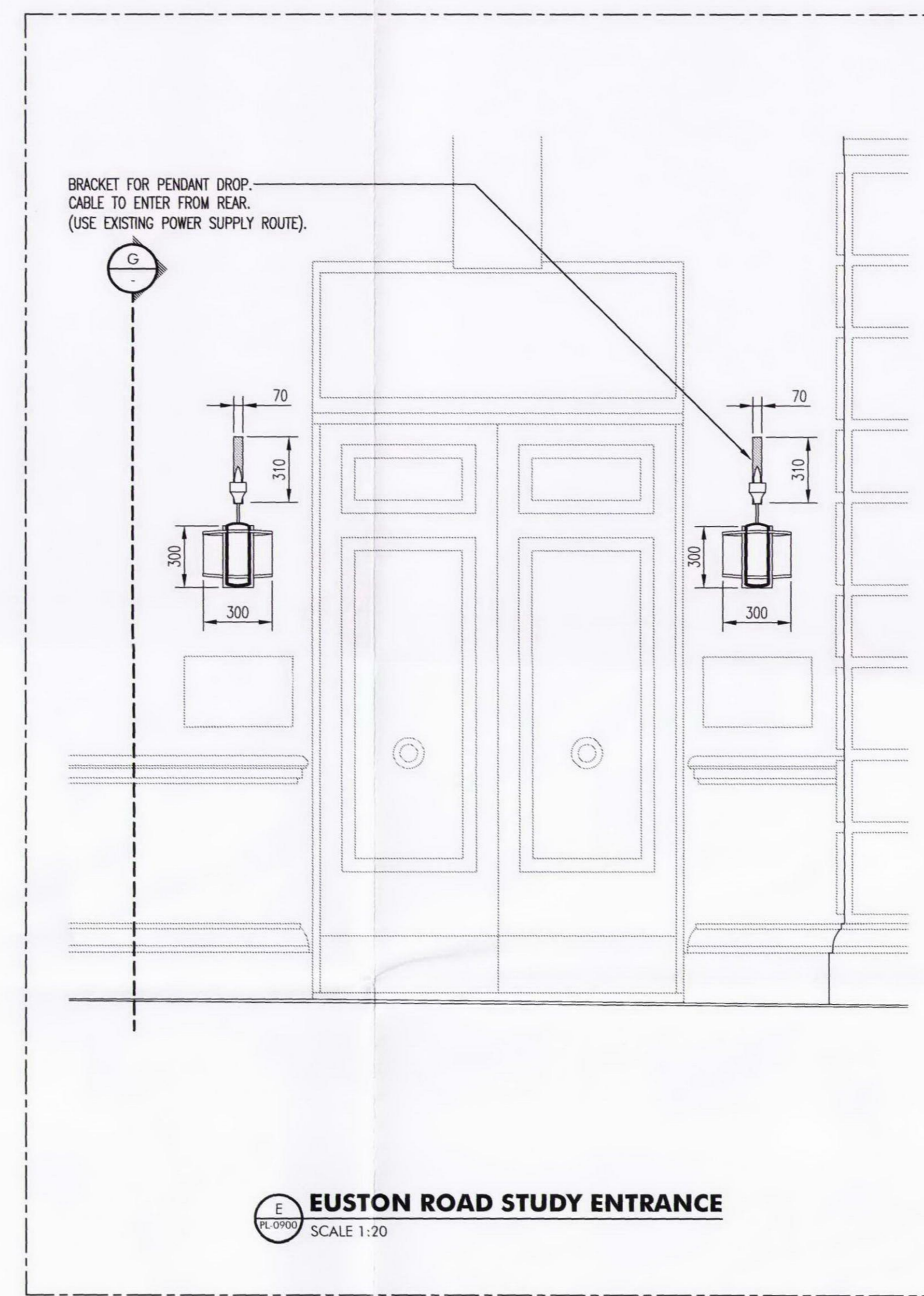
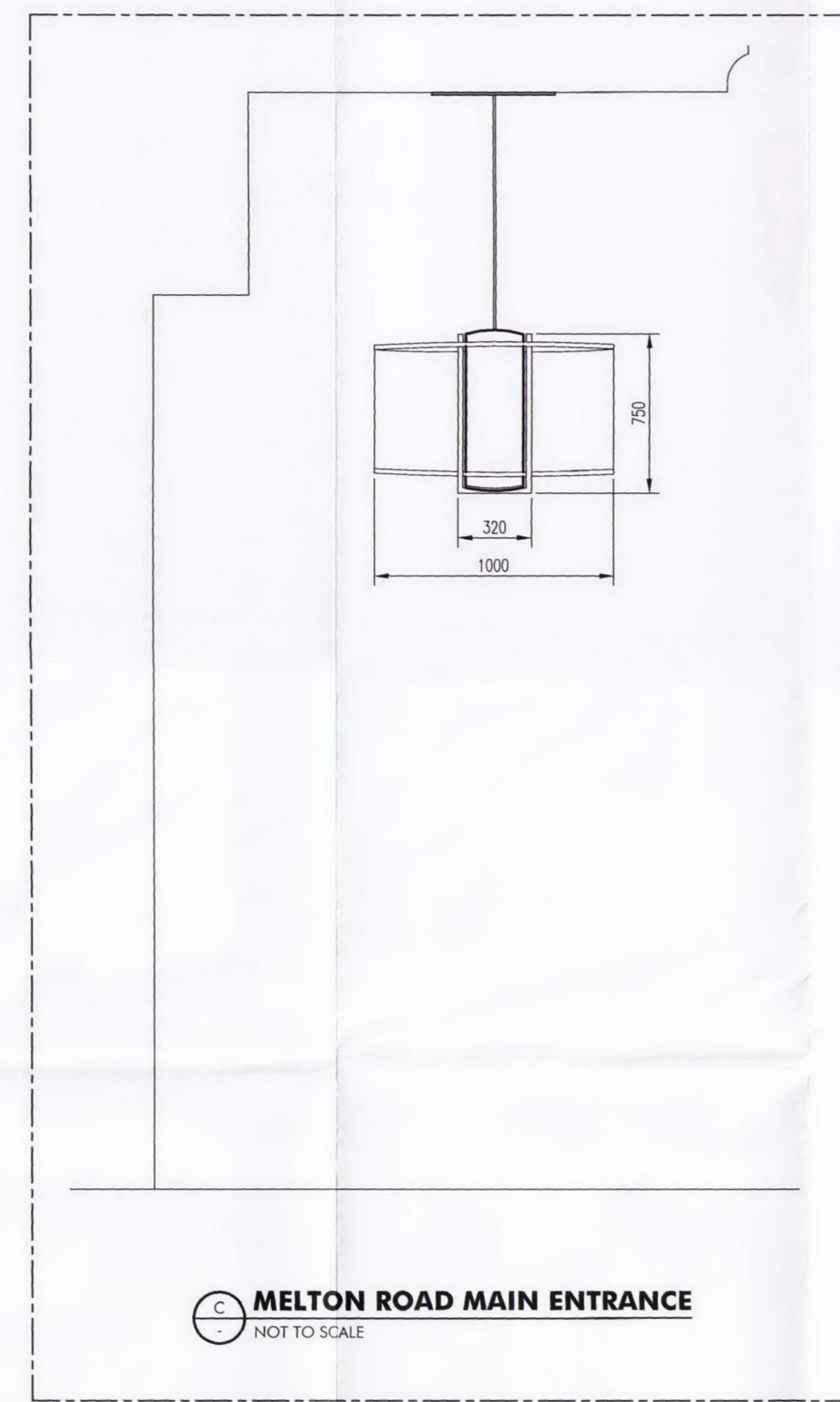
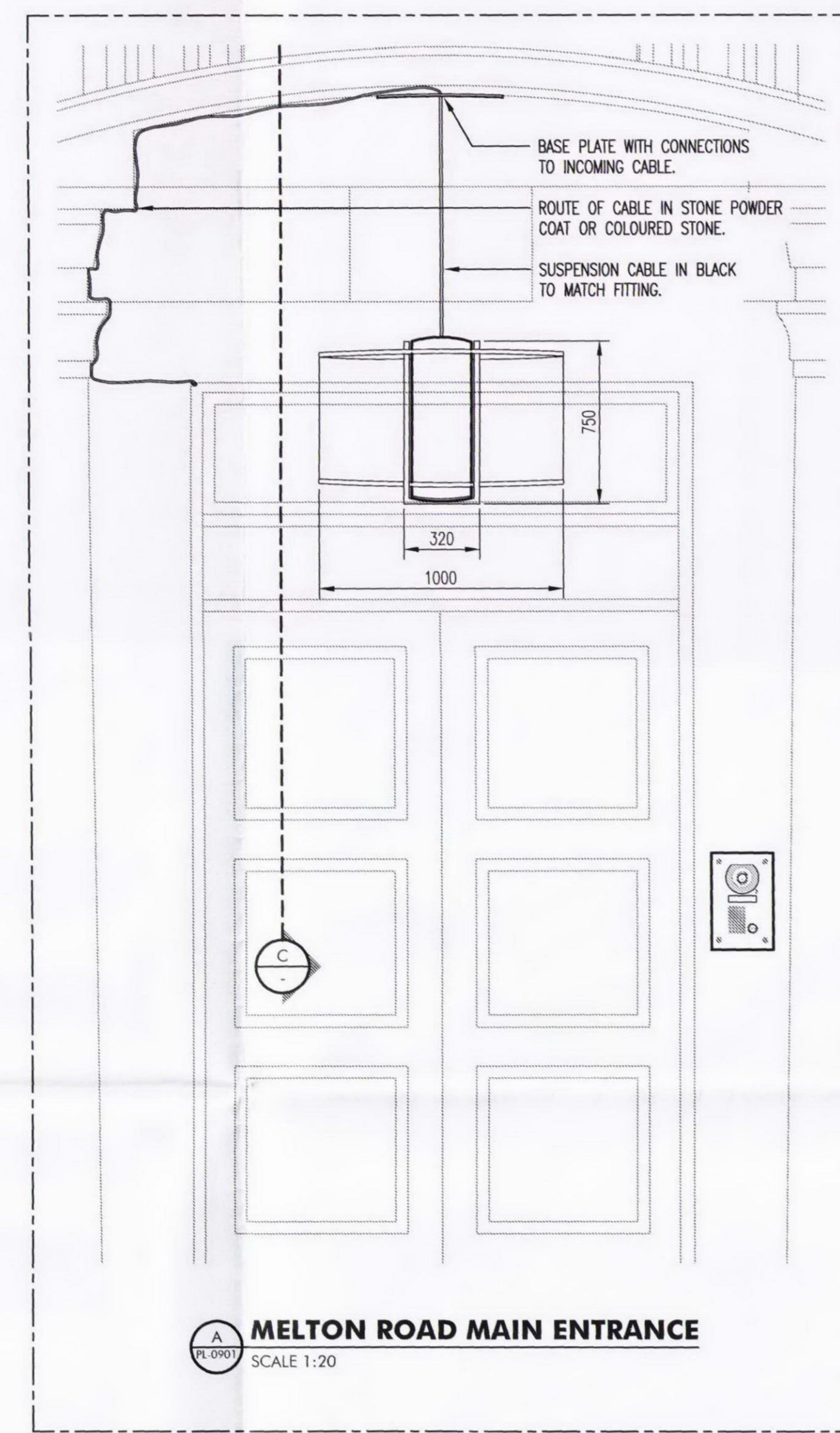
© Medland Metropolis 2010
 This drawing & its design content remain the property of Medland Metropolis and may not be reproduced whole or in part without the express permission of Medland Metropolis. Drawing not to be scaled. Relevant contractor to confirm all dimensions, seating services & conditions on site.

1. 316. 3465 PROJECT ENGINEER. SIGN OFF TO CONFIRM ALL QUALITY ASSURANCE PROCEDURES ARE COMPLETE.

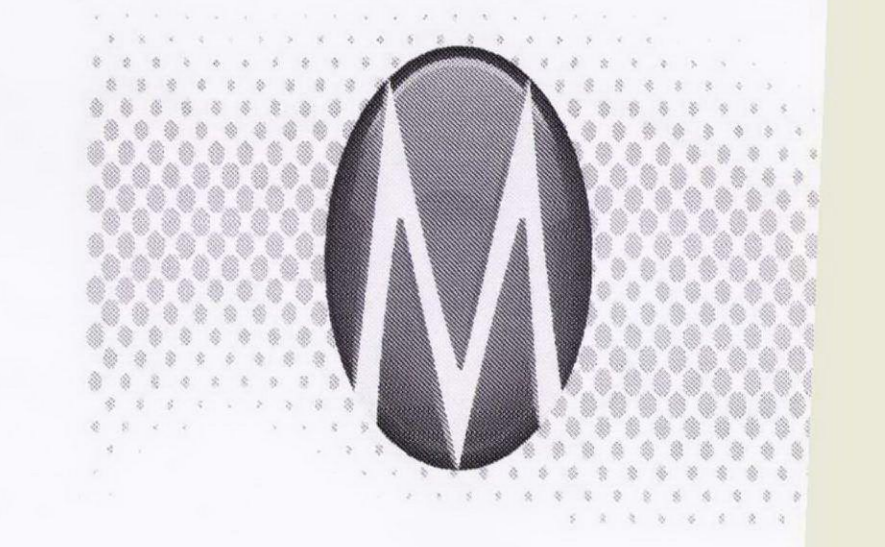
FOR LEGEND REFER TO DRAWING E-0000

ISSUE	ISSUE DETAILS	DATE	CHKD
A	DRAFT ISSUE	10-06-11	NJ
B	ISSUED FOR PLANNING	16-06-11	NJ

FOR PLANNING



MEDLAND METROPOLIS
 200 St John Street London EC1V 4RN
 08435 060 300 08435 060 300
 www.medlandmetropolis.com



RCGP
 30 EUSTON SQUARE

ELECTRICAL SERVICES
 PLANNING APPLICATION
 EUSTON ROAD
 DETAILS & SECTIONS

DESIGNED: RW
 DRAWN: MV
 SCALE: AS SHOWN AT A3
 DATE: JUNE 2011

DRAWING No: **L10835-PL-05**