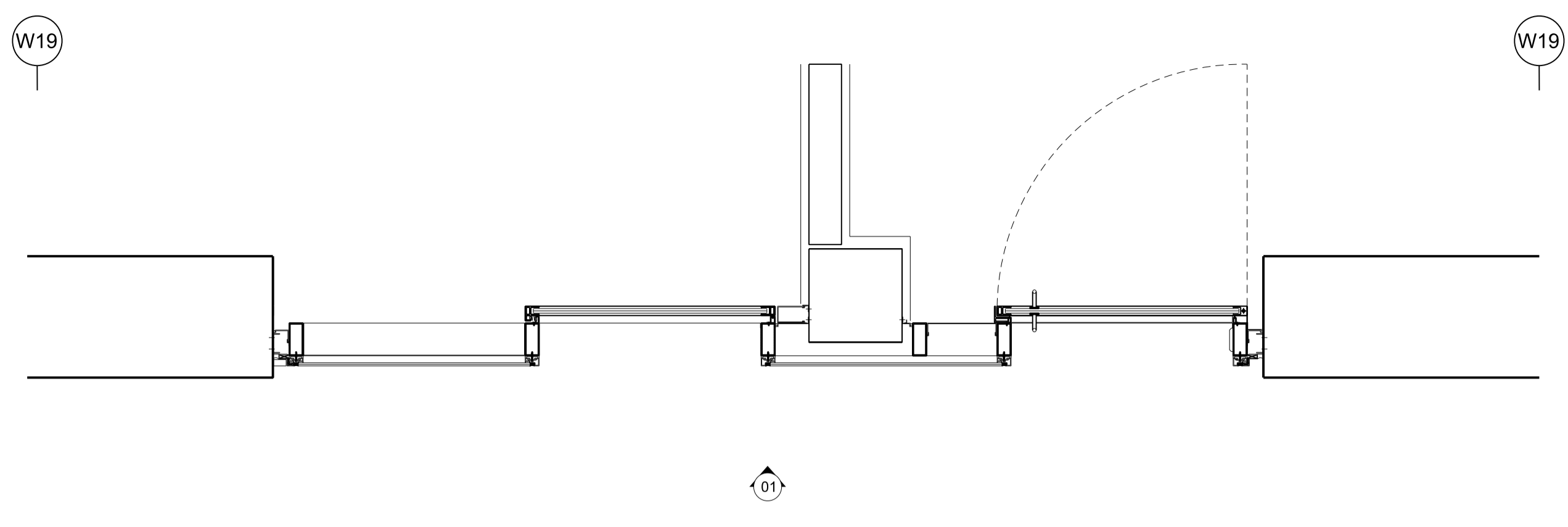


A1
1
2
3
4
5
6
7
8
9
10
11

A B C D E F G H I J K L M N



01 | G16a/D1n - External Elevation

Door No	Room	Gridline	Material & Finish	Overpanel	Structural Opening	Leaf Height	Door Handing	Opening Force	Signage	Fire Requirements	Manifestation	Ironmongery	Access Control
G16a/D1n	G/23a	W21/22	PPC Alu/Glass	yes	As existing	3000	SD and AC	Hinged door: Automated door with push button and overhead door opener Sliding door: Door opening motor and volumetric sensor	none	none	at 1000mm AFFL at 1600mm AFFL	For hinged door: Hinges by door manufacturer Concealed overhead door closer and door opener with hold-open option Full height pull handles Lock with internal thumbturn For sliding door: Manual dead lock	For hinged door: Automated dor push button For sliding door: Volumetric sensor Door opening motor

01	14.07.11	JMP		
Issue	Date	By	Chkd	Appd

John McAslan + Partners
 49 Princes Place London W11 4QA
 Tel : +44 (0)20 7227 2663
 Fax : +44 (0)20 7221 8835
 www.mcaslan.co.uk



Client
**King's Cross Station
 Redevelopment Programme
 Package 6**

Drawing Title
**Western Range Building
 External Doors
 Sheet 7/7
 G23a/D1n and G32/D1e**

Scale at A1: **1:20**
 CCMS No:
 Drawing Status:

For Construction	
JMP Job No 1365	Drawing No ENG-SKE-JMP-WRB-CAZ-2202
Rev. 01	