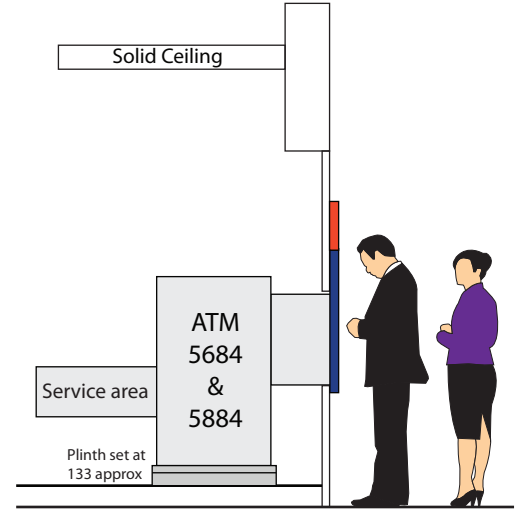




- ATM Detail**
- 1 Illuminated sign advertising cash in Red and white
 - 2 Ambient lighting around ATM to be at least 200 lux
 - 3 Backlit screen
 - 4 ATM keypad 'Key 5' Height 900mm (approx...)
 - 5 Ticket dispenser height 1100mm (approx...)



Proposed ATM Section
Scale 1:50

- NOTES:**
- Spur at high level for alarm.
 - 100mm step into store.
 - Basement - use Akro already on site with plate under joists
 - Counter Relocated by owner
 - Cut down worktop & remove part of cupboard
 - Cut back shelf and cupboard and fix return

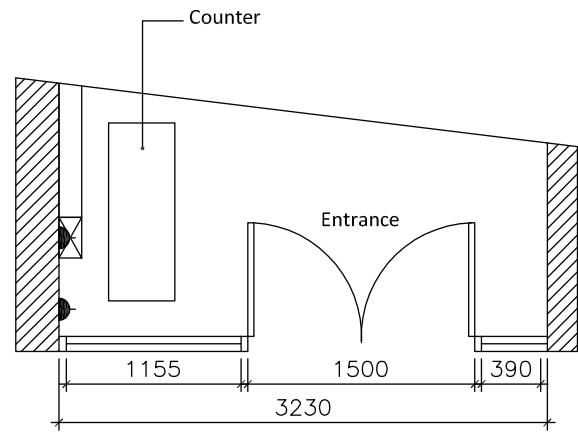
Drawing Title: Camden Computers

Scale: 1:50 @ A3

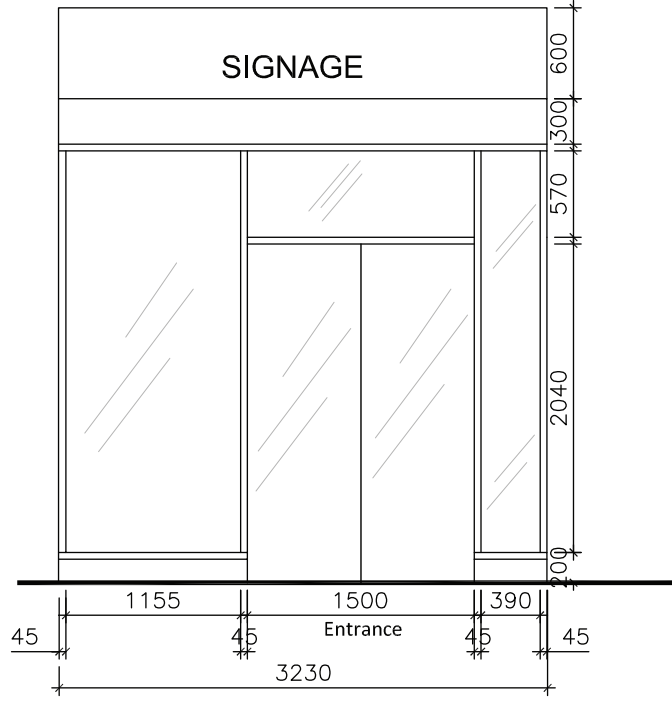
ATM Retail Ref: JR10235

Site:
50 Chalk Farm Road
Camden, London
NW1 8AN

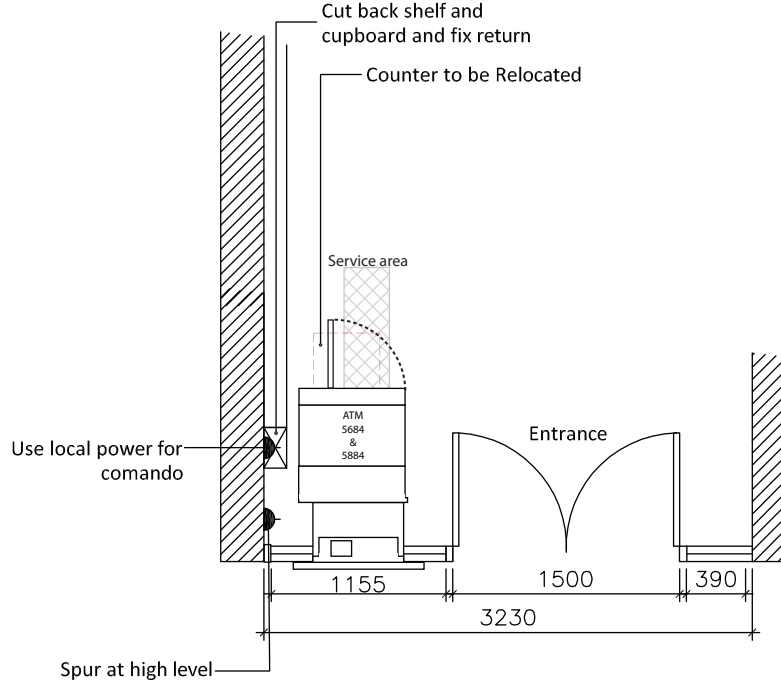
ATM Retail Ltd
Unit 18 Sussex Barn
Loseley Park, Guildford, Surrey, GU3 1HS
Tel: 01483 531345
Fax: 01483 440831
Email: info@atmretail.co.uk
www.atmretail.co.uk



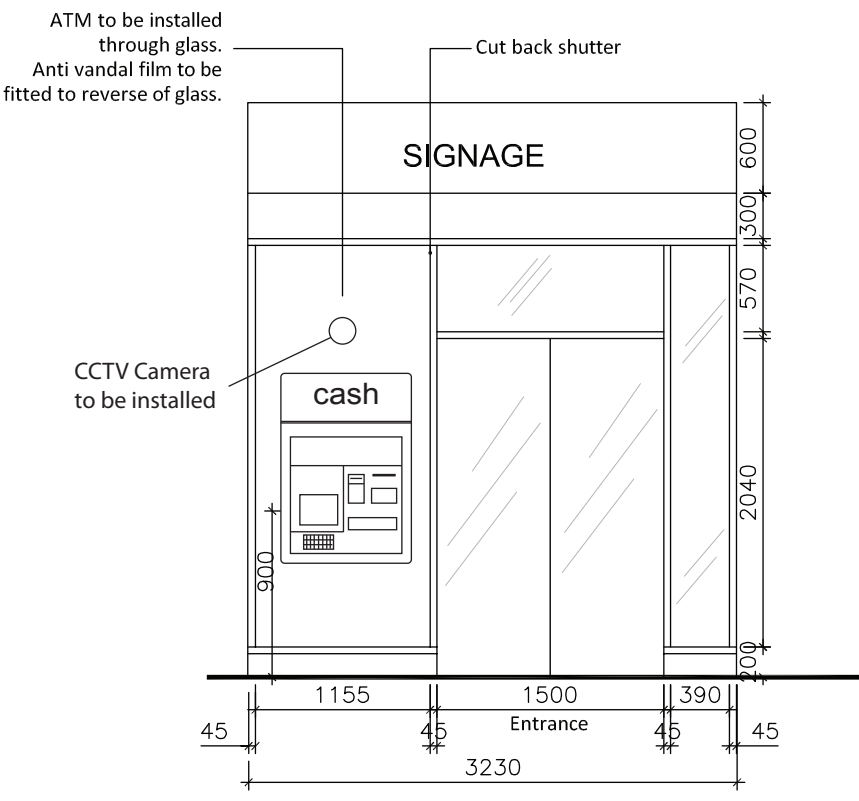
01: Existing Part Ground Floor Plan
1:50



03: Existing Part Elevation
1:50



02: Proposed Part Ground Floor Plan
1:50



04: Proposed Part Elevation
1:50



Scale correct when drawing is plotted at A3