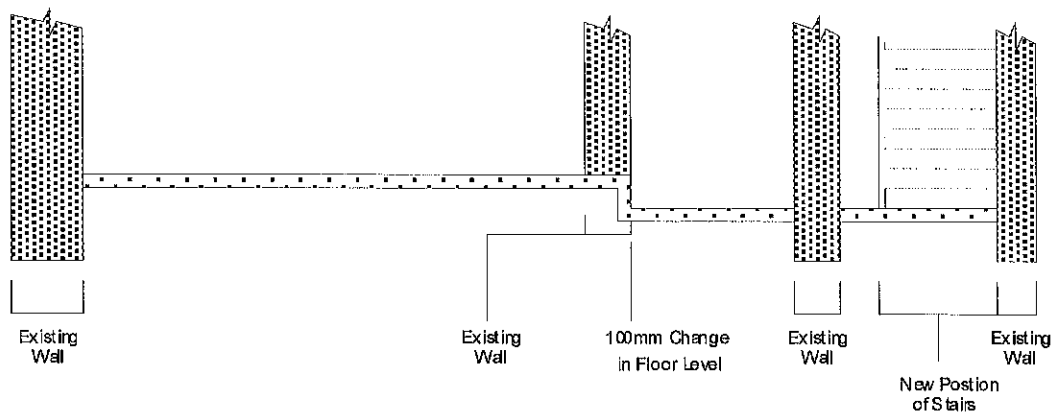
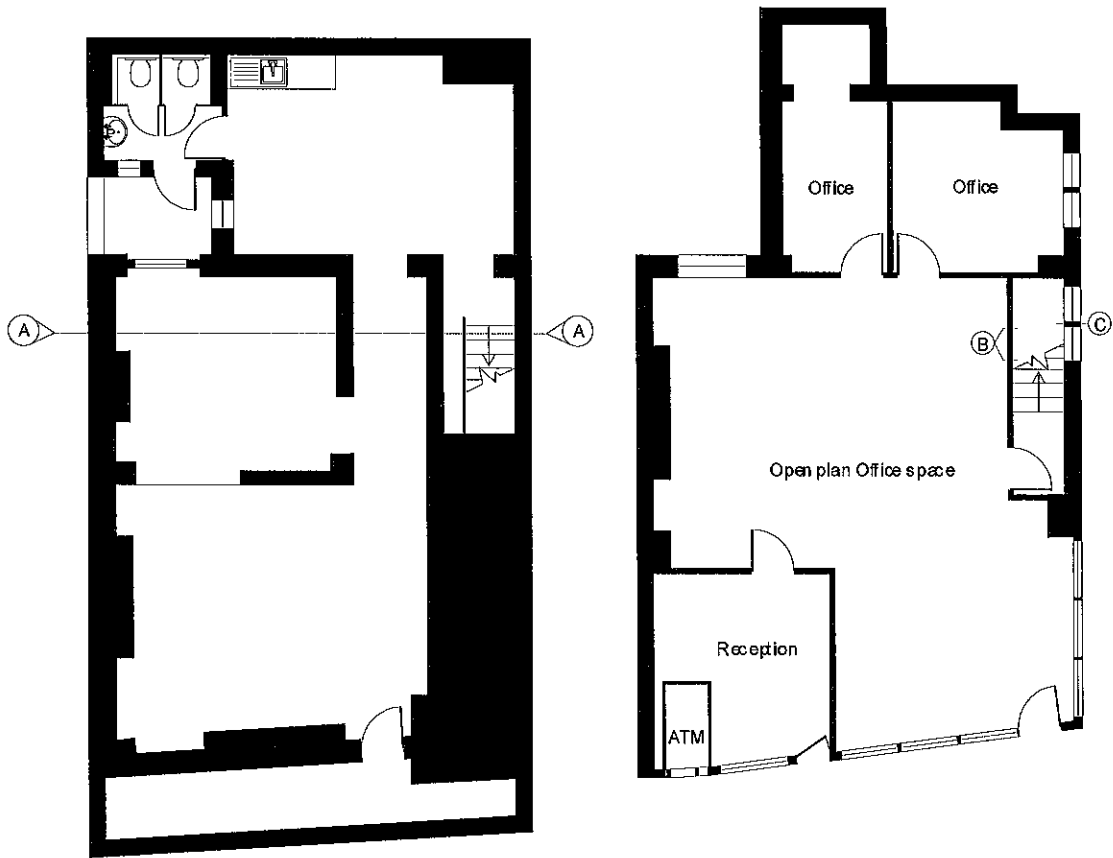
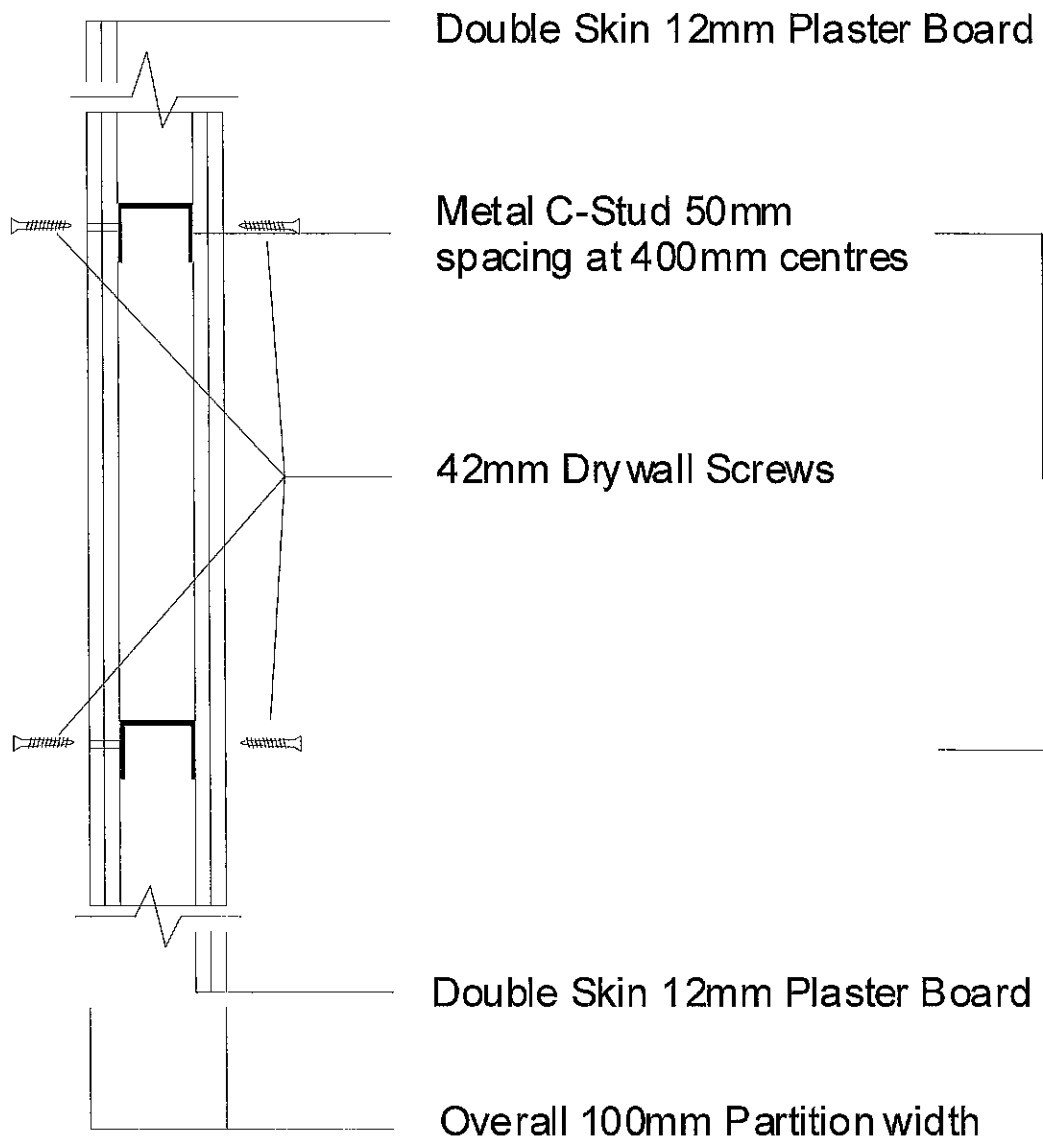


# Cross Section Details as requested



SECTION A-A

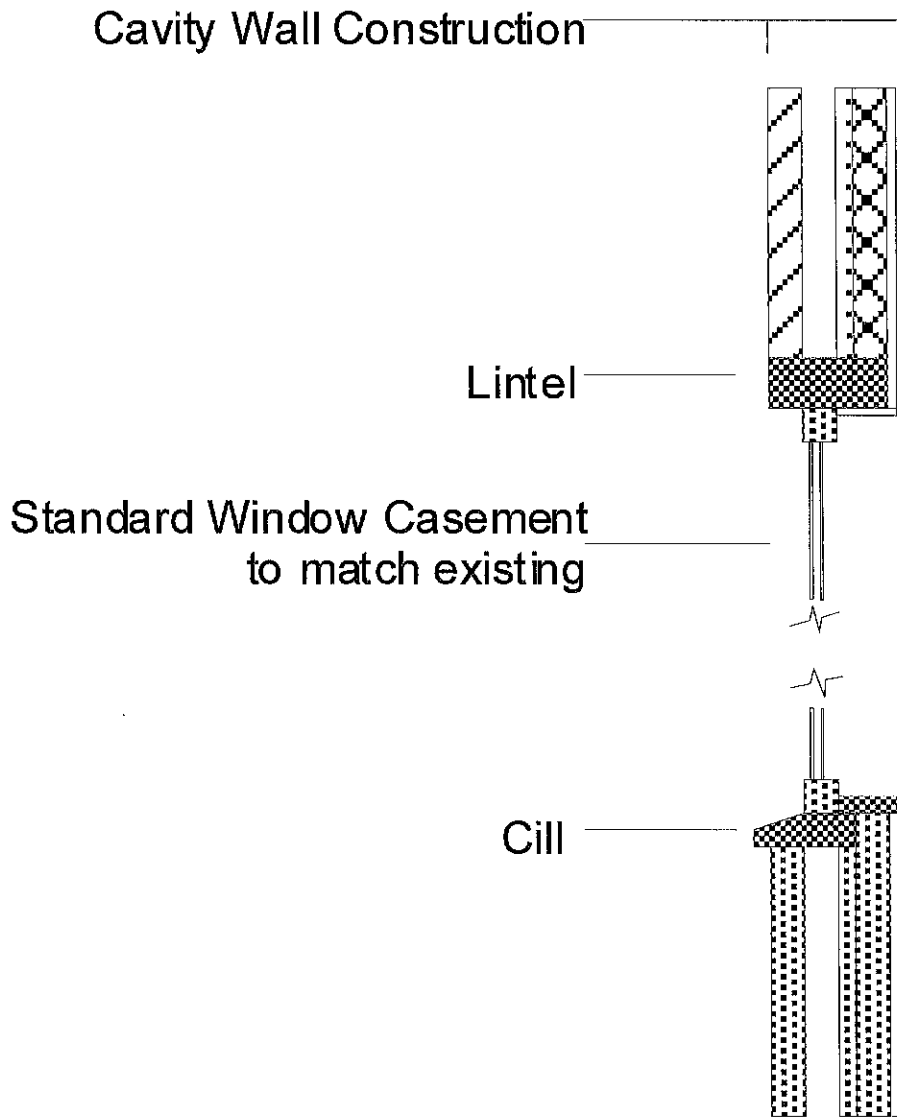
# 1 HR FIRE PROTECTION METAL STUD WALL



## DETAIL B

Do Not Scale from Drawing  
Drawing for illustrative purpose only  
Detail to be confirmed by Contractor

# WINDOW REVEAL DETAIL



## DETAIL C

Do Not Scale from Drawing  
Drawing for illustrative purpose only  
Detail to be confirmed by Contractor