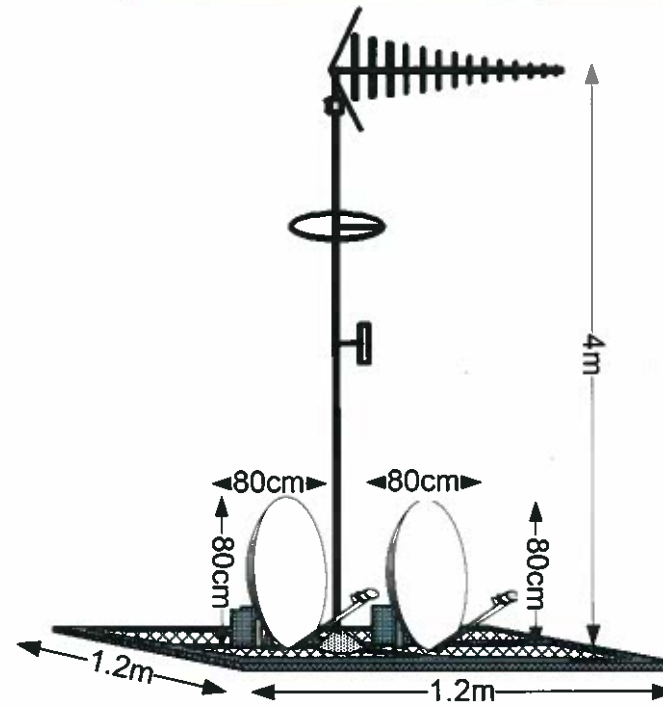


09. Antenna and Dishes Measurements

Digital TV,
FM & DAB Radio
Aerials

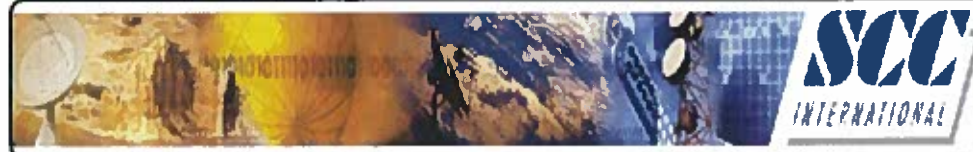
Proposed location of UHF Aerial on a 4m
pole and 80cm dishes mounted on
300cm Stands on a non-perm mount.



Form No. SCC 013 SCC International - 1 Fieldings Road, Cheshunt, Herts, EN8 9TL. Tel: 01992 642255. Website: www.scc.co.uk

Please consider the environment before printing this document - Recycle Wherever Possible

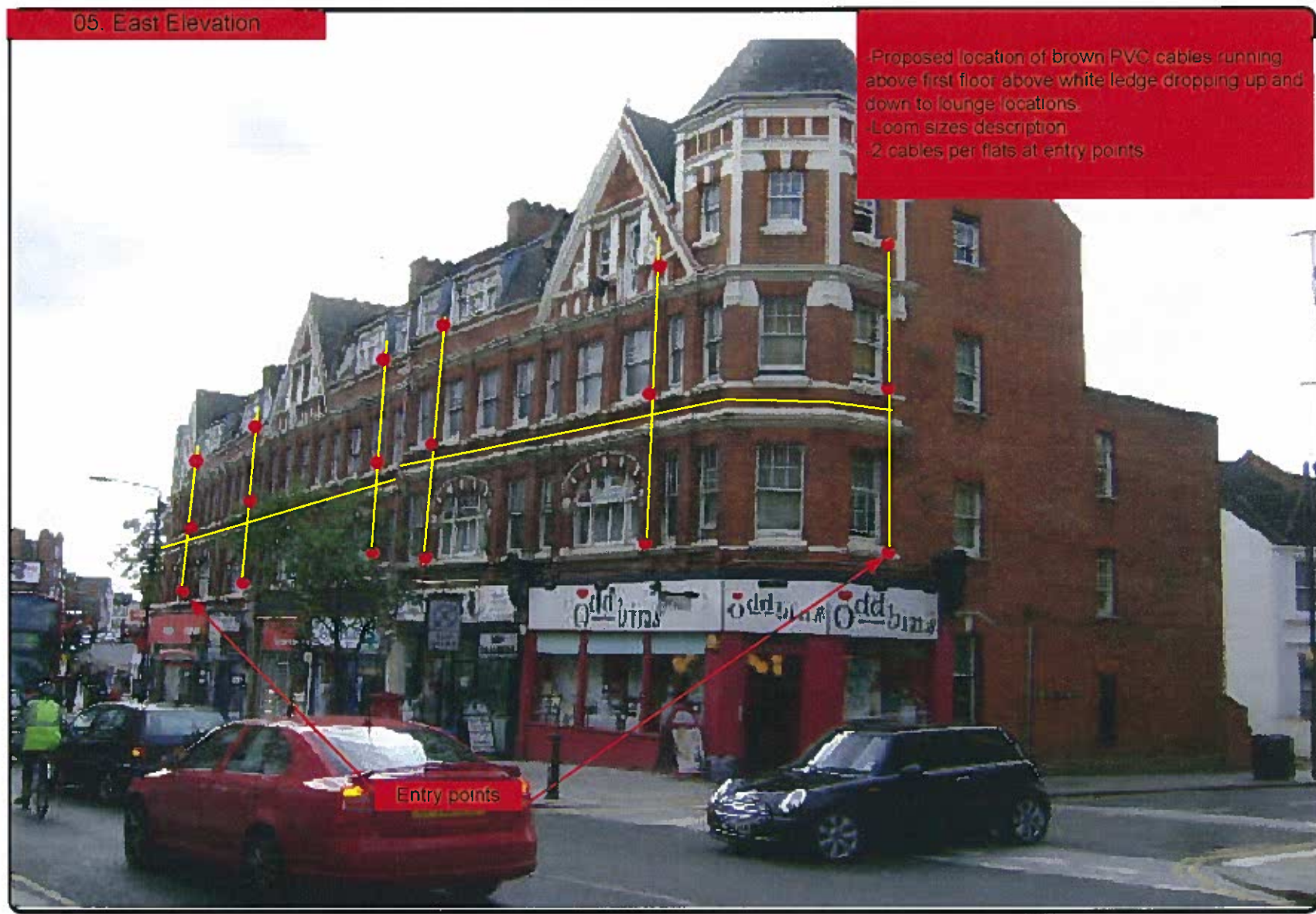
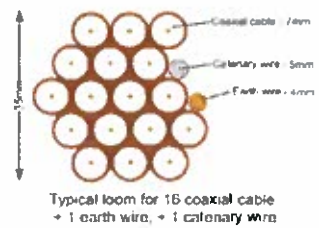
Drawing No.	E22008/08A	Site Address:	217-229 West End Lane, Camden, London, NW6 1XJ		
Date:	13 th Oct 11	Site Ref:	LBC 0353.0	Surveyed By:	Danny Varleigh
Number of Points:	21	System Type:	9Wire IRS Sky Plus	Drawn By:	James Schroder



Each property will have two cables to lounge position.

Cable Harness sizes

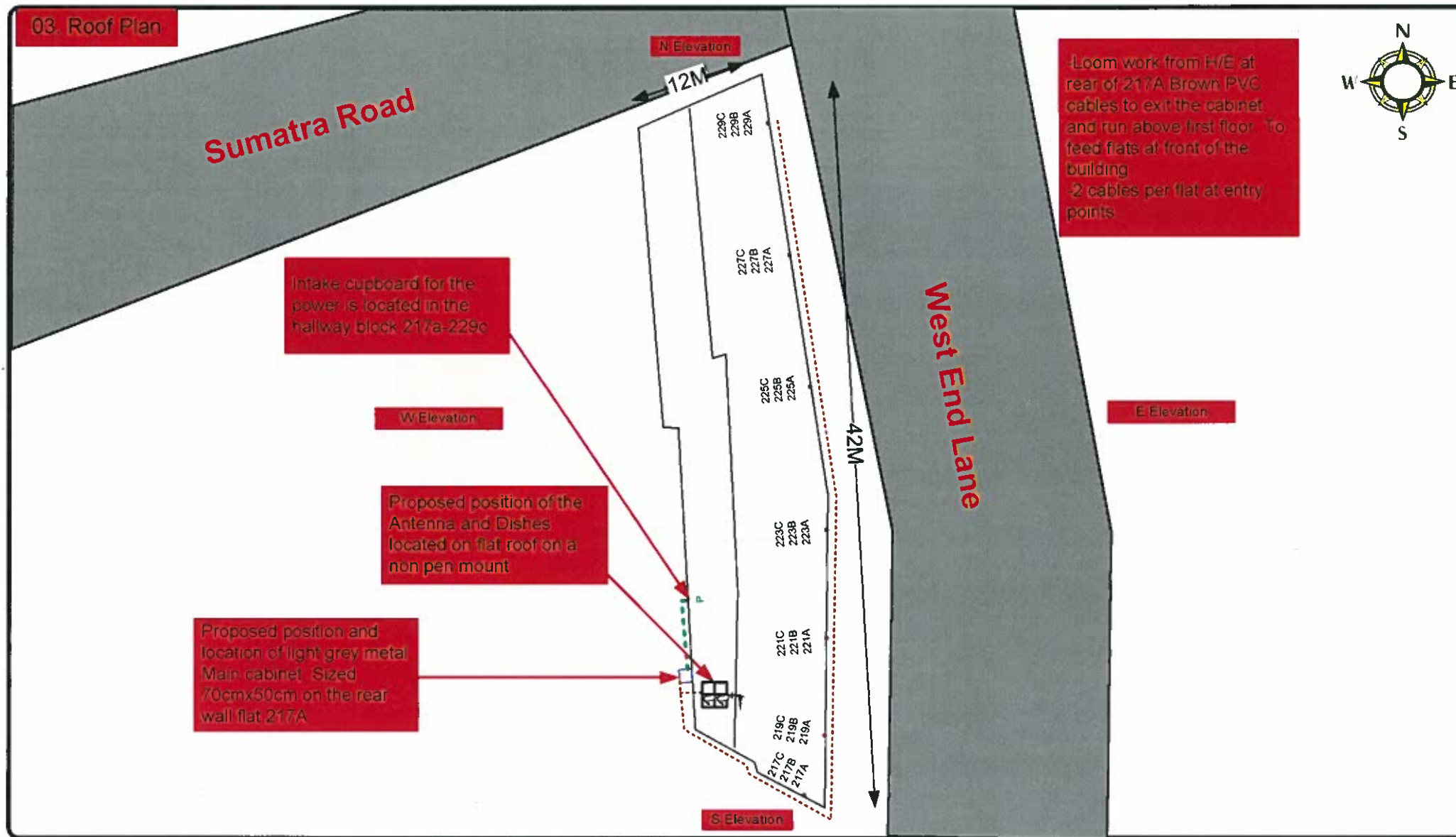
- 2-4 cables = 15mm
- 6-8 cables = 20mm
- 10-14 cables = 30mm
- 16-18 Cables = 35mm
- 20 cables = 40mm
- 40 cables = 65mm
- 60 cables = 90mm



05. East Elevation

Proposed location of brown PVC cables running above first floor above white ledge dropping up and down to lounge locations.
Loom sizes description
2 cables per flats at entry points

Form No. SCC 013 SCCInternational - 1 Fieldings Road, Cheshunt, Herts, EN8 9TL. Tel: 01992 642255. Website: www.scci.co.uk						Please consider the environment before printing this document - Recycle Wherever Possible					
Drawing No.	E22008/05*	Site Address:	217-229 West End Lane, Camden, London, NW6 1XJ								
Date:	13 th Oct 11	Site Ref:	LBC 0353.0	Surveyed By:	Danny Varleigh						
Number of Points:	21	System Type	9Wire IRS Sky Plus	Drawn By:	James Schroder						



Form No. SCC 013 SCC International – 1 Fieldings Road, Cheshunt, Herts, EN8 9TL. Tel: 01992 642255. Website: www.scci.co.uk

Please consider the environment before printing this document – Recycle Wherever Possible

Drawing No.	E22008/03 A	Site Address:	217-229 West End Lane, Camden, London, NW6 1XJ		
Date:	13 th Oct 11	Site Ref:	LBC 0353.0	Surveyed By:	Danny Varleigh
Number of Points:	21	System Type:	9Wire IRS Sky Plus	Drawn By:	James Schroder

Each property will have two cables to lounge position.

Cable Harness sizes

2-4 cables = 15mm

6-8 cables = 20mm

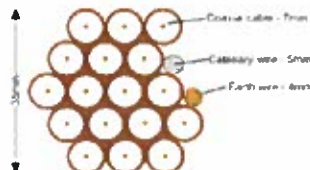
10-14 cables = 30mm

16-18 Cables = 35mm

20 cables = 40mm

40 cables = 65mm

60 cables = 90mm



Typical loom for 16 coaxial cables
+ 1 earth wire, + 1 catenary wire

08. Existing Equipments

West Elevation



Form No. SCC 013 SCC International - 1 Fieldings Road, Cheshunt, Herts, EN8 9TL . Tel: 01992 642255. Website: www.scc.co.uk

Please consider the environment before printing this document - Recycle Wherever Possible

Drawing No.	E22008/07	Site Address:	217-229 West End Lane, Camden, London, NW6 1XJ		
Date:	13 th Oct 11	Site Ref:	LBC 0353.0	Surveyed By:	Danny Varleigh
Number of Points:	21	System Type:	9Wire IRS Sky Plus	Drawn By:	James Schroder



COPY

2011/5345/P