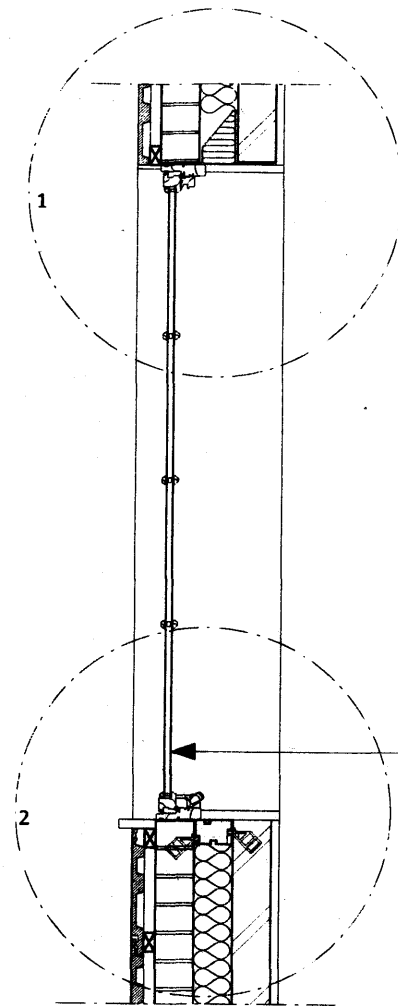
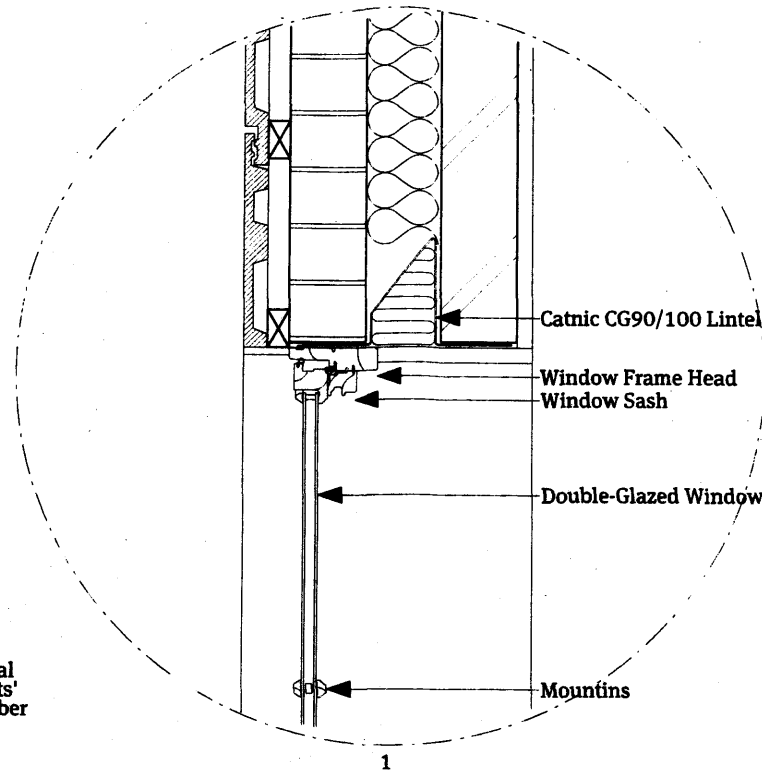


Typical Window



Marvin Architectural
'Ultimate Casements'
Double Glazed Timber
Casement Window



Double-Glazed Window Pane

Catnic CG90/100 Lintel

Window Frame Head
Window Sash

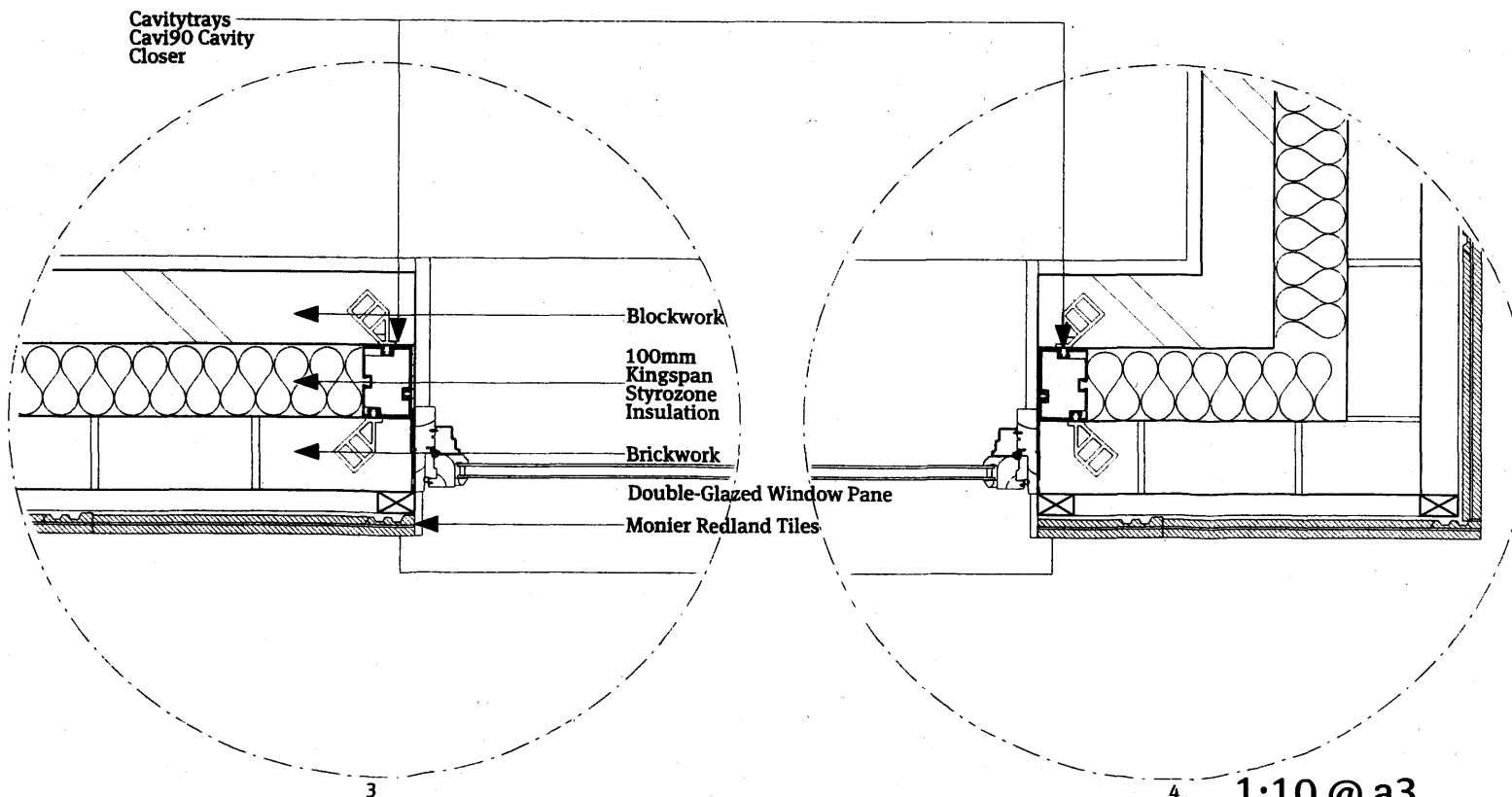
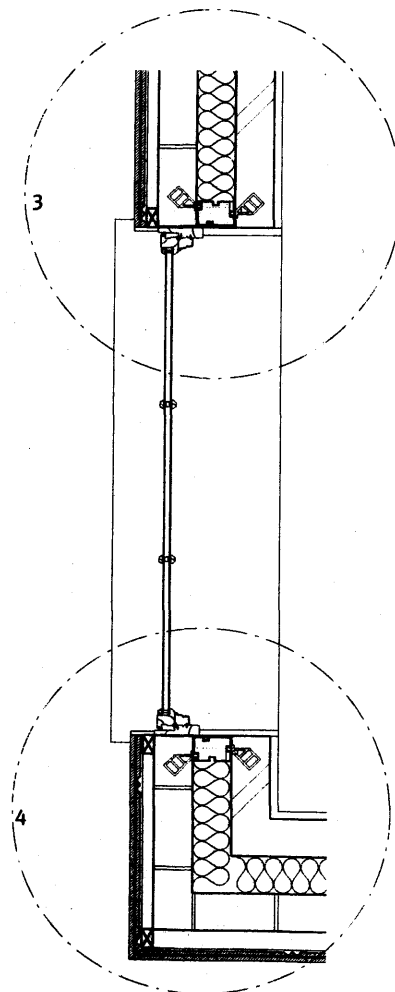
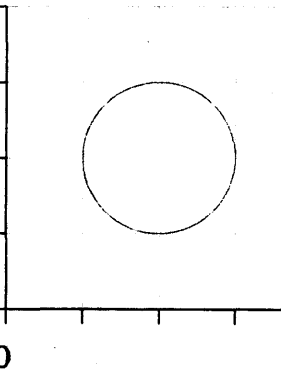
Double-Glazed Window Pane

Mounfins

Window Sill
Cavitytrays
Cavi90 Cavity
Closer

1:20 @ a3
Vertical Section

1:10 @ a3
Vertical Section



Cavitytrays
Cavi90 Cavity
Closer

Blockwork

100mm
Kingspan
Styrozone
Insulation

Brickwork

Double-Glazed Window Pane
Monier Redland Tiles

1:20 @ a3
Horizontal Section

1:10 @ a3
Horizontal Section

Revision

Project title

62 Elsworthy Road,
London NW3 3BU

Drawing title

Casement Window Detail

Client

St James's Real Estate Holdings

Scale

1:20/1:10 @ a3

Date

02/11/11

Drg. no.

1118 30 102

Notes

Do not scale this drawing. All dimensions must be checked and Papa Architects are to be informed of any discrepancies prior to construction. This drawing and any of the details therein remain the copyright of Papa Architects Ltd.

Papa Architects Ltd.
222 Archway Road
Highgate
London N6 5AX

Phone.+44(0)20 8348 8411
Fax.+44 (0)20 8348 7411

www.papaarchitects.co.uk