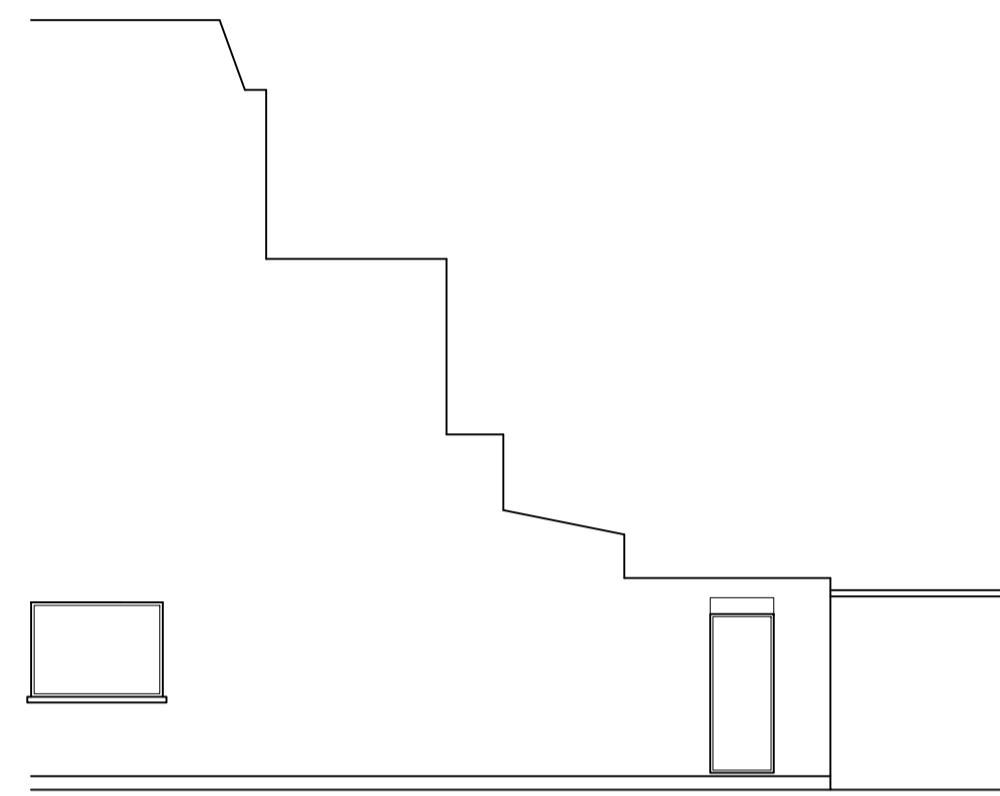


DO NOT SCALE FROM THIS DRAWING. CHECK ALL DIMENSIONS ON SITE.
IF INFORMATION IS NOT CLEAR OR CONSISTANT CONSULT ARCHITECT.
THIS DRAWING IS COPYRIGHT.



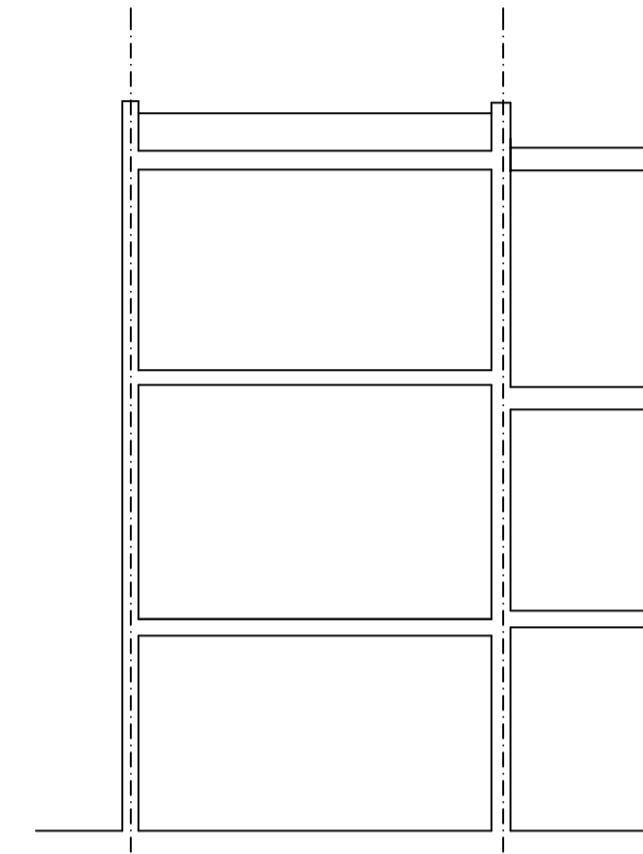
No8. FRONT ELEVATION



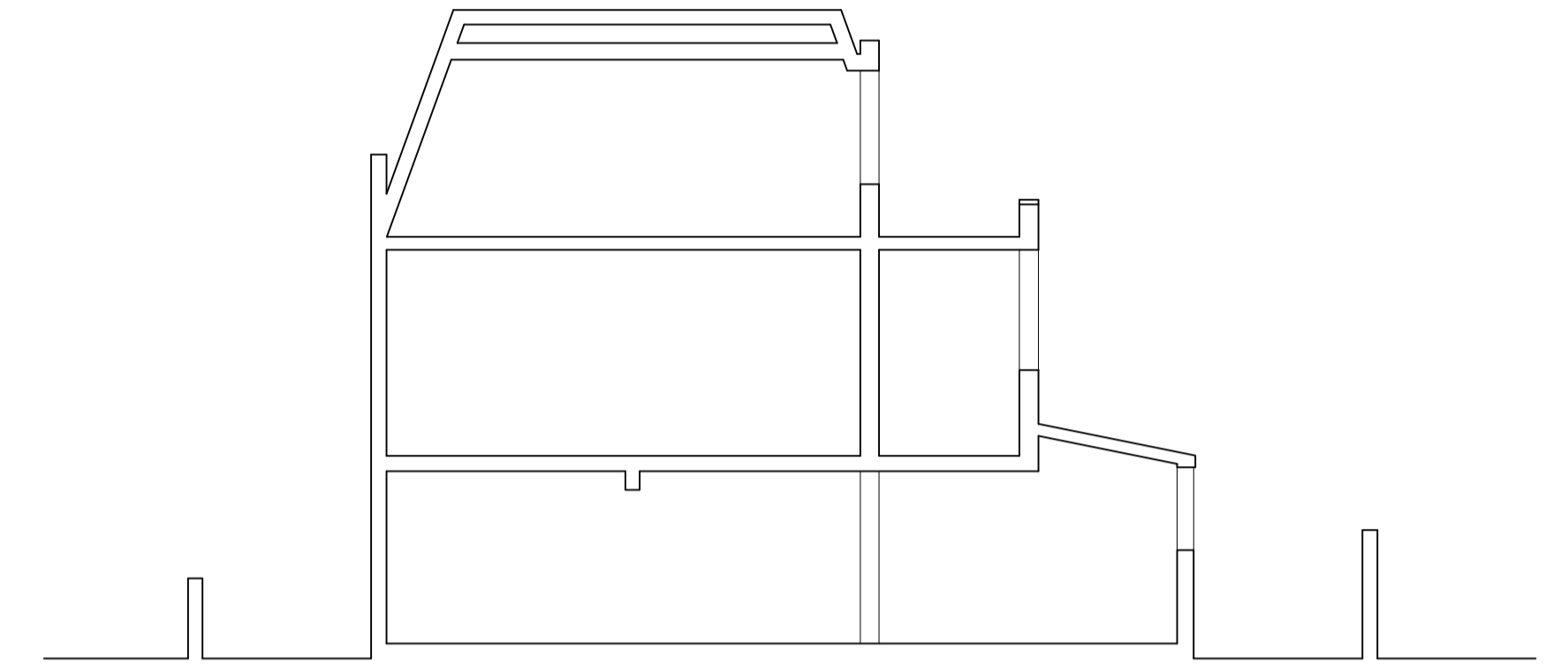
No8. SIDE ELEVATION



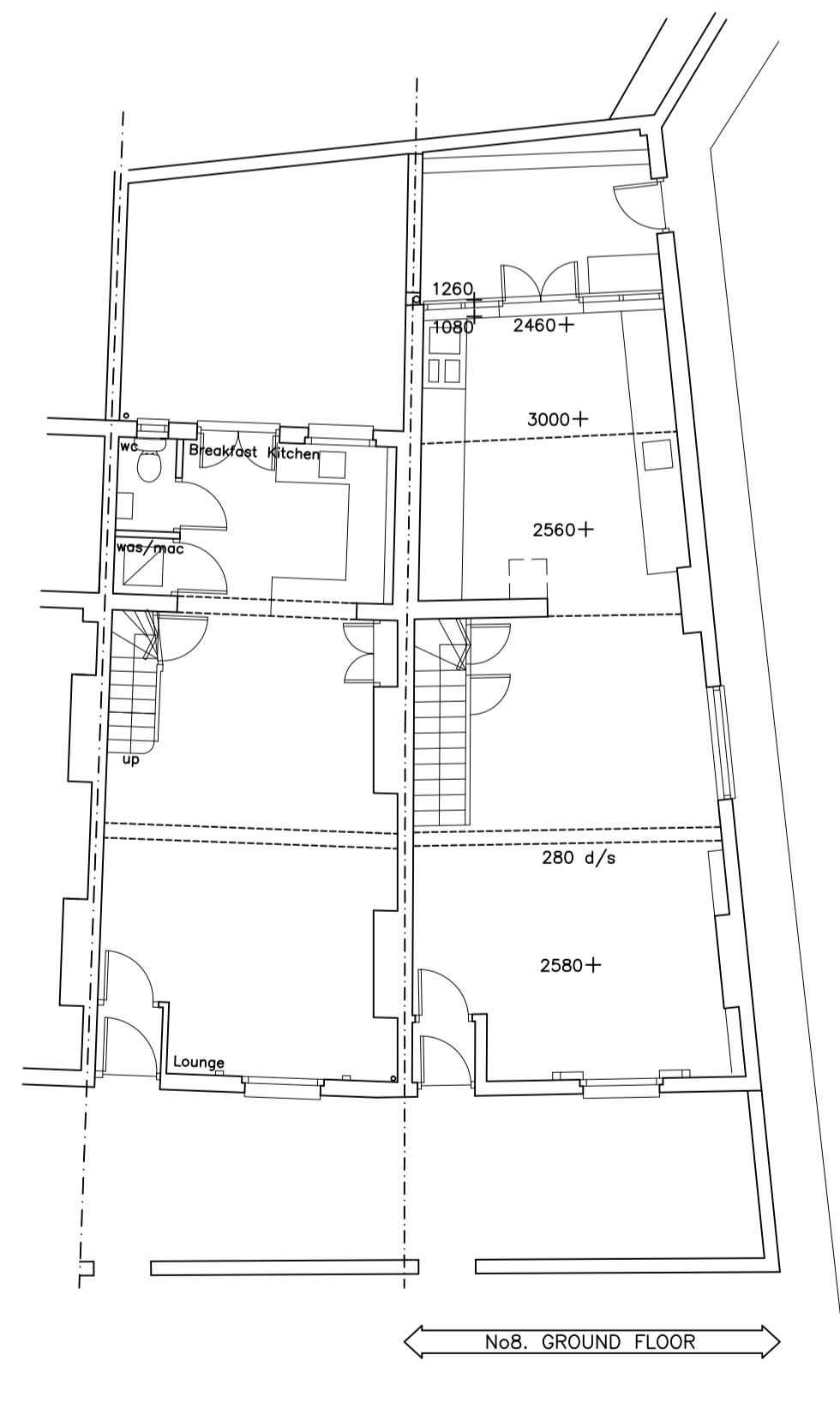
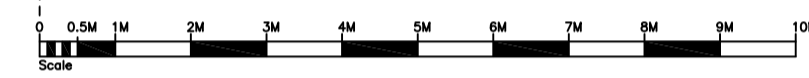
No8. REAR ELEVATION



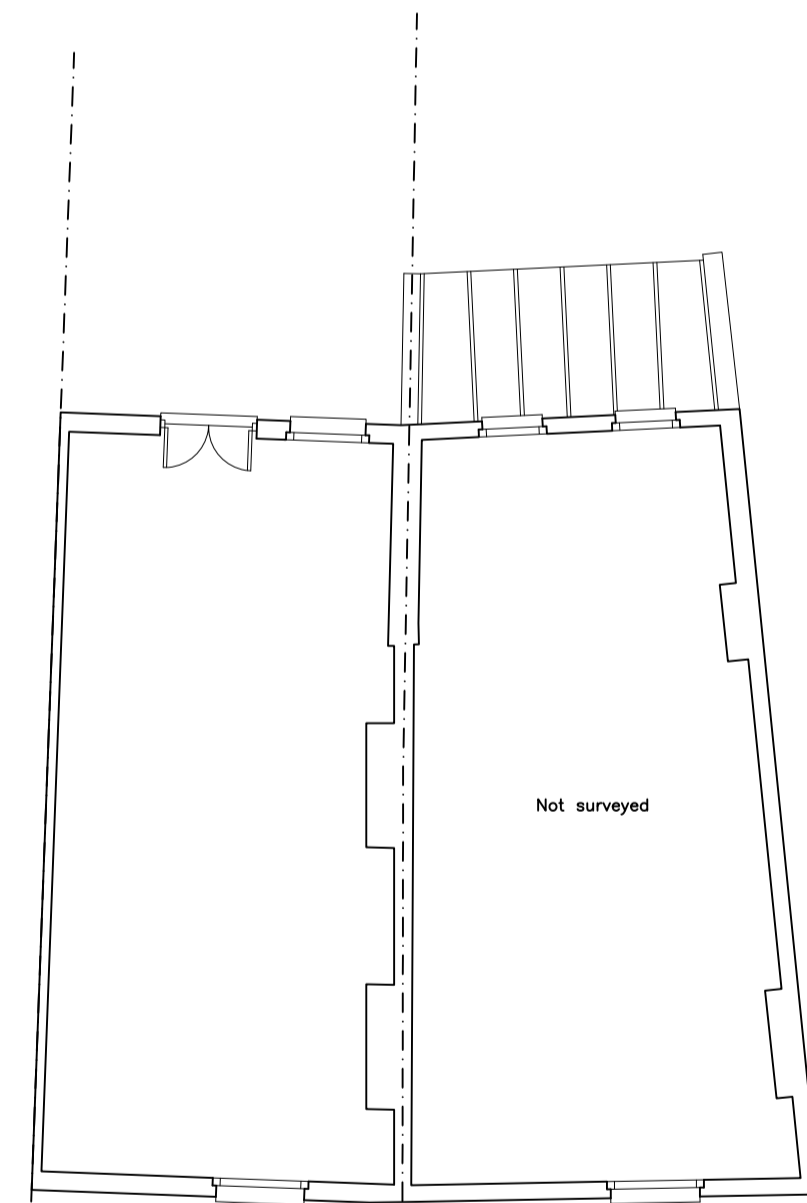
No8. SECTION



No8. SIDE SECTION



No8. GROUND FLOOR



No8. FIRST FLOOR

Client:
-
Project Title:
8 Reeds Place
London
NW1 9NA
Drawing Title:
Existing Plan and Elevations
Drawn: Date: 11.11.2011
Scale: 1:100 @ A1
Dwg.No.: **RP.01.0**
HARTLEYS PROJECTS LTD
PO BOX 43391, LONDON
N5 1SZ 020 73549268