



Geotechnical &
Environmental
Associates

Tythenhanger House
Coursers Road
St Albans
Herts AL4 0PG

Site
15-17 Macklin Street, London, WC2B 5NG

**Trial Pit
Number**
8

Excavation Method
Manual

Dimensions
1200 x 900 x 3100

Ground Level (mOD)

Client
Durley Investment Corporation

**Job
Number**
J11081

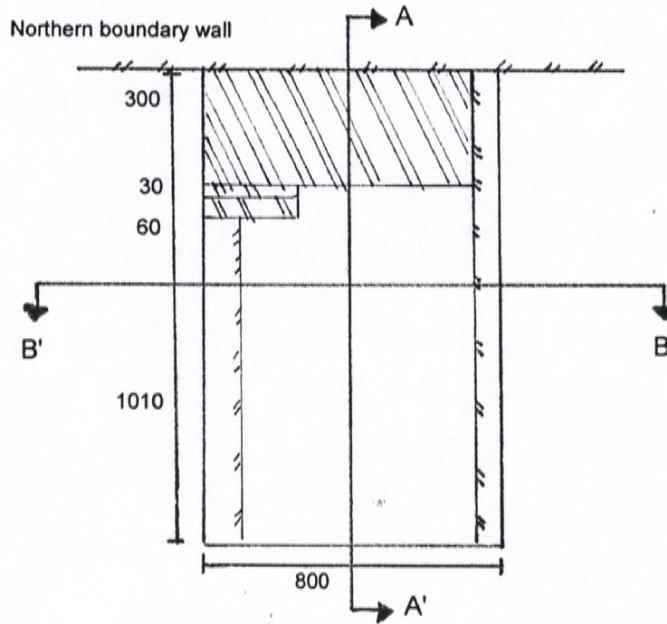
Location

Dates
20/05/2011

Engineer
Price & Myers

Sheet
1/2

PLAN



Remarks:

All dimensions in millimetres

Scale:
1:20

Logged by:
HD

Excavation Method
Manual

Dimensions
1200 x 800 x 3100

Ground Level (mOD)

Client
Durley Investment Corporation

Job Number
J11081

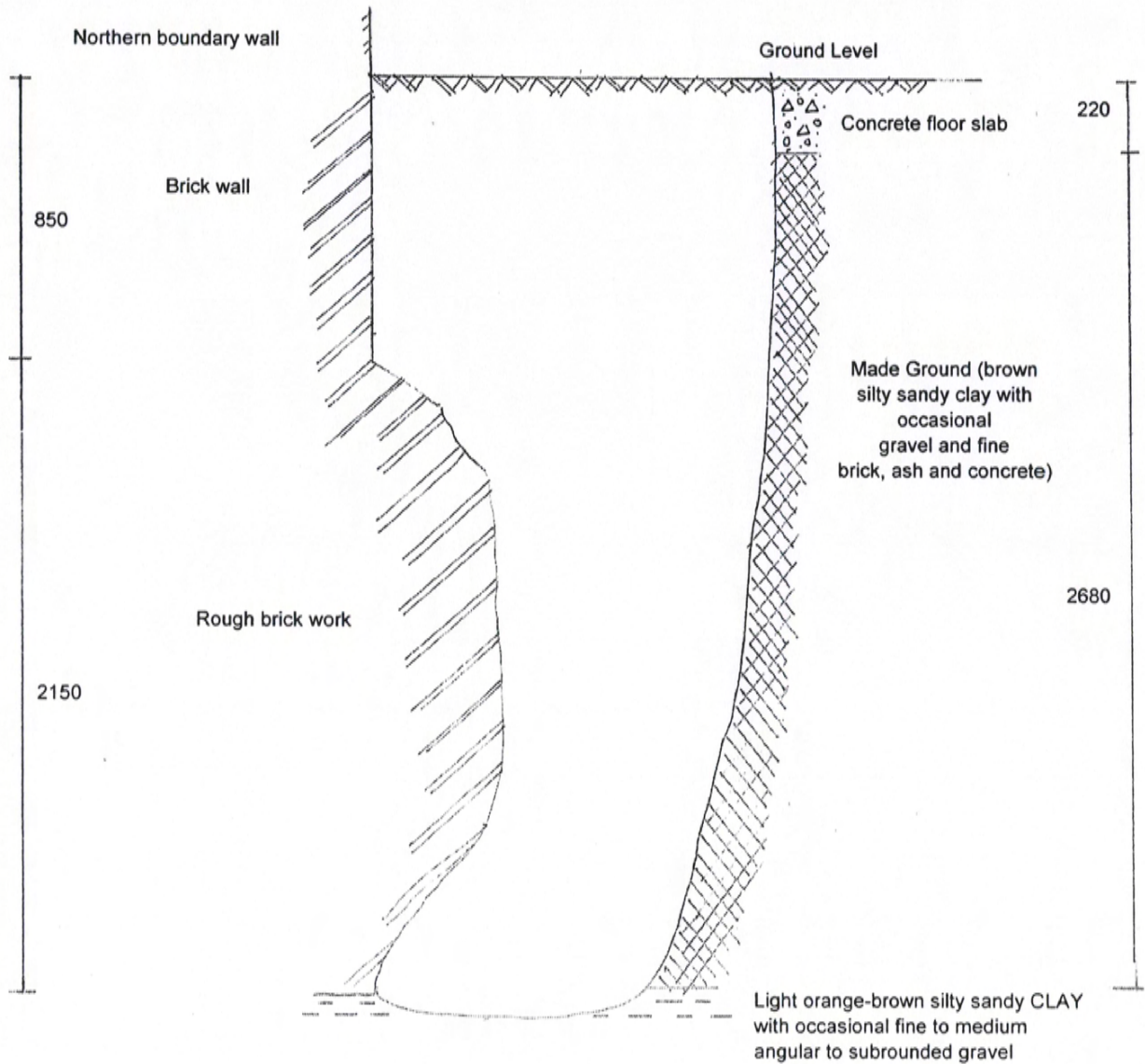
Location

Dates
20/05/2011

Engineer
Price & Myers

Sheet
2/2

SECTION A - A'



Remarks:
All dimensions in millimetres

Scale:
1:20

Logged by:
HD

Site 15-17 Macklin Street, London, WC2B 5NG

Client Durley Investment Corporation

Engineer Price and Myers

Job Number
J11081

Sheet
8/12



View of the footings encountered in Trial Pit No 8, looking north (20/05/2011)

Excavation Method
Manual

Dimensions
1000 x 1600 x 2230

Ground Level (mOD)

Client
Durley Investment Corporation

Job Number
J11081

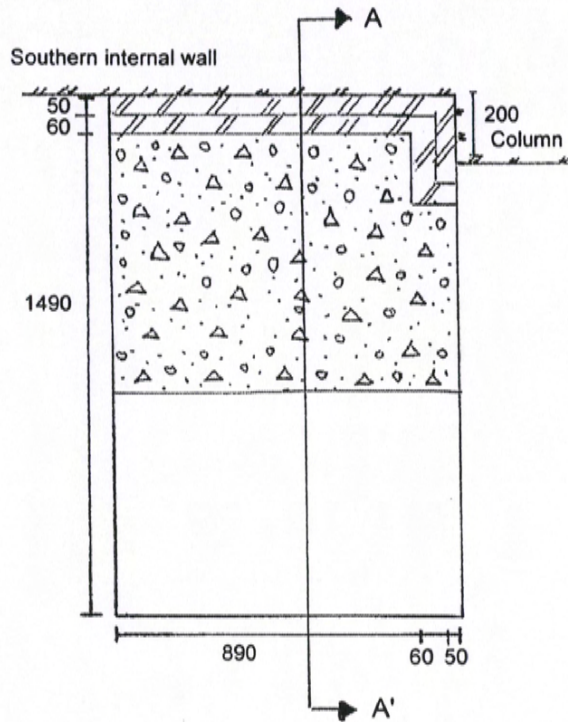
Location

Dates
20/05/2011

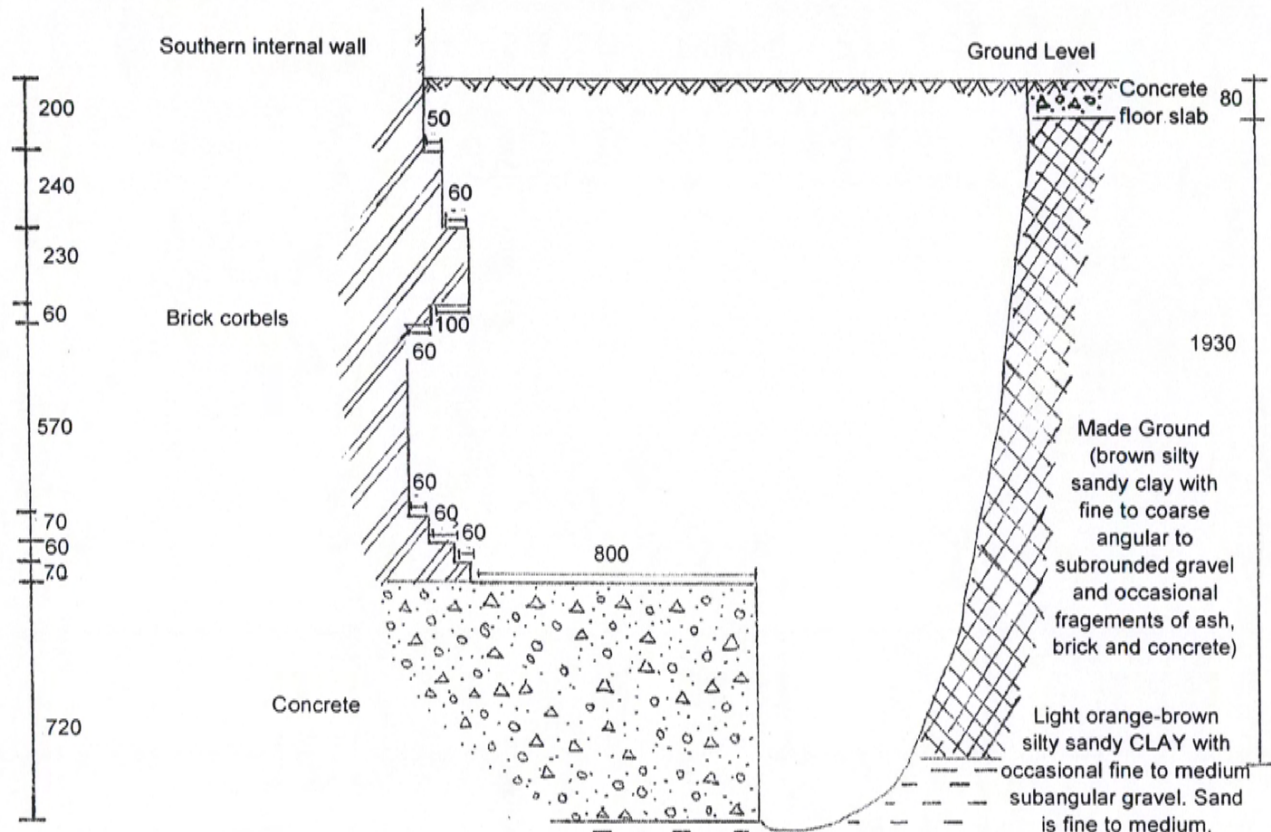
Engineer
Price and Myers

Sheet
1/1

PLAN



SECTION A - A'



Remarks:
All dimensions in millimetres

Scale:
1:20
Logged by:
HD

Site 15-17 Macklin Street, London, WC2B 5NG

Client Durley Investment Corporation

Engineer Price and Myers

Job Number	J11081
Sheet	9/12



View of the footings in Trial Pit No 9, looking south (20/05/2011)