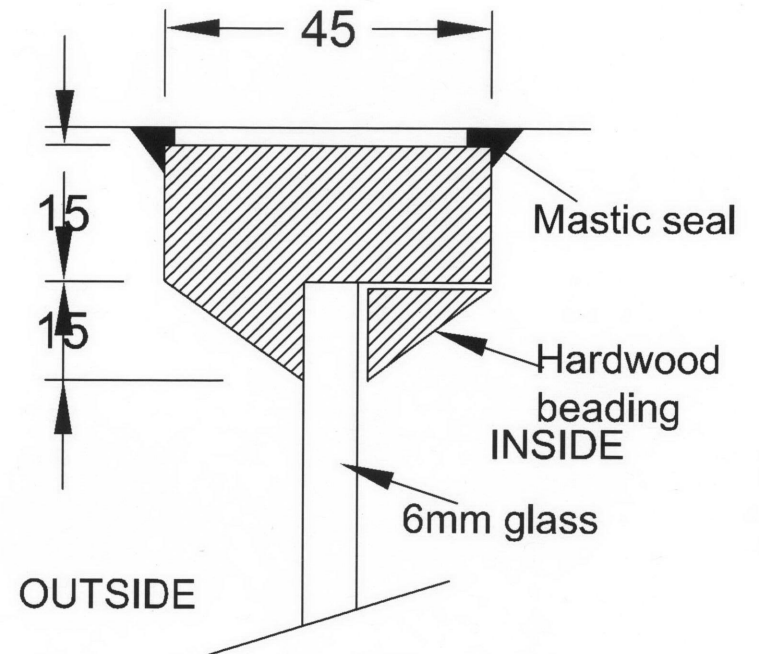


3140 ap

Elevation on Roger Street Windows

All dimensions are to be checked on site prior to any fabrication



Section of proposed Hardwood moulding to replace existing window frames detail to match Visually the existing Roger Street windows

Scale 1 : 1

<b>Charles E. Williams</b> ARCHITECTURAL and PLANNING SERVICES <small>90 Milton Avenue, Barnet, Herts. EN5 2EU          Tel: 0208 440 2398 &amp; Fax: 0208 216 3599</small>			
Project:	No. 1 Doughty Street & No 1 Roger Street London WC 1	Scale:	1 : 20
Drawing Title:	Roger Street Window Detail	Date:	January 2012
Client:	Metropolitan Property Ltd.	Dwg. No.:	03
		REV:	