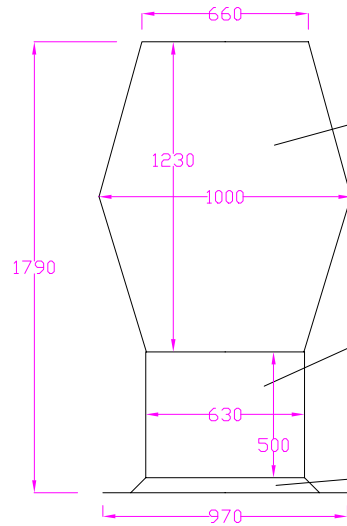


Side

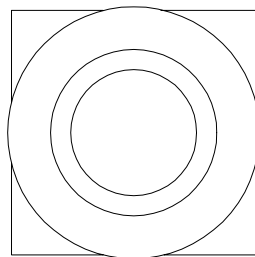


Front

"Efflux" Cowl
Galvanised 1.2mm Mild Steel

Exhaust Duct
Galvanised 1.2mm Mild Steel

"Dektite" Roof Seal
EDPM Rubber Cone
Aluminium Base



Plan

Railings Gallery
Unit 10, Asphaltic Business Park
Regis Road, London NW5 3EW
Tel: 020 7935 1114

Title: "Efflux" Extractor Fan Outlet

Drwg No:
KT06MP

Scale: 1 : 30

Date: March 2012