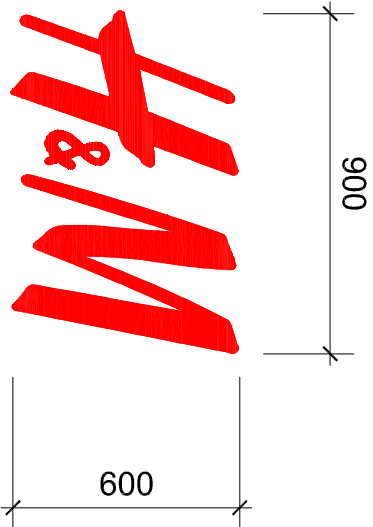


REVISIONS

REV	AMENDMENT	DATE
A	First Issue	23.01.08
B	1st Planning Issue	23.01.08
C	2nd Planning Issue	17.02.12
D	For Planning Submission -	27.02.12
E	Amendment in Signage	16.04.12

1

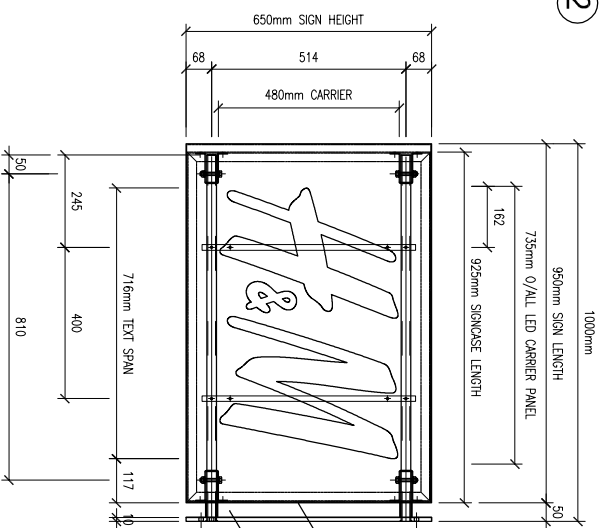


2 nos. H&M LED Fascia Sign individual slimline letters fixed to Fascia behind.  
Powder coated white, matte metal, built up with 80mm returns.  
Faces of logo fabricated in 3 or 5mm thick red acrylic built up with 20mm returns rebated to fit flush with metal returns.

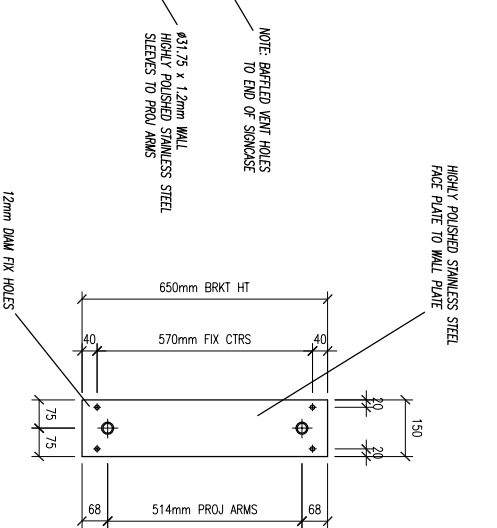


LED FASCIA SIGN EXAMPLE

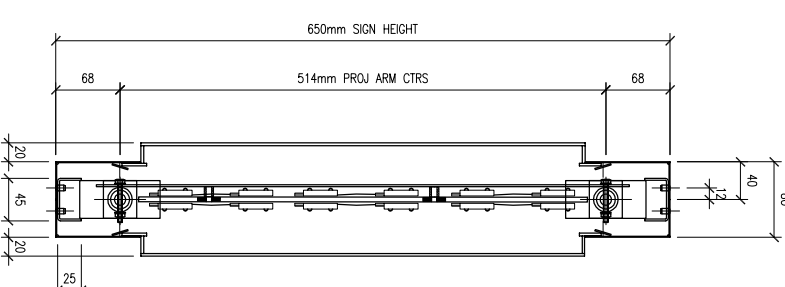
2



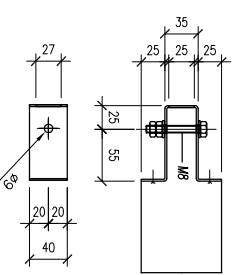
ELEVATION - LAMP SUPPORTS



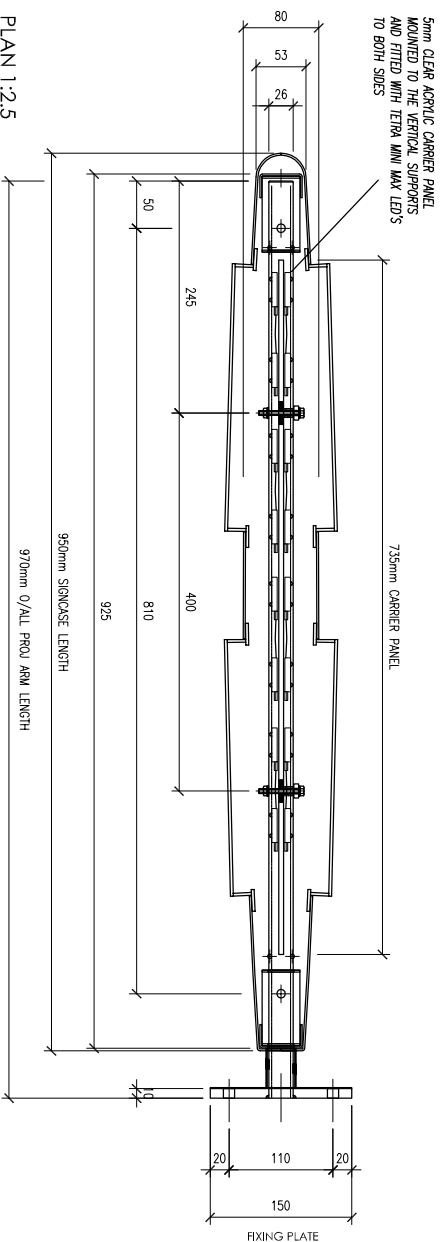
FIXING PLATE DETAIL



SECTION 1:2.5



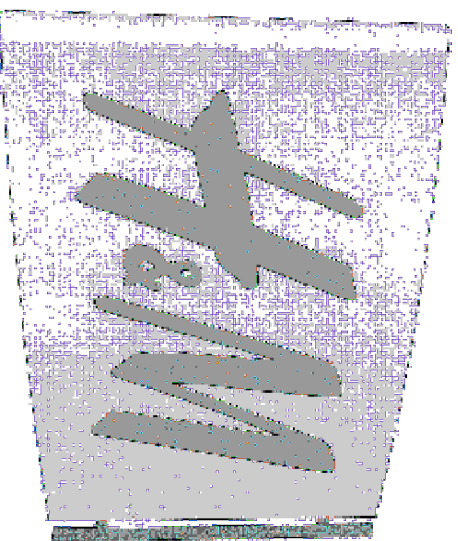
TOP HAT SECTION DETAIL



PLAN 1:2.5

5mm CLEAR ACRYLIC CARRIER PANEL MOUNTED TO THE VERTICAL SUPPORTS AND FITTED WITH TETRA MINI MAX LED'S TO BOTH SIDES

FIXING PLATE



2 no Part illuminated double sided projecting sign individual slimline letters fixed to column behind.  
2mm aluminium sign case sprayed white inside and out. Highly polished Stainless Steel (304 grade) panels laser cut with texts: 'H&M'. Panels finished white inside. Text to be built up from 3mm red 433 acrylic. 26mm dia x 3mm wall Mild Steel Hollow Section projecting arms.  
150mm & 576mm x 10mm Mild Steel Wall Plate.  
All steel work finished white.  
Internally illuminated using Tetra mini max LED's and suitable control gear mounted onto a 5mm clear Acrylic carrier panel bolted onto 5mm clear Acrylic lamp supports.

PLANNING

Proposed



PROJECT  
213-219  
Camden High Street  
London

PROPOSED SIGNAGE  
DETAILS

Terra  
Architectural  
Partnership



10 Joyce Dawson Way  
Thamesmead Town Centre  
London SE28 8RA  
Tel: +44 (0)20 8310 2210  
Fax: +44 (0)20 8312 4008  
enquiries@terraintd.co.uk

DATE  
16.04.2012

PROJECT  
TAP/2111/P-SIG  
E